



3-Piece Direct Mount Ball Valve.

- Full Bore
- A316 CFM Stainless Steel Body
- TFM 1600 Seats
- BSP End Connections
- 1/4" - 4"
- Up to 1000 PSI (68 Bar) to 800 PSI
- High Performance Design

DESCRIPTION

A stainless steel full bore screwed BSP ball valve, that's fully maintainable and perfectly suited for on/off manual or actuation operation. The valve is a three piece design has a ISO mounting pad for direct mounting. The valve is suitable for 1000-800 PSI pressure and has TFM 1600 seats for higher temperatures 185°C @10 Bar (see temperature chart).

Other seat materials and end connections are available.

Design Advantages

ISO 5211 direct mounting pad

Blow - out proof stem

Prevents stem blowing out for maximum safety.

Easy in line maintenance

3 piece body swing out design, allowing easy maintenance.

Repair Kits Readily Available

Options

V Ball for control

Switch fitted for feedback of open and closed position

Spring Return Handle (Dead mans Handle)

Other end connections available

Valve Options	
End Connections	Seat Material
BSP	PTFE TFM1600 TFM4215
NPT	
Socket Weld#40	
Butt Weld #40	
Butt Weld #10	
Butt Weld DIN11850	

STOCKED PRODUCT

All information is sourced from our manufacturer's data and is intended for guidance only - ValvesOnline can accept no liability for changes, omissions or errors.



Description

A full bore, 3 piece fully maintainable ball valve, . Perfectly suited for on/off isolation at temperatures up to 185°C. This valve offers reliable and safe operation. Available in Stainless steel. Easy to operate, maintain and is the valve recommended by engineers, for manual and automated use.

Recommended



Beschreibung

Ein 3-teiliger Kugelhahn mit voller Bohrung und voller Wartung. Perfekt geeignet für die Ein- und Ausschaltung bei Temperaturen bis zu 185°C. Dieses Ventil bietet einen zuverlässigen und sicheren Betrieb. Erhältlich in Edelstahl. Einfach zu bedienen, zu warten und das von Ingenieuren empfohlene Ventil für den manuellen und automatisierten Einsatz.

Empfohlen



Descripción

Una válvula de bola de 3 piezas, totalmente mantenible y totalmente mantenible. Perfectamente adecuado para el aislamiento de encendido / apagado a temperaturas de hasta 185°C. Esta válvula ofrece un funcionamiento confiable y seguro. Disponible en acero inoxidable. Fácil de operar, mantener y es la válvula recomendada por los ingenieros, para uso manual y automatizado.

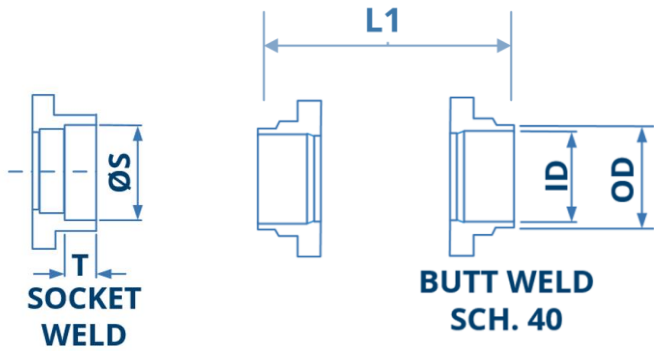
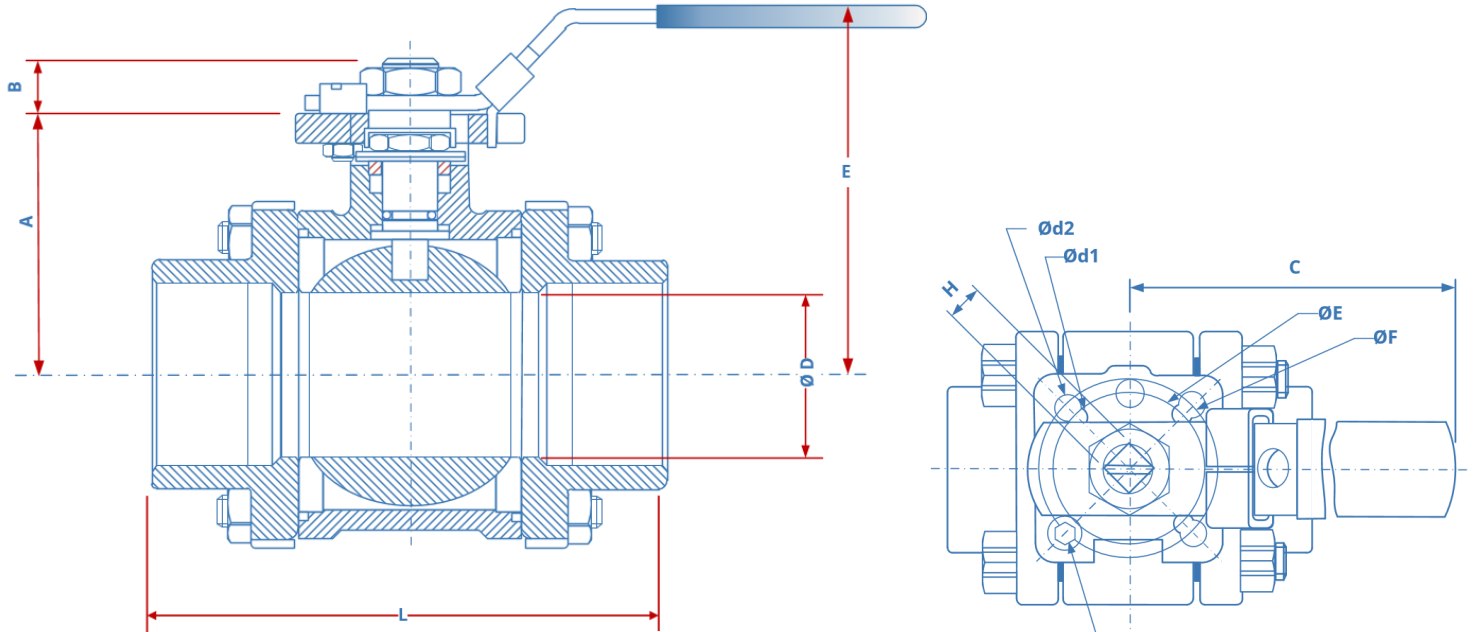
Recomendado



Description

Un robinet à tournant sphérique entièrement maintenable en 3 pièces, à passage intégral. Parfaitement adapté à l'isolation tout ou rien à des températures allant jusqu'à 185°C. Cette vanne offre un fonctionnement fiable et sûr. Disponible en acier inoxydable. Facile à utiliser, maintenir et est la vanne recommandée par les ingénieurs, pour une utilisation manuelle et automatisée.

Conseillé

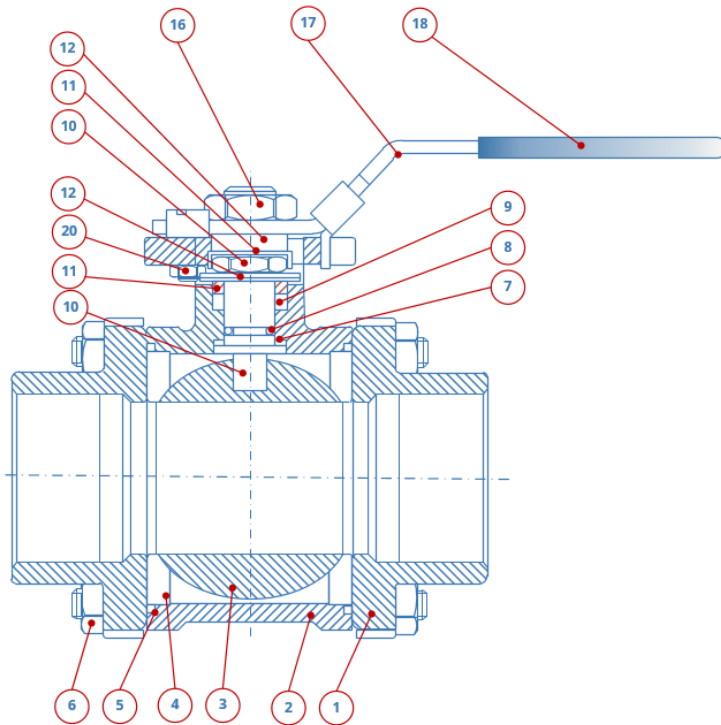


MAX. OPERATING PRESSURE	
BODY RATING NON SHOCK	
1/4" - 2"	UP TO 1000 PSI
2 1/2" - 4"	UP TO 800 PSI

Dimensions															
Size	A	B	C	ØD	d1	d2	E	F	H	L	SW		BW(40#)		
											S	T	OD	ID	L1
1/4"	37	11	130	11	6	6	58	36	9	60.5	14.2	11.1	17	10	60.5
3/8"	37	11	130	12.5	6	6	58	36	9	60.5	17.5	11.1	19	13.1	60.5
1/2"	37	11	130	15	6	6	58	36	9	63.5	21.8	12.7	21.5	15.5	63.5
3/4"	40	11	130	20	6	6	64	36	9	75.5	27.1	14.3	27.5	20.6	75.5
1"	48	14	155	25	6	7	77	42	11	86	33.8	15.9	34.5	26.7	86
1 1/4"	53.5	14	155	32	6	7	83	42	11	96	42.5	17.5	42.8	35.1	104
1 1/2"	63.5	18	205	38	7	9	92	50	14	111	48.7	19.1	49	40.5	117
2"	72	18	205	50	7	9	100	50	14	129	61.1	22.2	61	52.4	138
2 1/2"	92	22	290	65	9	11.3	140	70	7	152.5	73.9	22.2	77	65	170
3"	102	22	290	80	9	11.3	150	70	17	168.5	89.9	25.4	91	80	192
4"	132	26	335	100	11.3	13.5	195	102	22	212.5	115.2	32	115	100	226

EASY TO ACTUATE SEE SKU: PA8805 PNEUMATIC & EA8805 ELECTRIC

All information is sourced from our manufacturer's data and is intended for guidance only - ValvesOnline can accept no liability for changes, omissions or errors.



Material List

NO.	Parts	Materials
1	End Cap	CF8M
2	Body	CF8M
3	Ball	SS 316
4	Seat	PTFE / TFM1600-4215
5	Gasket	TFM
6	Bolts	SUS304
7	Thrust Washer	TFM
8	O-Ring	PEEK
9	Stem Packing	TFM
10	Stem	SS316
11	Gland	SS304
12	Disc washer	TFM
13	Stem Nut	SS304
14	Nut Stop	SS304
15	Space washer	SS304
16	Handle Nut	SS304
17	Handle	SS304
18	Handle Cover	Plastic
19	Stop Pin	SS304
20	Nut	SS304
21	Set Bolt	SS304
22	Lever Head	CF8
23	Lever	Steel Pipe

BV5508 Repair Kits

Size	PTFE	TFM1600	TFM4215
1/4"	RK5508-93951468	RK5508-93951733	RK5508-93953172
3/8"	RK5508-93951469	RK5508-93951734	RK5508-93953173
1/2"	RK5508-93951470	RK5508-93951735	RK5508-93953174
3/4"	RK5508-93951471	RK5508-93951736	RK5508-93953175
1"	RK5508-93951472	RK5508-93951737	RK5508-93953176
1 1/4"	RK5508-93951473	RK5508-93951738	RK5508-93953177
1 1/2"	RK5508-93951474	RK5508-93951739	RK5508-93953178
2"	RK5508-93951475	RK5508-93951740	RK5508-93953179
2 1/2"	RK5508-93951476	RK5508-93951741	RK5508-93953180
3"	RK5508-93951477	RK5508-93951742	RK5508-93953181
4"	RK5508-93951478	RK5508-93951743	RK5508-93953182

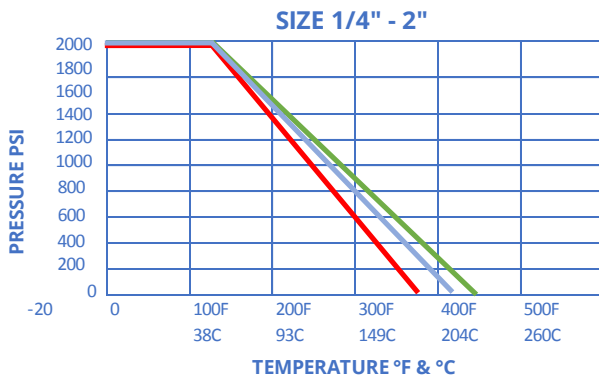
Specification

Pressure range	1/4" - 2" 1000 PSI
	2 1/2" - 4" 800 PSI
Size	Full Bore 1/4" to 4"
Temperature range for 1/4"-2" (above see chart)	PTFE 180°C / TFM 1600 185°C / 200°C TFM 4215
Movement	90°
Cycle life	1,000,000 operations
Diameter Class	Full Port Schedule 40 Pipe
Packing Gland	Self Adjusting TFM
End Connections	BSPP, Socket Weld, Butt Weld



All information is sourced from our manufacturer's data and is intended for guidance only - ValvesOnline can accept no liability for changes, omissions or errors.

Pressure - Temperature Limits



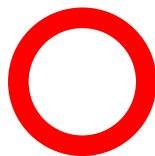
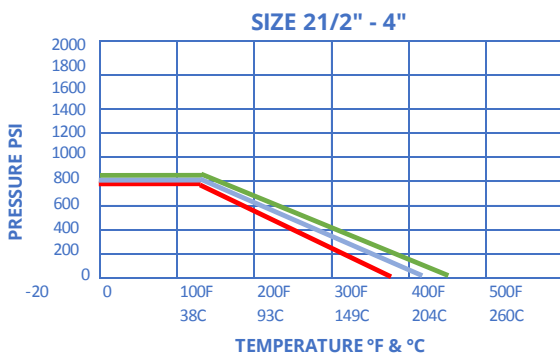
TFM 1600

TFM 4215

PTFE

Colour Denotes Material Only

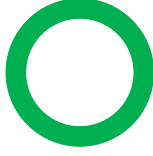
Pressure - Temperature Limits



PTFE



TFM 1600



TFM 4215

Valve Options	
End Connections	Seat Material
BSP	PTFE TFM1600 TFM4215
NPT	
Socket Weld #40	
Butt Weld #40	
Butt Weld #10	
Butt Weld DIN11850	

BREAK-TORQUE VALUE (Nm AT 0 PSI)

SIZE	1/4"	3/8"	1/2"	3/4"	1"	1 1/4"	1 1/2"	2"	2 1/2"	3"	4"
	5	5	6	7	9.5	16	27	30	68	85	105

We recommend that the safety factor above be increased by 30-40% for selecting size of actuator

ISO 5211 MOUNTING

SIZE	1/4"	3/8"	1/2"	3/4"	1"	1 1/4"	1 1/2"	2"	2 1/2"	3"	4"
	F03 & F04	F03 & F04	F03 & F04	F03 & F04	F04 & F05	F04 & F05	F05 & F07	F05 & F07	F07 & F10	F07 & F10	F10 & F12