



Flanged Pneumatically Actuated Steam Ball Valve.

- 1/2" to 4"
- TFM 4215 High Temperature Seats
- Carbon or Stainless steel Body
- PN16 or ANSI 150 End Connections
- Double Acting and Single acting
- 200°C at 13 Bar Maximum
- Fully Maintainable
- Available Online

Description

A serious valve for serious applications. Designed specifically for isolation on steam lines up to 200°C at 13 Bar Max. This two piece investment cast ball valve with TFM 4215 sealing is fitted onto a powerful pneumatic actuator and is the perfect combination meeting today's industry standards. The valve offers a high cycle life and has self-adjusting packing glands. The valve fits directly onto a powerful pneumatic actuator, via a mounting pad ISO 5211 and heat dissipating bracket. Offered in both single and double acting functions with the addition of universal mounting platforms for position feedback, pilot solenoids and gearbox override. End Connections:- PN16 or ANSI 150. Body materials include stainless steel and carbon steel.

Design Advantages

Heavy Duty Body

ATEX Approved

Blow - out proof stem

Prevents stem blowing out for maximum safety.

Easy in line maintenance

2 piece bolted body allowing easy maintenance.

Repair Kits Readily Available

Normally Closed by Spring - NC
Normally Open by Spring - NO
Double Acting - Air to Open and Close



Description

A fully maintainable ball valve, fitted to a powerful Pneumatic spring close/open or double acting actuator.

Perfectly suited for on/off steam isolation at temperatures up to 200°C at 13 Bar. A 30% safety factor is included when sizing, offering reliable and safe operation.



Beschreibung

Ein vollständig wartbares Kugelventil, das an einem leistungsstarken pneumatischen Federschließ- / doppelwirkenden Antrieb angebracht intersect geeignet für die On / Off-Dampfisolierung bei Temperaturen bis 200 ° C bei 13 Bar. Bei der Dimensionierung ist ein Sicherheitsfaktor von 30% enthalten, der einen zuverlässigen und sicheren Betrieb ermöglicht.



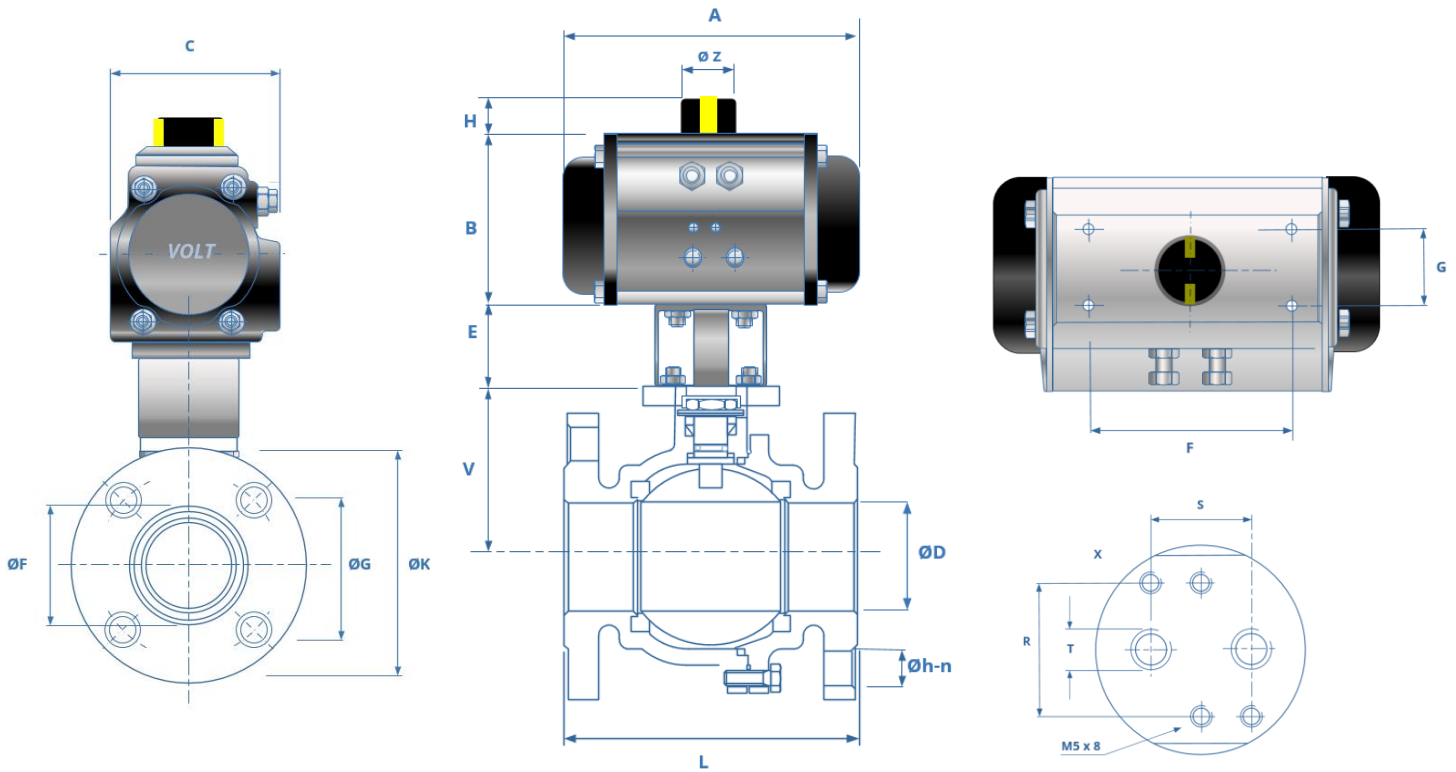
Descripción

Una válvula de bola totalmente mantenible, montada en un potente actuador neumático de cierre / apertura o doble acción. Perfectamente adaptado para el aislamiento de vapor encendido / apagado a temperaturas de hasta 200 ° C a 13 bar. Se incluye un factor de seguridad del 30% cuando se dimensiona, ofreciendo un funcionamiento confiable y seguro.



Description

Un clapet à bille entièrement maintenable, monté sur un puissant actionneur pneumatique à fermeture / ouverture ou à double effet. Parfaitement adapté pour l'isolation marche / arrêt à la vapeur à des températures allant jusqu'à 200 ° C à 13 bars. Un facteur de sécurité de 30% est inclus lors du dimensionnement, offrant un fonctionnement fiable et sûr.



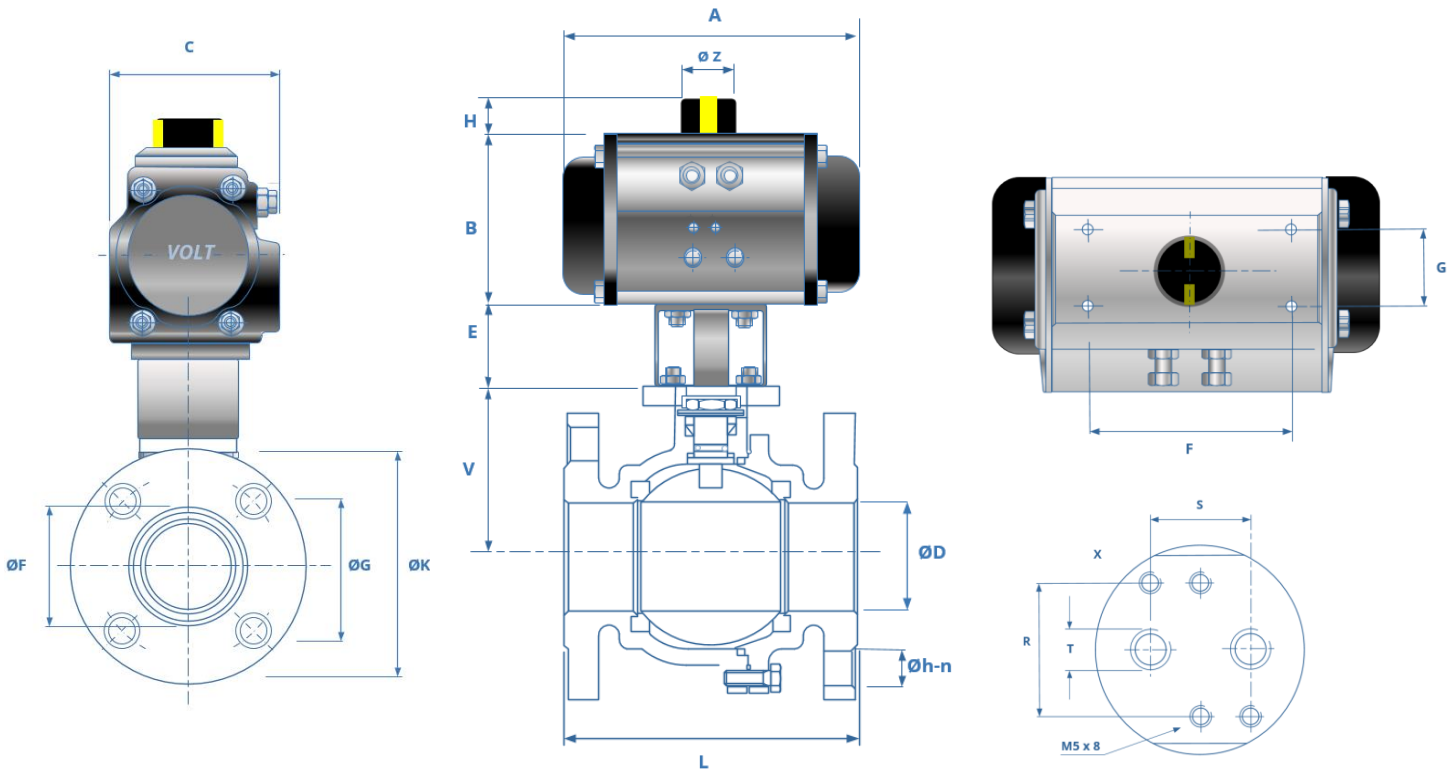
FLANGED PN 16

PN 16 Flanged - Spring Open / or Close - Dimensions mm

Port Connection	Actuator Type	A	B	C	E	F	G	H	L	V	ØD	ØF	ØG	ØK	Øh-n	R	S	T	ØZ	WEIGHT KG
Size	Model																			
1/2"	HP50S	144	73	72	100	80	30	20	115	48	15	45	65	95	14-4	32	24	1/8"	40	3.4
3/4"	HP63S	163	87	85	100	80	30	20	120	53	20	58	75	105	14-4	32	24	1/8"	40	3.8
1"	HP63S	163	87	85	100	80	30	20	125	59	25	68	85	115	14-4	32	24	1/8"	40	5.5
1 1/4"	HP66S	202	87	85	100	80	30	20	130	71	32	78	100	140	14-4	32	24	1/8"	40	7
1 1/2"	HP75S	210	104	96	100	80	30	20	140	76	38	88	110	150	18-4	32	24	1/8"	40	10.3
2"	HP88S	247	116	108	100	80	30	20	150	85	50	102	125	165	18-4	32	24	1/8"	40	13
2 1/2"	HP115S	316	146	141	100	80	30	20	170	93.5	65	122	145	185	18-4	32	24	1/4"	40	24
3"	HP115S	316	146	141	100	80	30	20	180	103	80	138	160	200	18-8	32	24	1/4"	40	31
4"	HP145S	414	159	172	100	80-130	30	30	190	132	100	158	180	220	18-8	32	24	1/4"	40	56

PN 16 Flanged - Double Acting Dimensions mm

Port Connection	Actuator Type	A	B	C	E	F	G	H	L	V	ØD	ØF	ØG	ØK	Øh-n	R	S	T	ØZ	WEIGHT KG
Size	Model																			
1/2"	50	144	73	72	100	80	30	20	115	48	15	45	65	95	14-4	32	24	1/8"	40	3.3
3/4"	50	144	73	72	100	80	30	20	120	53	20	58	75	105	14-4	32	24	1/8"	40	3.7
1"	50	144	73	72	100	80	30	20	125	59	25	68	85	115	14-4	32	24	1/8"	40	4.6
1 1/4"	63	163	87	85	100	80	30	20	130	71	32	78	100	140	14-4	32	24	1/8"	40	5.7
1 1/2"	66	202	87	85	100	80	30	20	140	76	38	88	110	150	18-4	32	24	1/8"	40	8.4
2"	66	202	87	85	100	80	30	20	150	85	50	102	125	165	18-4	32	24	1/8"	40	13
2 1/2"	88	247	116	108	100	80	30	20	170	93.5	65	122	145	185	18-4	32	24	1/4"	40	19
3"	100	268	128	123	100	80	30	20	180	103	80	138	160	200	18-8	32	24	1/4"	40	26
4"	115	316	146	141	100	80	30	30	190	132	100	158	180	220	18-8	32	24	1/4"	40	43



FLANGED ANSI 150

ASME 150 Flanged - Spring Open / or Close - Dimensions mm

Port Connection	Actuator Type	A	B	C	E	F	G	H	L	V	ØD	ØF	ØG	ØK	Øh-n	R	S	T	ØZ	WEIGHT KG
Size	Model																			
1/2"	HP50S	144	73	72	100	80	30	20	108	48	15	35	60.5	89	16-4	32	24	1/8"	40	3.4
3/4"	HP63S	163	87	85	100	80	30	20	117	53	20	43	70	98	16-4	32	24	1/8"	40	3.8
1"	HP63S	163	87	85	100	80	30	20	127	59	25	51	79.5	108	16-4	32	24	1/8"	40	5.5
1 1/4"	HP66S	202	87	85	100	80	30	20	140	71	32	64	89	117	16-4	32	24	1/8"	40	7
1 1/2"	HP75S	210	104	96	100	80	30	20	165	76	38	73	98.5	127	16-4	32	24	1/8"	40	10.3
2"	HP88S	247	116	108	100	80	30	20	178	85	50	92	120.5	152	19-4	32	24	1/8"	40	13
2 1/2"	HP115S	316	146	141	100	80	30	20	190	93.5	65	105	139.5	178	19-4	32	24	1/4"	40	24
3"	HP115S	316	146	141	100	80-130	30	30	203	103	80	127	152.5	190	19-4	32	24	1/4"	40	31
4"	HP145S	414	159	172	100	180	30	30	229	132	100	157	190.5	229	19-8	32	24	1/4"	40	56

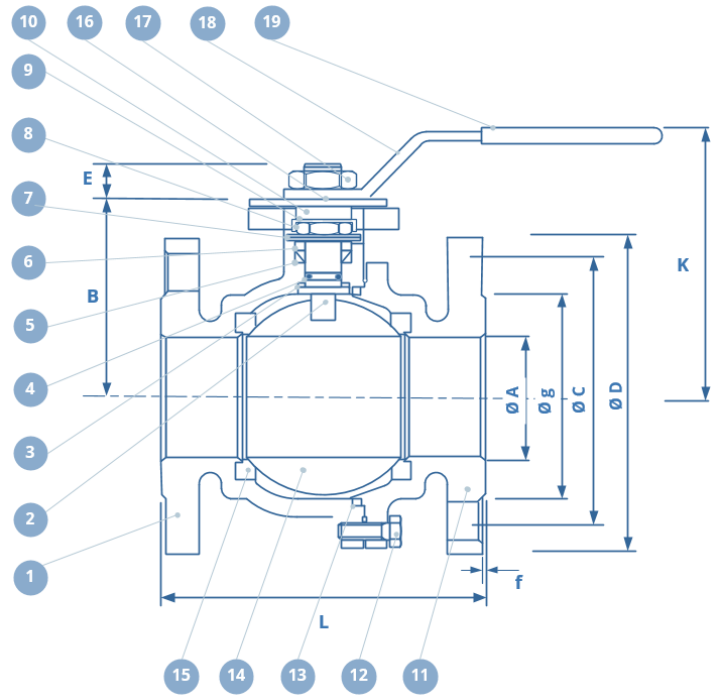
ASME 150 - Double Acting Dimensions mm

Port Connection	Actuator Type	A	B	C	E	F	G	H	L	V	ØD	ØF	ØG	ØK	Øh-n	R	S	T	ØZ	WEIGHT KG
Size	Model																			
1/2"	50	144	73	72	100	80	30	20	108	48	15	35	60.5	89	14-4	32	24	1/8"	40	3.3
3/4"	50	144	73	72	100	80	30	20	117	53	20	43	70	98	14-4	32	24	1/8"	40	3.7
1"	50	144	73	72	100	80	30	20	127	59	25	51	79.5	108	14-4	32	24	1/8"	40	4.6
1 1/4"	63	163	87	85	100	80	30	20	140	71	32	64	89	117	14-4	32	24	1/8"	40	5.7
1 1/2"	66	202	87	85	100	80	30	20	165	76	38	73	98.5	127	18-4	32	24	1/8"	40	8.4
2"	66	202	87	85	100	80	30	20	178	85	50	92	120.5	152	19-4	32	24	1/8"	40	13
2 1/2"	88	247	116	108	100	80	30	20	190	93.5	65	105	139.5	178	19-4	32	24	1/4"	40	19
3"	100	268	128	123	100	80	30	20	203	103	80	127	152.5	190	19-4	32	24	1/4"	40	26
4"	115	316	146	141	100	180	30	30	229	132	100	157	190.5	229	19-8	32	24	1/4"	40	43

ANSI 150 & PN 16

Actuator and Valve Details

Valve	Fully Maintainable
Seat	TFM4215
Temperature	200°C
Pressure	13 Bar
Sizes	1/2" - 4"
Actuator	
Control Function	Normally Closed (NC) Normally Open (NO) Double Acting (DA)
Pilot Pressure	6 - 8 Bar
Pilot Port	G1/4"
Pilot Medium	Compressed Air, filtered, oiled or dry
Body material	Aluminium



ANSI 150 DIMENSIONS mm										
Size	øA	B	øC	E	f	øg	K	L	øD	Weight kg
1/2"	15	48	60.5	11	1.6	35	80	108	89	1.73
3/4"	20	53	70	11	1.6	43	80	117	98	2.13
1"	25	59	79.5	14	1.6	51	90	127	108	2.92
1 1/4"	32	71	89	14	1.6	64	102	140	117	4.02
1 1/2"	40	76	98.5	18	1.6	73	110	165	127	5.9
2"	50	85	121	18	1.6	92	120	178	152	8.72
2 1/2"	65	93.5	140	23	1.6	105	140	190	178	13.33
3"	80	103	153	23	1.6	127	150	203	190	17.03
4"	100	132	191	25	1.6	157	180	229	229	28.98

PN16 DIMENSIONS mm										
Size	øA	B	øC	E	f	øg	K	L	øD	Weight kg
1/2"	15	48	65	11	2	45	80	115	95	2.13
3/4"	20	53	75	11	2	58	80	120	105	2.85
1"	25	59	85	14	2	68	90	125	115	3.72
1 1/4"	32	71	100	14	2	78	102	130	140	5.32
1 1/2"	40	76	110	18	3	88	110	140	150	6.96
2"	50	85	125	18	3	102	120	150	165	9.68
2 1/2"	65	93.5	145	23	3	122	140	170	185	13.49
3"	80	103	160	23	3	138	150	180	200	17.53
4"	100	132	180	25	3	158	180	190	220	25.62

Material List

NO.	Parts	Materials	
		ANSI 150	PN16
1	Body	CF8M	1.4408
		WCB	1.0619
2	Stem	SS316	SS304
3	Thrust washer	RPTFE	
4	O-Ring	PTFE	
5	Stem Packing	PTFE	
6	Gland	SUS304	
7	Disk washer	SS301	
8	Stem Nut	SS304	
9	Nut Stop	SS304	
10	Washer	SUS304	
11	Flanged End	CF8M	1.4408
		WCB	1.0619
12	Bolt	SUS304	
13	Gasket	PTFE	
14	Ball	SS316	SS304
15	Ball Seat	PTFE	RPTFE
16	Stopper Plate	SS304	
17	Handle Nut	SS304	
18	Handle Nut	SS304	
19	Sleeve	PLASTIC	
20	Stop Pin	SS304	
21	Set Bolt	SS304	
22	Lever Head	CF8M	
23	Pipe Handle	STEEL PIPE	

Repair Kits

Ordering Chart

Size	TFM4215
1/2"	93920214
3/4"	93920215
1"	93920216
1 1/4"	93920217
1 1/2"	93920218
2"	93920219
2 1/2"	93920220
3"	93920221
4"	93920222

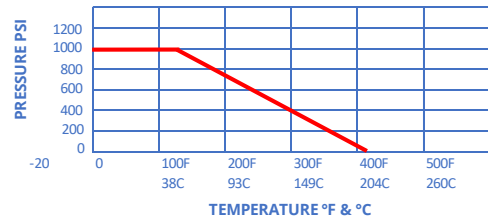


TFM 4215

Pressure - Temperature Limits

TFM4215

SIZE 1/2" - 4"

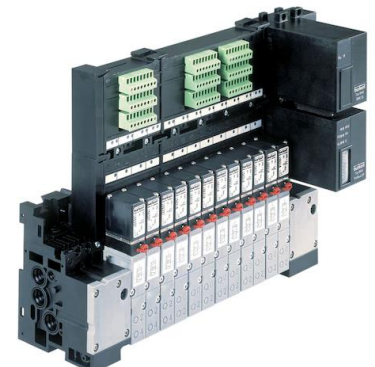


For multi-valve systems ask about our manifolded pilot valves and valve-islands

Pilot Solenoid

Ordering Chart

Voltage	Part Number
24 VDC	AP9026-900024
24 VAC	AP9026-900041
110 VAC	AP9026-900110
230 VAC	AP9026-900230



Combination of fieldbus, pilot valves and I/O modules



Switch Box

Ordering Chart

Voltage	Part Number
24 VDC	VO210
24 VAC	VO210
110 VAC	VO210
230 VAC	VO210