

J+J J4C-S85 ELECTRIC ACTUATOR

MULTI-VOLTAGE 85 NM



The J4C-S85, the updated version of the J3C, electric valve actuator with the following key features:

- Break torque: 90 Nm
- Max. operational torque: 85 Nm
- Multi-voltage: 24-240 VDC / VAC
- On/off & modulating versions
- Failsafe battery backup option
- Manual override & 4 limit switches
- IP67 weatherproof body
- ISO 5211 plate: F05/F07
- DIN 3337 female star drive: 17 mm

DETAILS

The J+J J4C-S85 Series Electric Valve Actuator has a break torque of 90 Nm and a maximum operational torque of 85 Nm.

This smart actuator is multi-voltage (24-240 VDC/VAC) with automatic voltage sensing and is available as standard on/off or modulating function.

Available with or without failsafe battery backup.

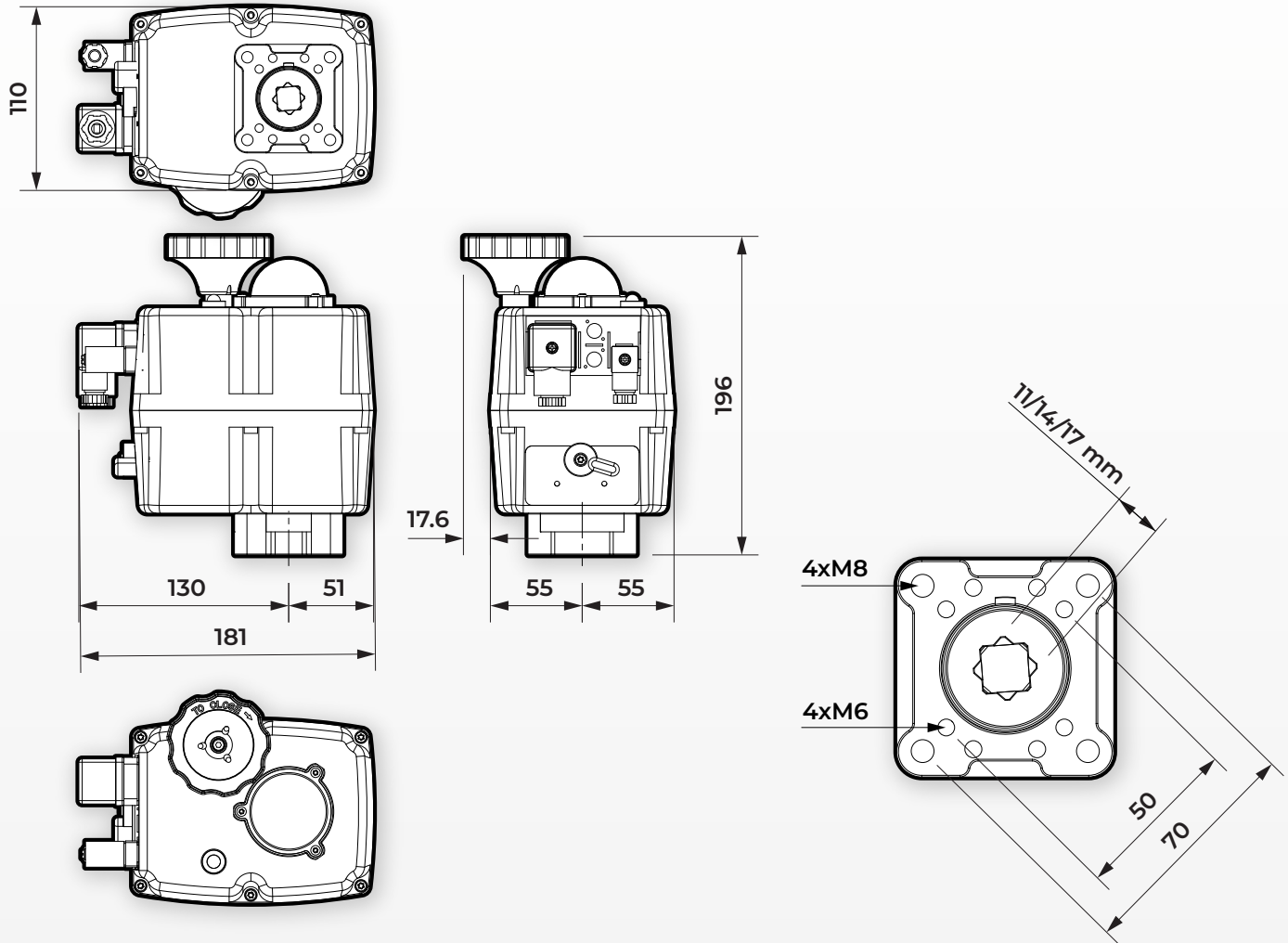
Popular worldwide, the J4C quarter-turn electric actuator series feature an IP67 weatherproof polyamide body with anti-condensation heater.

Protected against over-torque.

Manual override and continual visual actuator status feedback via LED.

J+J J4C-S85 ELECTRIC ACTUATOR

MULTI-VOLTAGE 85 NM



MAIN DIMENSIONS IN MM

FIXING PLATE DETAIL

J+J J4C-S85 ELECTRIC ACTUATOR

MULTI-VOLTAGE 85 NM

TABLE 1: MATERIALS

Part	Material
Housing	Anticorrosive polyamide (lid and body)
Main external shaft	Stainless steel
External screws	Stainless steel
Gears	Steel and polyamide
Visual position indicator	Polyamide
Dome	Polycarbonate
Adjustable internal cams	Polyamide
Electric motor	24 VDC brushless motor
Insulation	Class B
(IEC 60034) Service	S4

TABLE 2: TECHNICAL DETAILS

Model	S85
Voltage VDC/VAC 50/60 Hz -0/+5%	24 or 240 (Patent Pending)
Operation time unload	29 sec./90°
Maximum torque break	90 Nm
Maximum operational torque	85 Nm
Duty rating	75 %
Maximum working angle	0° to 270°
Limit switch	4 SPST NO micro (2 motor stop and 2 confirmations)
Automatic heater	3.5 W
Big plug	EN 175301-803 FORM A
Small plug	DIN 43650/C
Protection IEC 60529 rating	IP67
Temperature	-20°C to +70°C
ISO 5211 plate/Standard	F05/F07
ISO 5211 plate/Optional	-
DIN 3337 Female output drive/Standard	*17 mm
DIN 3337 Female output drive/Optional	*11, *14 mm
Weight	3 kg

TABLE 3: PART NUMBERS

Actuator Function	No Battery Backup	With Failsafe Battery Backup
Standard On/Off	AP9022-999322	AP9022-999323
Modulating	AP9022-999324	AP9022-999325