

POWER GENEX EPR 4-20MA

ELECTRO-PNEUMATIC POSITIONER

Key features:

- Electro-pneumatic positioner
- Die-cast aluminium alloy with corrosion resistant coating
- IP66 rated enclosure
- Pneumatic connections: 1/4" BSP
- Maximum supply pressure: 7.0 bar (100 psi)
- Electrical connections: M20 x 1.5
- 4-20mA input
- Stainless steel gauges
- Ambient temperature range: -20°C to +70°C
- Available options: standard, with 2x limit switches, or with 2x limit switches and a 4-20mA position transmitter



DETAILS

The Power Genex EPR Electro Pneumatic Positioner provides accurate valve positioning for spring return and double acting actuators.

The positioner features an IP66 rated, die-cast aluminium enclosure with a corrosion resistant coating.

The positioner conforms to Namur VDI/VDE 3845 mounting standards, and features a low profile visual position indicator.

Stainless steel gauges are fitted as standard.

Pneumatic connections are 1/4 " BSP rated for a maximum supply pressure of 7.0 bar (100 psi).

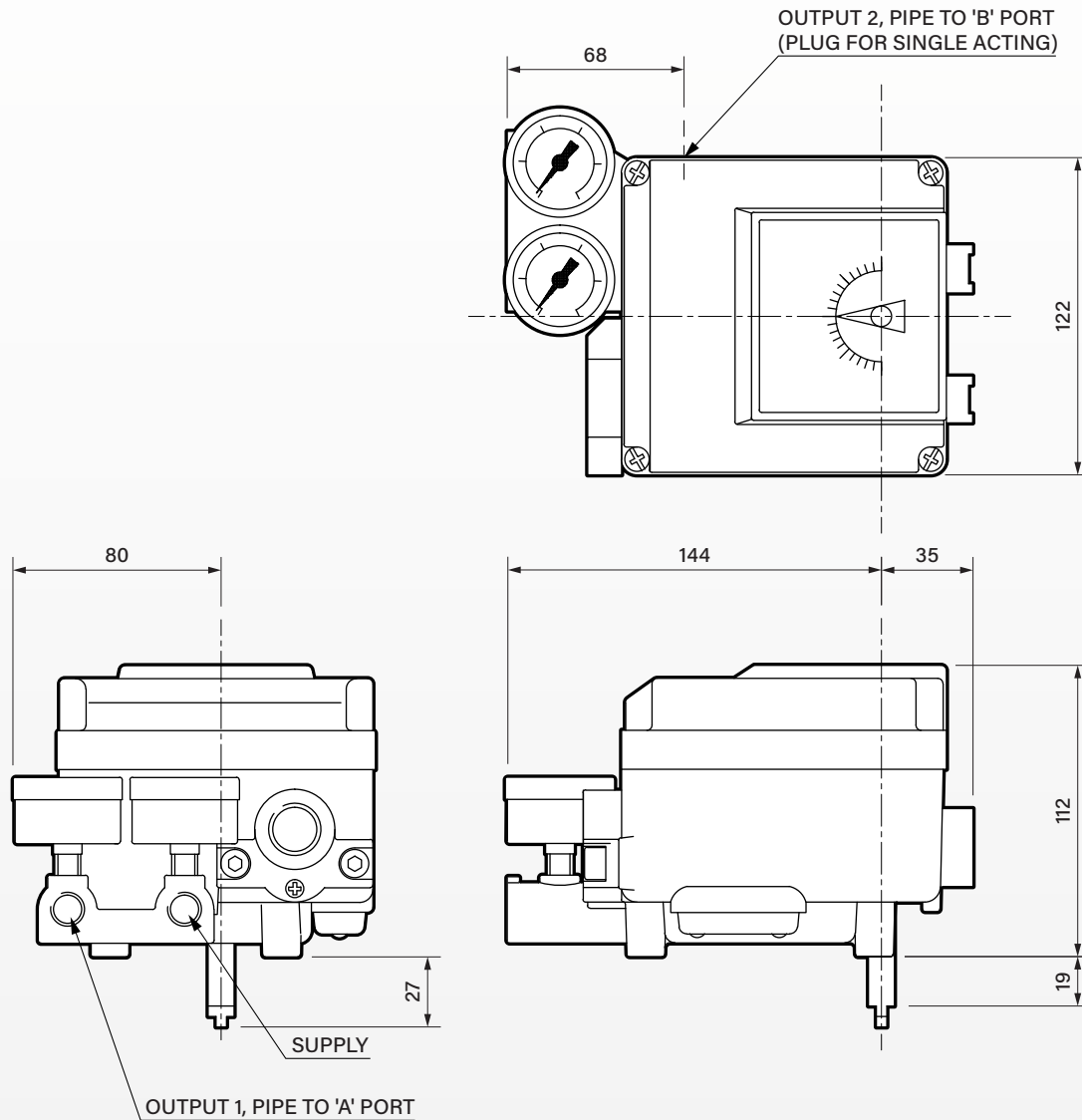
The electrical connections are M20 x 1.5 for a control input signal between 4mA to 20mA.

This positioner is available in standard configuration, or with 2x limit switches, or 2x limit switches and a 4-20mA position transmitter.

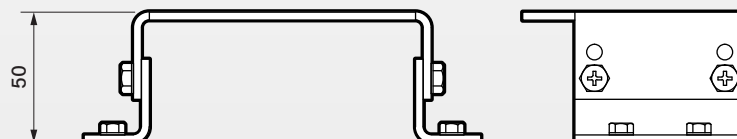
POWER GENEX EPR 4-20MA

ELECTRO-PNEUMATIC POSITIONER

DIMENSIONS IN MM FOR AP9036-100101 AND AP9036-100102



MOUNTING KIT SET FOR 80 X 30 X 20

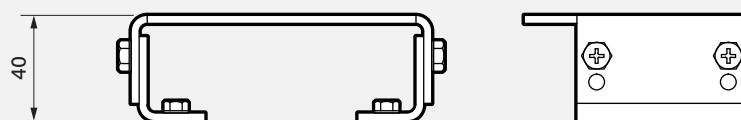
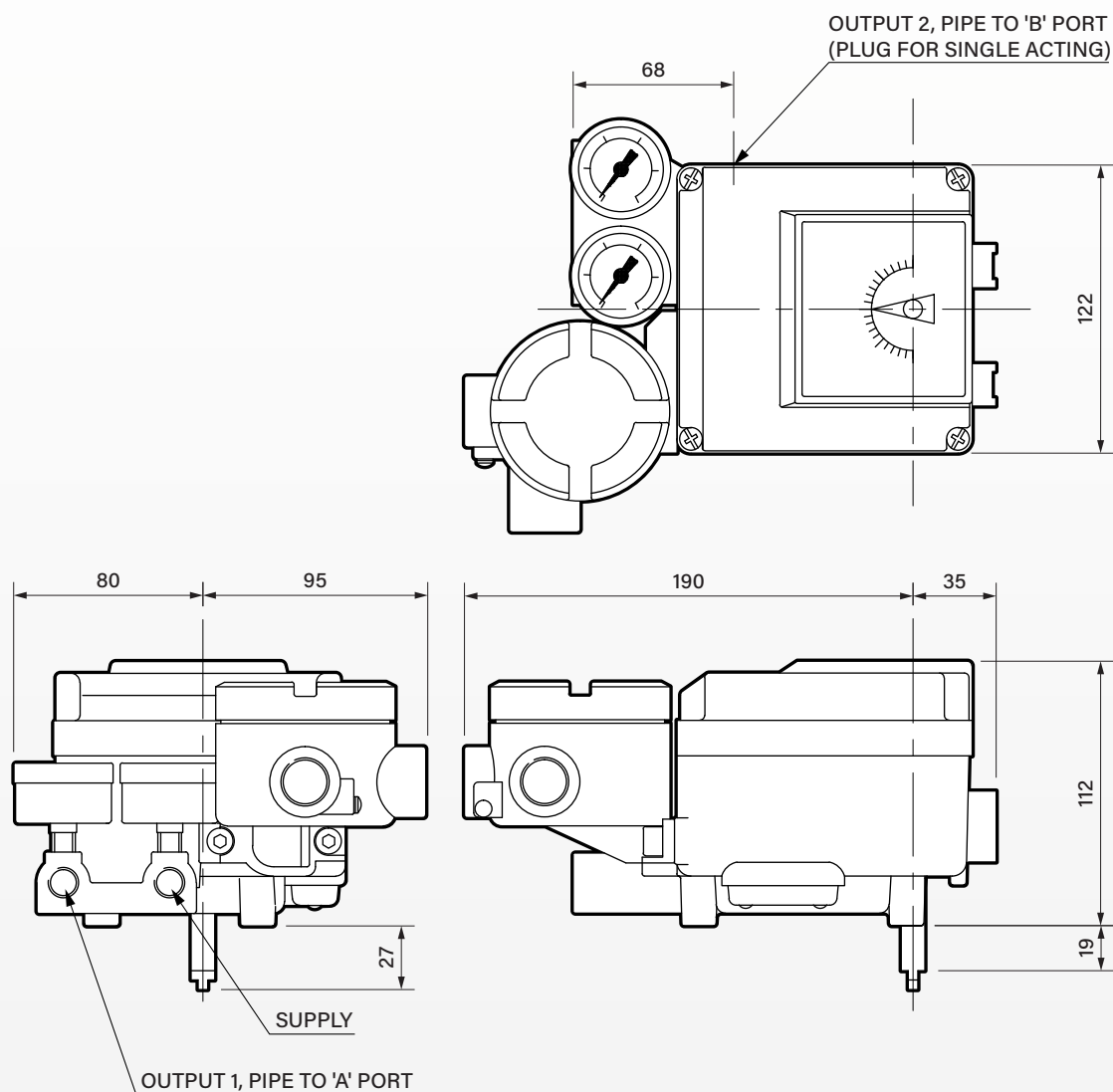


MOUNTING KIT SET FOR 130 X 30 X 30

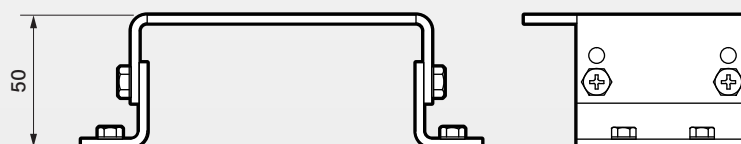
POWER GENEX EPR 4-20MA

ELECTRO-PNEUMATIC POSITIONER

DIMENSIONS IN MM FOR AP9036-100103



MOUNTING KIT SET FOR 80 X 30 X 20



MOUNTING KIT SET FOR 130 X 30 X 30

POWER GENEX EPR 4-20MA**ELECTRO-PNEUMATIC POSITIONER****TABLE 1: PART NUMBERS**

Version	SKU
Standard	AP9036-100101
With 2x limit switches	AP9036-100102
With 2x limits switches and 4-20mA position transmitter	AP9036-100103