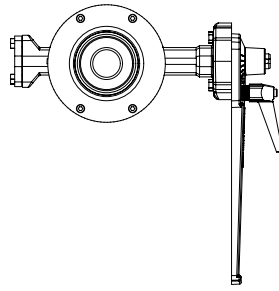


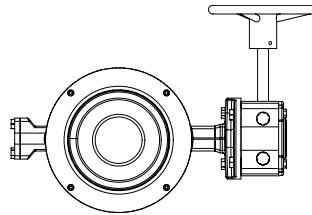
ARI-ZEDOX® - Fig. 120 - Wafer type high performance valve - Double offset

ARI-ZEDOX®  
with hand lever



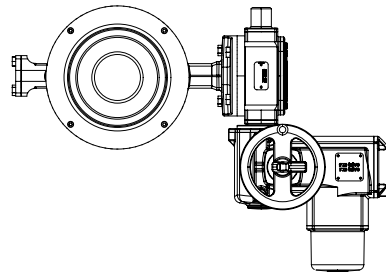
Page 4

ARI-ZEDOX®  
with worm gear



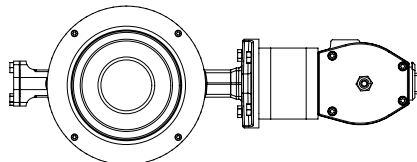
Page 5

ARI-ZEDOX®  
with electric rotary actuator  
Auma



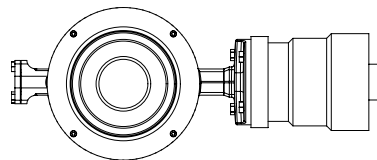
Page 6

ARI-ZEDOX®  
with pneumatic actuator



Page 7

ARI-ZEDOX®  
with hydraulic actuator



on request

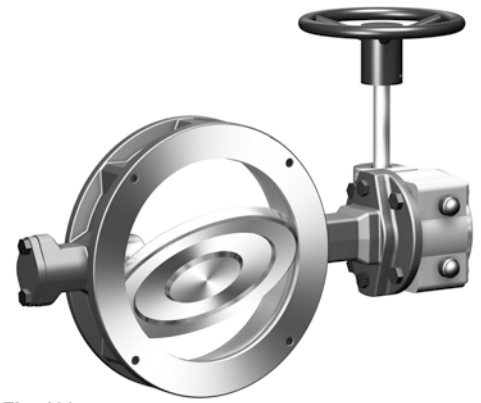


Fig. 120 -  
ARI-ZEDOX® wafer type - short pattern



DN80-DN250  
honeycomb  
shape disc



DN300-DN800  
Disc

**Features:**

- Short pattern, middle pattern and long pattern (K1, K2, K3)
- Cast steel / stainless steel body
- Double offset construction:  
Rotary movement (90°) without wear or friction
- Metallic or PTFE+C sealing
- Bi-directional tightness up to differential pressure 25 bar
- Replaceable seat ring
- Firesafe acc. to ISO 10497/ BS6755 (54.120 certified)
- ATEX (optional)



Wafer type high performance valve (Cast steel, Stainless steel)

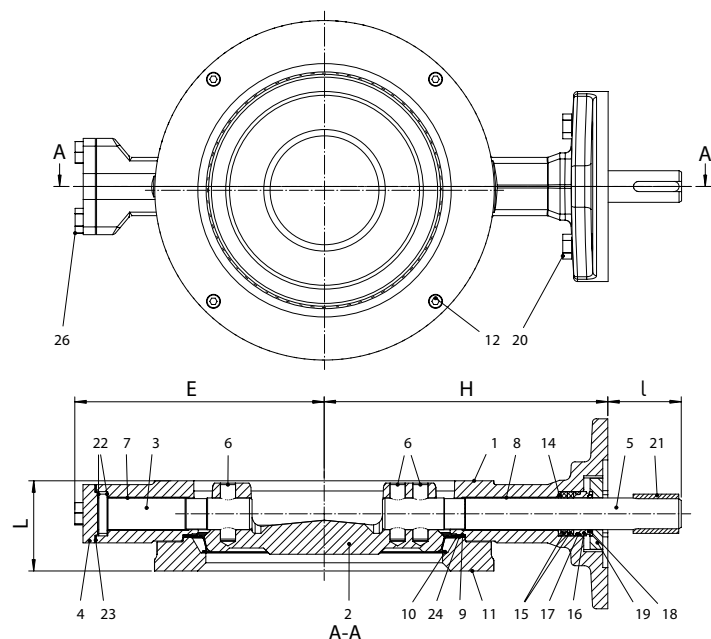


Figure	Nominal pressure	Material	Nominal diameter	Sealing elements
34.120	PN10 - PN25	1.0619+N	DN 80-600	PTFE+C (TS)
			DN 80-800	Stainless steel (CS)
35.120	PN40	1.0619+N	DN 80-200	Stainless steel (CS)
54.120	PN10 - PN25	1.4408	DN 80-600	PTFE+C (TS)
			DN 80-800	Stainless steel (CS)
55.120	PN40	1.4408	DN 80-200	Stainless steel (CS)

Face-to-face dimension acc. to ISO 5752.  
 EN558-1 Series 20 DIN3202 K1 (short pattern)  
 EN558-1 Series 25 DIN3202 K2 (middle pattern)  
 EN558-1 Series 16 DIN3202 K3 (long pattern)

Compatible with ANSI 150 flange

Sealing element:	
• PTFE+C (TS) <sup>1)</sup>	-40°C to 180°C
• Stainless steel (CS)	-40°C to 260°C
<sup>1)</sup> Observe operating limits with sealing PTFE+C, refer to page 3	
Max. differential pressure:	
34.120	• 16 bar - standard
54.120	• 25 bar - option
35.120	• 40 bar - standard
55.120	

Actuation arrangement:	
• Hand lever	• Pneumatic actuator • Hydraulic actuator
• Worm gear	
• Electric actuator	
Sealing leakage test:	
PTFE+C	• DIN EN 12266-1 Leakage rate A
Stainless steel	• DIN EN 12266-1 Leakage rate B

Options on request

Parts				
Pos.	Sp.p.	Description	Fig. 34.120 / 35.120	Fig. 54.120 / 55.120
1		Body	1.0619+N	1.4408
2		Disc	1.4408 (DN80-DN250); 1.4460 (DN300-DN800)	
3		Pivot	1.4460 (DN80-DN300); 1.4418 (DN350-DN800)	
4		Subshaft cover	1.4404	
5		Stem	1.4460 (DN80-DN300); 1.4418 (DN350-DN800)	
6		Pin	1.4462	
7		Bushing	PTFE on stainless steel net	
8		Bushing	PTFE on stainless steel net	
9 / 24	x	Shim <sup>2)</sup>	978-C / SIGRAFLEX HIGH PRESSURE (SIGRAFLEX HIGH PRESSURE for steam version)	
10	x	Seat ring	CS: 1.4404 (optional: 1.4539) TS: PTFE+C; special material on request	
11		Counter flange	1.0425	1.4404; 1.4408 <sup>3)</sup>
12		Socket screw	A4-80	
14		Back-up-ring	1.4404	
15	x	Box packing	Graphit	
16		Shaft seal bushing	1.4404	
17 / 18	x	O-ring	FPM (Not fitted in steam version)	
19		Gland	1.4404	
20		Hexagonal screw	A4-70	
21		Key	1.0503	
22		Axial-washer	PTFE on stainless steel net	
23	x	Bottom cover gasket	978-C / SIGRAFLEX HIGH PRESSURE (SIGRAFLEX HIGH PRESSURE for steam version)	
26		Socket screw	A4-70	
L Spare parts				

<sup>2)</sup> Only for CS-version

<sup>3)</sup> The material depends on size and face-to-face-dimension

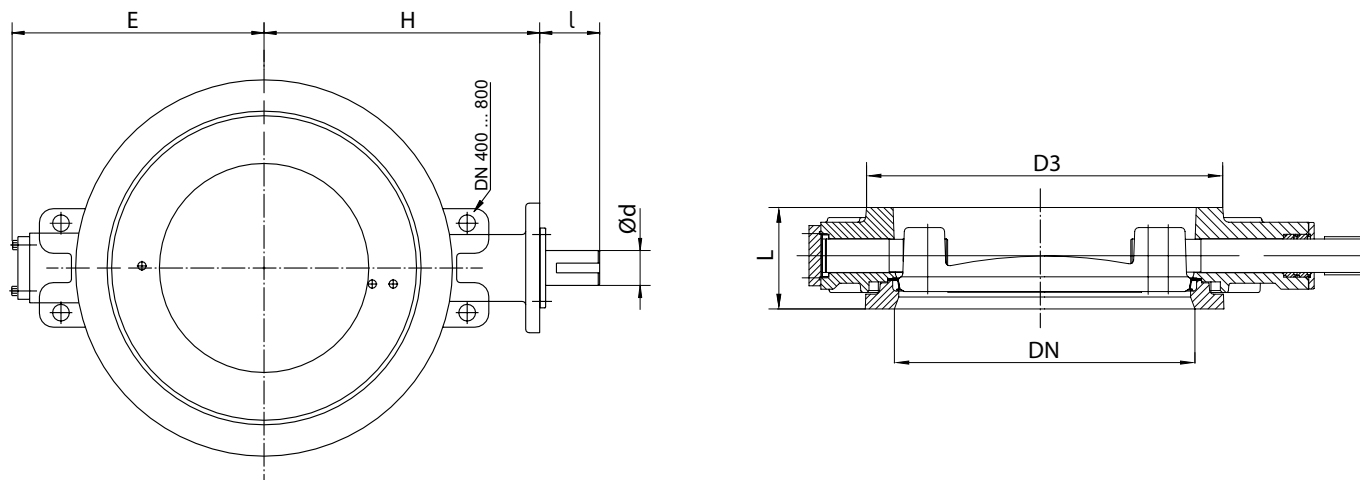
Information / restriction of technical rules need to be observed!

The engineer, designing a system or a plant, is responsible for the selection of the correct valve.

Resistance and suitability must be verified (contact manufacturer for information, refer to Product overview).

TS = PTFE+C (Teflon) seal and **S**tainless steel disc

CS = **C**hromed seating and **S**tainless steel disc



DN	80	100	125	150	200	250	300	350	400	450	500	600	700	800
----	----	-----	-----	-----	-----	-----	-----	-----	-----	-----	-----	-----	-----	-----

Face-to-face dimension acc. to ISO 5752 / DIN EN 558-1			80	100	125	150	200	250	300	350	400	450	500	600	700	800
L Series 20 (short pattern)	(mm)	46	52	56	56	60	68	78	78	102	114	127	154	165	190	
L Series 25 (middle pattern)	(mm)	49	56	64	70	71	76	83	92	-	-	-	-	-	-	
L Series 16 (long pattern; not available in 1.4408)	(mm)	64	64	70	76	89	114	114	127	140	152	152	178	229	241	

Dimensions			80	100	125	150	200	250	300	350	400	450	500	600	700	800
Ød	(mm)	15	20	20	25	25	30	35	40	50	50	60	70	70	90	
D3	(mm)	138	158	188	212	268	320	370	430	482	530	585	685	785	885	
E	(mm)	112	129	141	156	197	230	273	305	331	356	385	445	495	563	
H	(mm)	144	168	179	199	224	269	308	335	380	408	458	530	602	650	
l	(mm)	45	52	52	58	58	63	69	75	86	86	103	119	119	125	
Flange ISO 5211		F07	F07	F07	F10	F12	F12	F14	F14	F16	F16	F16	F16	F25	F30	F30

Weights for wafer type high performance valve			80	100	125	150	200	250	300	350	400	450	500	600	700	800	
1.0619+N	Fig. 34./35.120	short pattern	(kg)	7	8	10	15	25	30	41	52	87	117	160	280	318	454
		middle pattern	(kg)	7	9	11	17	28	33	42	58	-	-	-	-	-	-
		long pattern	(kg)	8	10	12	18	32	43	53	74	106	137	177	299	380	504
1.4408	Fig. 54./55.120	short pattern	(kg)	7	8	10	15	25	30	41	52	87	117	160	280	318	454
		middle pattern	(kg)	7	9	11	17	28	33	42	58	-	-	-	-	-	

Pressure-temperature-ratings		Intermediate values for max. permissible operational pressure can be determined by linear interpolation of the given temperature / pressure chart.													
acc. to Högfors standard	PN	-40 °C	0 °C	50 °C	100 °C	150 °C	200 °C	250 °C	260 °C						
1.0619+N	25 (bar)	25	25	25	23,4	22,2	21	19,2	18,8						
1.0619+N	40 (bar)	40	40	40	37,4	35,5	33,6	30,7	30,1						
acc. to Högfors standard	PN	-40 °C	0 °C	50 °C	100 °C	150 °C	200 °C	250 °C	260 °C						
1.4408	25 (bar)	25	25	25	23,8	21,4	18,9	17,5	17,2						
1.4408	40 (bar)	40	40	40	38,1	34,2	30,2	28,0	27,6						

Operating limits sealing element <sup>1)</sup>		Intermediate values for max. differential pressure can be determined by linear interpolation of the given temperature / pressure chart.													
Sealing PTFE+C (TS)		-40 °C	0 °C	50 °C	100 °C	120 °C	150 °C	180 °C	200 °C	250 °C	260 °C				
		25	25	25	25	25	14,5	4	-	-	-				

<sup>1)</sup> Note additional restrictions of the pressure-temperature-ratings!

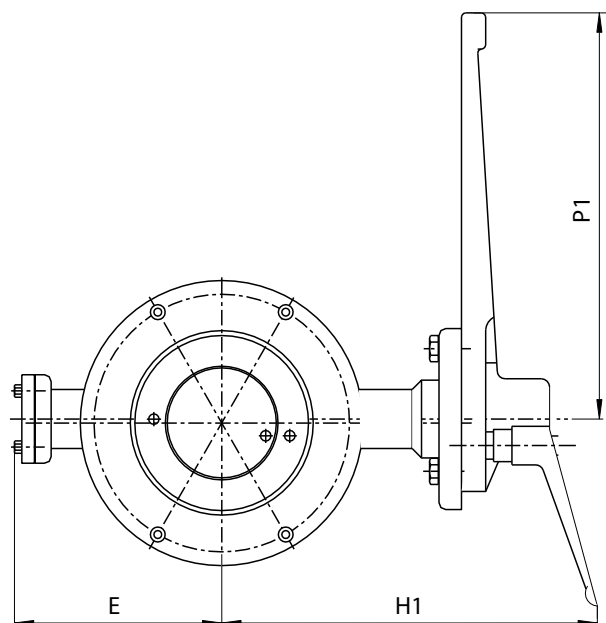
DN	80	100	125	150	200	250	300	350	400	450	500	600	700	800
----	----	-----	-----	-----	-----	-----	-----	-----	-----	-----	-----	-----	-----	-----

Max. differential pressure			80	100	125	150	200	250	300	350	400	450	500	600	700	800
Sealing PTFE+C (TS)	Disc Side	(bar)	25	25	25	25	25	25	16	16	16	16	16	16	-	-
	Shaft Side	(bar)	25	25	25	25	25	25	25	25	16	16	16	16	16	-
	Bi-directional	(bar)	-	-	-	-	-	-	-	-	-	-	-	-	-	-
Sealing stainless steel (CS)	Disc Side	(bar)	40	40	40	40	40	25	25	16	16	16	16	16	16	16
	Shaft Side	(bar)	25	25	25	25	25	25	16	16	16	16	16	16	16	16
	Bi-directional	(bar)	25	25	25	25	25	25	16	16	16	16	16	16	16	16

Operation torque for max. differential pressure 16 bar (bi-directional flow)			80	100	125	150	200	250	300	350	400	450	500	600	700	800	
PN25 <sup>2)</sup>	Sealing PTFE+C	Torque <sup>3)</sup>	(Nm)	70	100	140	190	320	550	850	1300	1800	2400	3400	5500	-	-
	Sealing stainless steel		(Nm)	90	130	180	240	400	700	1100	1600	2200	3000	4200	6800	10000	13000
PN40 <sup>2)</sup>	Sealing stainless steel	(Nm)	135	180	250	285	505	-	-	-	-	-	-	-	-	-	

<sup>2)</sup> max. differential pressure 16bar!

<sup>3)</sup> For steam duty use the next size up

**ZEDOX® wafer type high performance valve with hand lever**


Parts			
Pos.	Sp.p.	Description	Fig. 34./54.120
50	x	Hand lever	
L Spare parts			

DN	80	100	125	150	200 <sup>1)</sup>
----	----	-----	-----	-----	-------------------

Dimensions						
E	(mm)	112	129	141	156	197
H1 (to middle of valve)	(mm)	223	246	260	289	314
P1	(mm)	300	300	300	420	420

Weights with hand lever								
1.0619+N	Fig. 34.120	short pattern	(kg)	8	10	11	17	27
		middle pattern	(kg)	8	10	12	19	30
		long pattern	(kg)	10	11	13	20	34
1.4408	Fig. 54.120	short pattern	(kg)	8	10	11	17	27
		middle pattern	(kg)	8	10	12	19	30

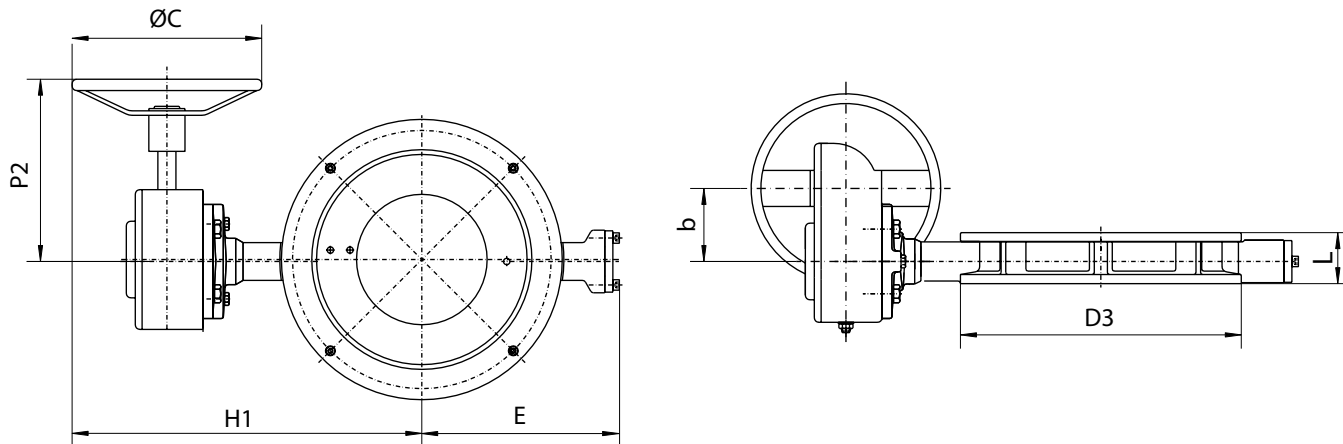
Hand lever not available for PN40

<sup>1)</sup> CS-version is not possible.

**ZEDOX® wafer type high performance valve with worm gear**

Opening and closing of the valves with the handwheel.

The position of the disc can be seen on a position indicator on top of the gear.



Parts			
Pos.	Sp.p.	Description	Fig. 34./35./54./55.120
500	x	Worm gear	
		L Spare parts	

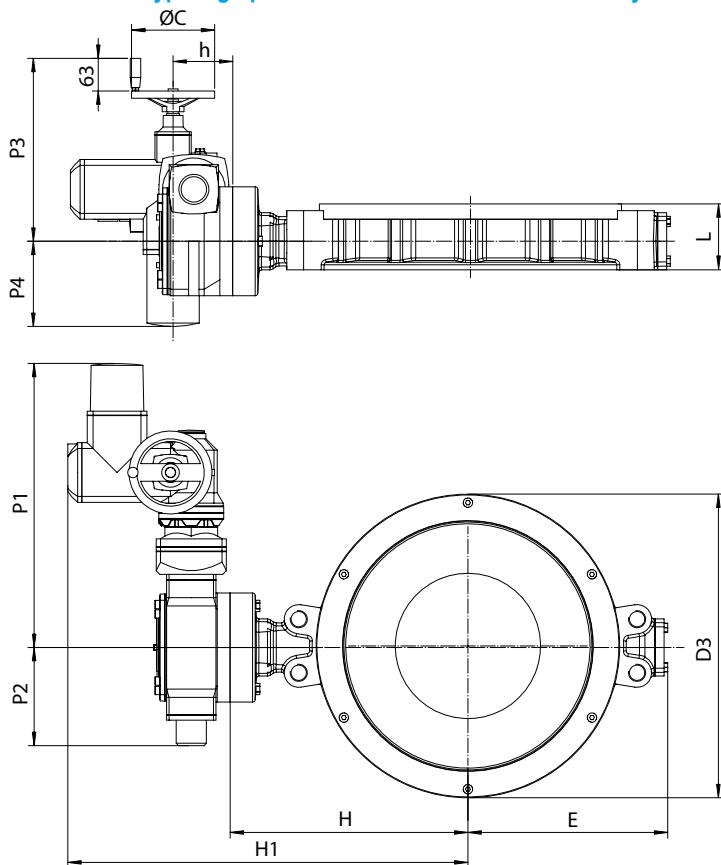
DN	80	100	125	150	200	250	300	350	400	450	500	600	700	800
----	----	-----	-----	-----	-----	-----	-----	-----	-----	-----	-----	-----	-----	-----

Face-to-face dimension acc. to ISO 5752 / DIN EN 558-1															
L Series 20 (short pattern)	(mm)	46	52	56	56	60	68	78	78	102	114	127	154	165	190
L Series 25 (middle pattern)	(mm)	49	56	64	70	71	76	83	92	-	-	-	-	-	-
L Series 16 (long pattern; not available in 1.4408)	(mm)	64	64	70	76	89	114	114	127	140	152	152	178	229	241

Dimensions															
b	(mm)	52	52	52	71	71	71	86	86	130	130	53	182	182	182
ØC	(mm)	200	200	200	200	200	300	400	400	500	500	500	500	500	500
D3	(mm)	138	158	188	212	268	320	370	430	482	530	585	685	785	885
E	(mm)	112	129	141	156	197	230	273	305	331	356	385	445	495	563
H1	(mm)	273	297	308	340	365	460	550	577	685	713	772	839	911	959
P2	(mm)	217	217	217	247	247	282	285	285	387	387	382	500	500	545
Type of gear		AB210-10N	AB210-10N	AB210-10N	AB550N	AB550N	AB550N	AB880N	AB880N	AB2000N	AB2000N	AB2000N	AB680N-PR4	AB680N-PR4	AB680N-PR6

Weights with manual gear Rotork <sup>1)</sup>																	
1.0619+N	Fig. 34./35.120	short pattern	(kg)	11	13	15	25	35	40	58	70	115	146	189	350	388	525
		middle pattern	(kg)	12	13	16	27	37	42	60	76	-	-	-	-	-	-
		long pattern	(kg)	13	14	17	28	42	53	70	91	135	166	206	369	450	572
1.4408	Fig. 54./55.120	short pattern	(kg)	11	13	15	25	35	40	58	70	115	146	189	350	388	525
		middle pattern	(kg)	12	13	16	27	37	42	60	76	-	-	-	-	-	-

<sup>1)</sup> Weight of hand wheel is not included

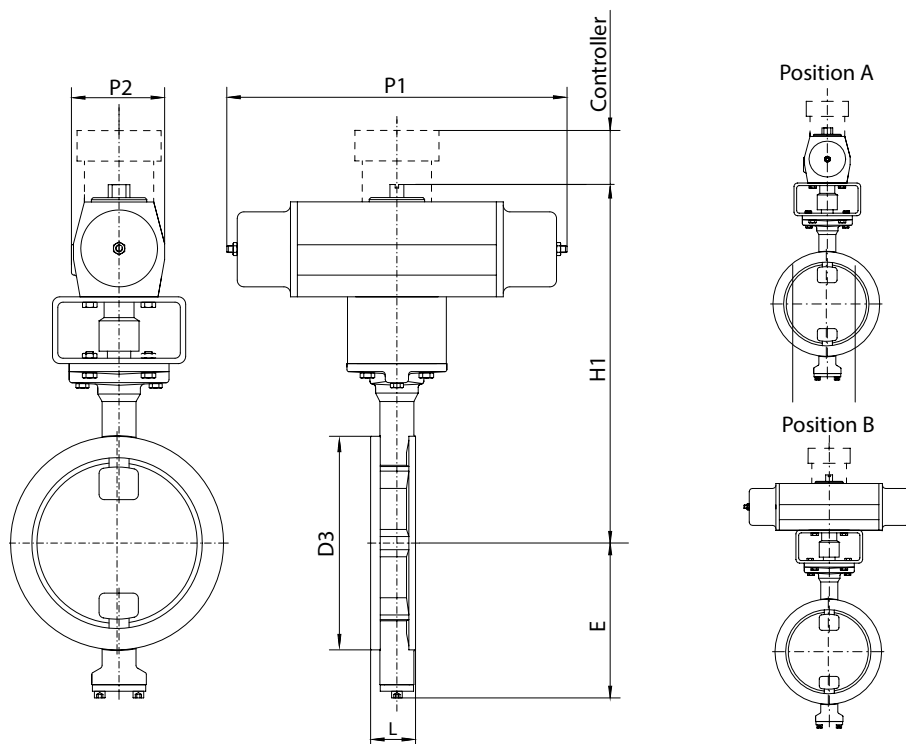
**ZEDOX® Wafer type high performance valve with electric rotary actuator Auma**


DN	80	100	125	150	200	250	300	350	400	450	500	600	700	800
----	----	-----	-----	-----	-----	-----	-----	-----	-----	-----	-----	-----	-----	-----

Face-to-face dimension acc. to ISO 5752 / DIN EN 558-1		80	100	125	150	200	250	300	350	400	450	500	600	700	800
L Series 20 (short pattern)	(mm)	46	52	56	56	60	68	78	78	102	114	127	154	165	190
L Series 25 (middle pattern)	(mm)	49	56	64	70	71	76	83	92	-	-	-	-	-	-
L Series 16 (long pattern; not available in 1.4408)	(mm)	64	64	70	76	89	114	114	127	140	152	152	178	229	241

Dimensions		80	100	125	150	200	250	300	350	400	450	500	600	700	800
ØC	(mm)	160	160	160	160	160	160	200	200	160	160	160	200	160	160
D3	(mm)	138	158	188	212	268	320	370	430	482	530	585	685	785	885
E	(mm)	112	129	141	156	197	230	273	305	331	356	385	445	495	563
h	(mm)	80	80	80	80	85	85	107	107	115	115	115	125	130	130
H	(mm)	144	168	179	199	224	269	308	335	380	408	458	530	602	650
H1	(mm)	422	446	457	477	507	552	612	640	693	721	771	853	930	978
P1	(mm)	393	393	393	393	421	421	428	428	547	547	547	554	698	698
P2	(mm)	98	98	98	98	128	128	133	133	189	189	189	194	290	290
P3	(mm)	302	302	302	302	315	315	334	334	352	352	352	379	412	412
P4	(mm)	214	214	214	214	201	201	202	202	164	164	164	157	175	175
<b>Type of actuator PN25</b> max. differential pressure 16 bar, for CS- and TS-version		SA07.2-GS50.3 (51:1)-F07	SA07.2-GS50.3 (51:1)-F07	SA07.2-GS50.3 (51:1)-F07	SA07.2-GS50.3 (51:1)-F10	SA07.6-GS63.3 (51:1)-F12	SA07.6-GS63.3 (51:1)-F12	SA10.2-GS80.3 (53:1)-F14	SA10.2-GS80.3 (53:1)-F14	SA07.6-GS100.3 (208:1)-F16	SA07.6-GS100.3 (208:1)-F16	SA07.6-GS100.3 (208:1)-F16	SA10.2-GS125.3 (208:1)-F25	SA07.6-GS160.3 (880:1)-F30	SA07.6-GS160.3 (880:1)-F30
Output drive	1/min	22	22	22	22	22	22	22	22	45	45	45	45	90	90
Operating time	s/90°	35	35	35	35	35	35	36	36	69	69	69	69	147	147
<b>Type of actuator PN40</b> max. differential pressure 16 bar, only for CS-version		SA07.2-GS50.3 (51:1)-F07	SA07.2-GS50.3 (51:1)-F07	SA07.2-GS50.3 (51:1)-F07	SA07.2-GS50.3 (51:1)-F10	SA07.6-GS63.3 (51:1)-F12									
Output drive	1/min	22	22	22	22	22									
Operating time	s/90°	35	35	35	35	35									

Weights with electric actuator			80	100	125	150	200	250	300	350	400	450	500	600	700	800	
1.0619+N	Fig. 34./35.120	short pattern	(kg)	34	35	37	42	58	66	97	109	143	188	231	413	529	665
		middle pattern	(kg)	35	36	38	45	61	69	99	115	-	-	-	-	-	-
		long pattern	(kg)	36	37	39	46	65	79	110	131	163	208	248	432	591	715
1.4408	Fig. 54./55.120	short pattern	(kg)	34	35	37	42	58	66	97	109	143	188	231	413	529	665
		middle pattern	(kg)	35	36	38	45	61	69	99	115	-	-	-	-	-	-

**ZEDOX® Wafer type high performance valve with pneumatic rotary actuator AIR-TORQUE**


Type of actuator	P1 (mm)	P2 (mm)
SC00220	304	136
SC00300	333	146,5
SC00450	394,5	166
SC00600	422,5	181
SC00900	474	200
SC01200	528	221,5
SC02000	605	262
SC03000	710	330
SC04000	812	371
SC05000	855	418
SC10000	950	528

DN	80	100	125	150	200	250	300	350	400	450	500
----	----	-----	-----	-----	-----	-----	-----	-----	-----	-----	-----

Face-to-face dimension acc. to ISO 5752 / DIN EN 558-1												
L Series 20 (short pattern)	(mm)	46	52	56	56	60	68	78	78	102	114	127
L Series 25 (middle pattern)	(mm)	49	56	64	70	71	76	83	92	-	-	-
L Series 16 (long pattern; not available in 1.4408)	(mm)	64	64	70	76	89	114	114	127	140	152	152

Dimensions												
D3	(mm)	138	158	188	212	268	320	370	430	482	530	585
E	(mm)	112	129	141	156	197	230	273	305	331	356	385
H1 <sup>1)</sup>	(mm)	401	445	475	570	619	718	841	895	1128	1156	1206

Type of actuator for max. differential pressure 16 bar <sup>2)</sup>												
Spring closes flow from disc side actuating pressure actuator 5 bar	TS	SC00220-5/6	SC00450-4	SC00450-5/6	SC00600-5/6	SC01200-5	SC02000-5	SC3000-5	SC4000-5/6	SC10000-4	SC10000-4/5	on request
	CS	SC00300-5/6	SC00450-5	SC00600-5/6	SC00900-5	SC01200-5/6	SC02000-5/6	SC4000-5	SC05000-5/6	SC10000-4	SC10000-5/6	
Spring closes flow from disc side actuating pressure actuator 6 bar	TS	SC00220-5/6	SC00300-6	SC00450-5/6	SC00600-5/6	SC01200-5	SC02000-5	SC3000-5	SC4000-5/6	SC05000-6	SC10000-4/5	on request
	CS	SC00300-5/6	SC00450-5	SC00600-5/6	SC00900-5	SC01200-6	SC02000-6	SC4000-5	SC05000-5/6	SC10000-4	SC10000-5/6	
Spring closes flow from shaft side actuating pressure actuator 5 bar	TS	SC00220-4/5	SC00300-5	SC00450-4/5	SC00600-4/5	SC00900-5/6	SC02000-4	SC03000-4	SC04000-4/5	SC05000-5	SC10000-4	SC10000-5/6
	CS	SC00220-5/6	SC00450-4	SC00450-5/6	SC00600-5/6	SC001200-5	SC02000-5	SC03000-5/6	SC04000-5/6	SC10000-4	SC10000-4/5	on request
Spring closes flow from shaft side actuating pressure actuator 6 bar	TS	SC00220-4/5	SC00300-5	SC00450-4/5	SC00450-6	SC00900-5/6	SC02000-4	SC02000-6	SC04000-4/5	SC05000-5	SC10000-4	SC10000-5/6
	CS	SC00220-5/6	SC00450-4	SC00450-5/6	SC00600-5/6	SC001200-5	SC02000-5	SC03000-5/6	SC04000-5/6	SC05000-6	SC10000-4/5	on request

Weights with pneumatic actuator <sup>1)</sup>														
1.0619+N	Fig. 34./35.120	short pattern	(kg)	21	29	34	53	74	106	198	233	343	373	416
		middle pattern	(kg)	21	29	35	55	76	109	199	239	-	-	-
		long pattern	(kg)	23	30	36	56	80	119	210	254	362	392	432
1.4408	Fig. 54./55.120	short pattern	(kg)	21	29	34	53	74	106	198	233	343	373	416
		middle pattern	(kg)	21	29	35	55	76	109	199	239	-	-	-

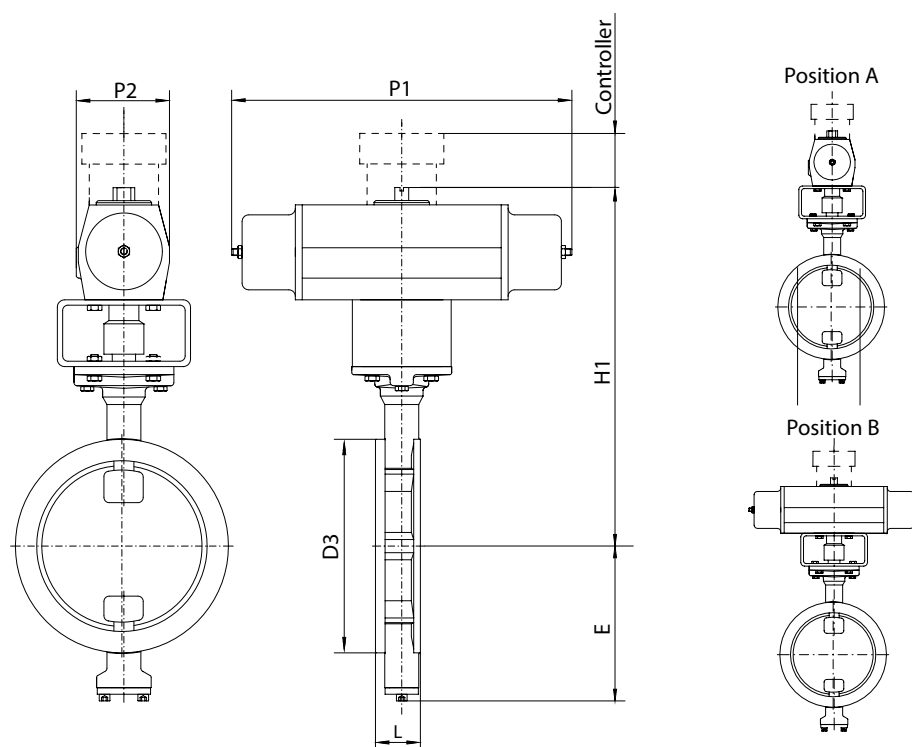
For steam duty use the next actuator up

<sup>1)</sup> with largest actuator option

<sup>2)</sup> other differential pressures on request

Actuator bigger than DN500 on request

ZEDOX® Wafer type high performance valve with pneumatic actuator Rotork RC



DN	80	80 (PN40)	100	125	150	200	250	300	350	400 <sup>2)</sup>	450 <sup>2)</sup>	500 <sup>2)</sup>
----	----	-----------	-----	-----	-----	-----	-----	-----	-----	-------------------	-------------------	-------------------

Face-to-face dimension acc. to ISO 5752 / DIN EN 558-1													
L Series 20 (short pattern)	(mm)	46	46	52	56	56	60	68	78	78	102	114	127
L Series 25 (middle pattern)	(mm)	49	49	56	64	70	71	76	83	92	-	-	-
L Series 16 (long pattern; not available in 1.4408)	(mm)	64	64	64	70	76	89	114	114	127	140	152	152

Dimensions													
D3	(mm)	138	138	158	188	212	268	320	370	430	482	530	585
E	(mm)	112	129	141	156	197	230	273	305	331	356	385	388
H1	(mm)	389	389	413	424	474	612	647	901	975	1045	1038	1088
P1	(mm)	375	570	570	570	570	655	1020	1020	1020	1020	1700	1700
P2	(mm)	144	144	144	144	144	220	220	220	220	220	380	380
Type of actuator spring closes <sup>1)</sup>		RC250-SR	RC260-SR	RC260-SR	RC260-SR	RC260-SR	RC270-SR	RC280-SR	RC88-SR	RC88-SR	RC88-SR	RCC100	RCC100
Type of actuator double acting <sup>1)</sup>		RC230-DA	RC230-DA	RC240-DA	RC240-DA	RC250-DA	RC260-DA	RC260-DA	RC270-DA	RC280-DA	RC280-DA	RC280-DA	RC88-DA

Weights with pneumatic actuator															
1.0619+N	Fig. 34./35.120	short pattern	(kg)	23	29	31	34	39	78	106	185	196	236	632	675
		middle pattern	(kg)	24	30	31	35	41	81	109	186	202	-	-	-
		long pattern	(kg)	25	31	32	36	42	85	119	197	218	255	652	692
1.4408	Fig. 54./55.120	short pattern	(kg)	23	29	31	34	39	78	106	185	196	236	632	675
		middle pattern	(kg)	24	30	31	35	41	81	109	186	202	-	-	-

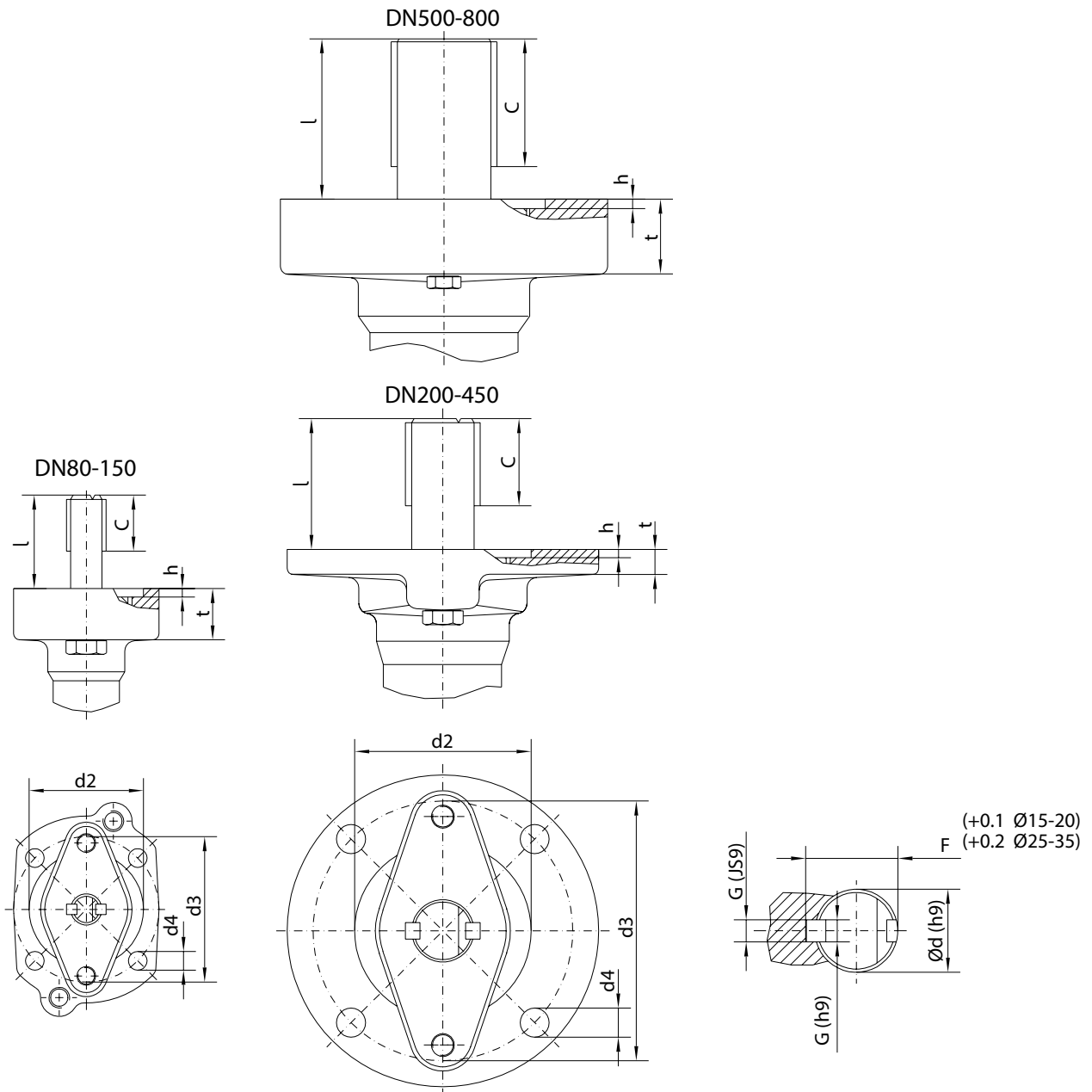
<sup>1)</sup> At air pressure 6 bar

<sup>2)</sup> Δ P max = 16 bar

Actuator bigger than DN500 on request



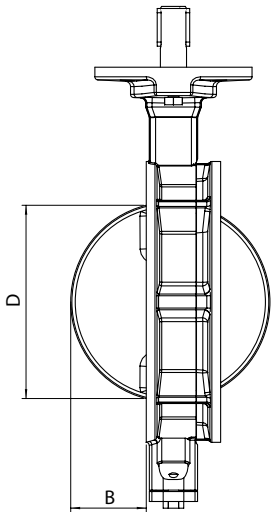
Actuator flange connection, with 2 parallel keys 180° rotated



DN		80	100	125	150	200	250	300	350	400	450	500	600	700	800
Connection EN ISO 5211		F07			F10	F12		F14		F16		F25	F30		
C	(mm)	27	34	34	38	38	42	47	52	62	62	82	92	92	127
Ød	(mm)	15	20	20	25	25	30	35	40	50	50	60	70	70	90
d2	(mm)	55			70	85		100		130		200	230		
d3	(mm)	70			102	125		140		165		254	298		
n x d4	(mm)	4x9			4x11	4x14		4x18		4x22		8x18	8x22		
F	(mm)	17,3	22,8	22,8	28,3	28,3	33,3	38,3	43,3	53,3	53,3	64,4	74,9	74,9	95,4
G	(mm)	5	6	6	8	8	8	10	12	14	14	18	20	20	25
h	(mm)	4												6	
l	(mm)	45	52	52	58	58	63	69	75	86	83	103	119	119	125
t	(mm)	24	24	24	27	12	15	15	20	17	38	48	48	52	55

Kvs-value / Zeta-value															
DN		80	100	125	150	200	250	300	350	400	450	500	600	700	800
Kvs-value	(m <sup>3</sup> /h)	187	291	609	888	1944	3498	4900	7200	11000	16000	18500	25500	30000	37500
Zeta-value	--	1,87	1,89	1,0	1,03	0,68	0,51	0,54	0,46	0,34	0,26	0,29	0,32	0,43	0,47

Difference between disc outside-diameter and face-to-face															
DN		80	100	125	150	200	250	300	350	400	450	500	600	700	800
B	(mm)	20	27	38	50	73	97	110	138	150	172	192	219	260	300
D	(mm)	66	83	108	134	185	236	280	333	378	429	475	567	665	759





## myValve® - Your Valve Sizing-Program.

myValve® is a powerful software tool that not only helps you size your system components; it also gives you instant access to all other data about the selected product, such as order information, spare parts drawings, operating instructions, data sheets, etc., whenever you need it.


**Contents:**
**Module ARI-high performance valve ZEDOX-calculation**

- Sizing of flow quantity Kv, volume flow Q, pressure drop p, sound level; Selecting the valve size with given capacity; Selection of the actuator.
- Calculation of torque for actuators in flow from shaft side and flow from disc side.

**Media:**
**Integrated media-data bank (more than 160 media) with conditions:**

- Vapours / gases
- Steam (saturated and superheated)
- Liquids

**Special features:**

- Project administration of the calculation and product data incl. spare part drawings concerning to project and tag number.
- Direct output or calculation and product data in PDF format.
- Product data could be taken for a direct order.
- SI- and ANSI-units with direct conversion to another data bank.
- Settings with over pressure or absolute pressure.
- All ARI valves are integrated in a data bank.
- Direct access concerning to the product on data sheets, operating instructions, pressure-temperature-diagram and spare part drawings
- Operation in company networks possible (no complex installations on individually PC's necessary).
- Extensive catalogue extending over several product groups.

**System Requirements:**

Windows operating systems, Linux, etc.