



Clamp Ended Hygienic Manual Butterfly Valve - Bardiani

- Economic and Cost effective
- Plain Weld, Clamp & RJT End Options
- AISI 316L Stainless Steel (1.4404)
- Sizes DN10 – DN150
- Choice of Handle
- EPDM (Std) Viton Seal Options
- Valve Can Be Actuated
- 10 Bar (145 psi) Max. Pressure

DESCRIPTION

Valve

A high quality hygienic butterfly valve, manufactured by Bardiani. Offered with various end connections and choice of seal material. Body and disc in AISI 316L (1.4404) stainless steel. Surface finish as standard Ra 0.8 µm. Available as a manual butterfly valve with a plastic 5 position handle or a stainless steel 4-position handle and for automatic operation a pneumatic actuator can be fitted.

Seal Options

EPDM – Standard
Viton (FKM)
HNBR

End Connections

DIN, SMS, IDF, BS (RJT), Clamp, Flange

Operators

4 - position Pull lever in 304 St. St.
5 - Position Plastic handle
Pneumatic actuation

Easy to Order

Using our unique selector tool you can build your perfect valve, actuator and accessory combination with ease.

Valve Certification



Description

This manual butterfly valve type VVF is suitable for isolation and throttling of process pipeline fluids. Available with many end, seal and operating options. Offered in sizes from DN10 to DN150. This valve offers excellent quality, long life and affordability.



Beschreibung

Diese manuelle Absperrklappe vom Typ WF eignet sich zum Isolieren und Drosseln von Prozessleitungsflüssigkeiten. Erhältlich mit vielen End-, Dichtungs- und Betriebsoptionen. Wird in Größen von DN10 bis DN150 angeboten. Dieses Ventil bietet hervorragende Qualität, lange Lebensdauer und Erschwinglichkeit.



Descripción

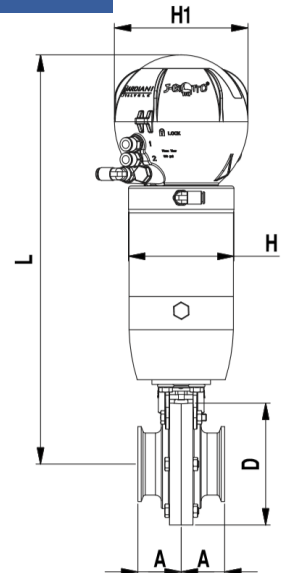
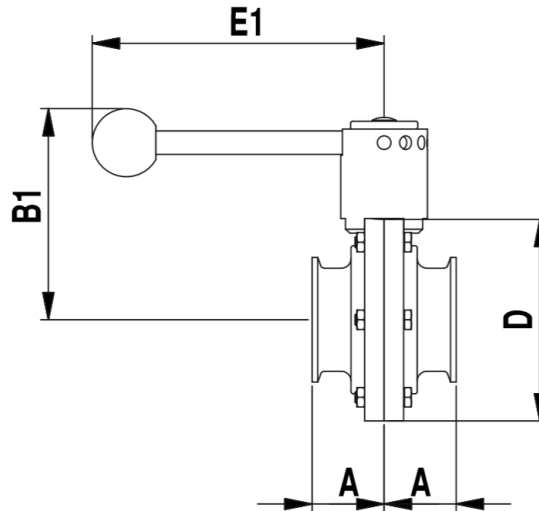
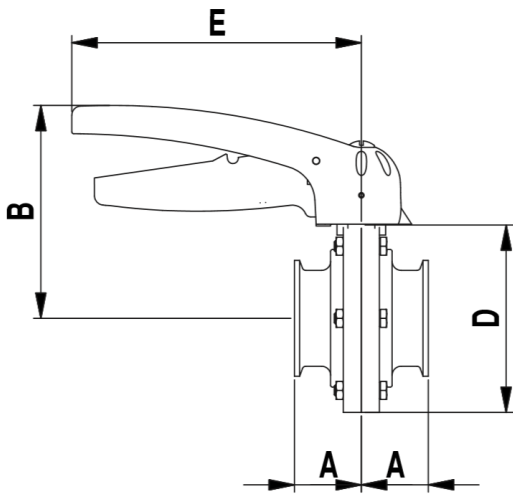
Esta válvula de mariposa manual tipo VVF es adecuada para el aislamiento y estrangulamiento de fluidos de tuberías de proceso. Disponible con muchas opciones de extremo, sello y operación. Disponible en tamaños desde DN10 hasta DN150. Esta válvula ofrece una excelente calidad, larga vida útil y asequibilidad.



Description

Cette vanne papillon manuelle de type WF convient à l'isolation et à l'étranglement des fluides de pipeline de process. Disponible avec de nombreuses options d'extrémité, de joint et de fonctionnement. Offert dans des tailles de DN10 à DN150. Cette vanne offre une excellente qualité, une longue durée de vie et un prix abordable.

CLAMP ENDS



DN	A	B	B1	D	E	E1	H	H1	L
1"	35	107	97	80	160	150	90	112	331
1"1/2	35	109	103	92	160	150	90	112	337
2"	37	112	109	104	160	150	90	112	343
2"1/2	41	126	119	120	160	150	105	112	356
3"	43	131	128	130	160	150	105	112	364
4"	51.5	147	138	162	160	150	105	112	374
6"	90.5		161	230	-	219	167	145	504



Operators

- 5 - Position Plastic handle
- 4 - position Pull lever in 304 St. St.

Technical Details	
Sizes from DN10 - DN150	Imperial and Metric DIN, SMA, IDf, BS (RJT), CLAMP
Wetted Parts	AISI 316L (1.4404)
Seal/Liner Materials	EPDM (STD), FKM, HNBR
Max Pressure	10 Bar (145 psi)
Temperatures Max - EPDM figures based on air	120°C (248°F)
Temperatures Min - EPDM figures based on air	-10°C (14°F)
Finish on surfaces in contact with the product	Ra 0.8 µm

All information is sourced from our manufacturer's data and is intended for guidance only - Valves Online can accept no liability for changes, omissions or errors.