

# BF4691

# Valves<sup>®</sup> O N L I N E

## ECONOMY WRAS APPROVED

## LUGGED AND TAPPED

## BUTTERFLY VALVE

### Key features:

- Ductile iron body
- 316 stainless steel disc
- EPDM liner
- Sizes: 1 1/2" to 12"
- Lockable lever and throttling notch plate or gearbox
- Fits PN16 flanges
- WRAS approved



### DETAILS

An economy lugged and tapped butterfly valve with a ductile iron body, 316 stainless steel disc and EPDM liner.

Available in sizes: 1-1/2" to 10" with lockable lever and throttling notch plate, and up to 12" with gearbox.

WRAS approved.

Suitable to fit on PN16 flanges.

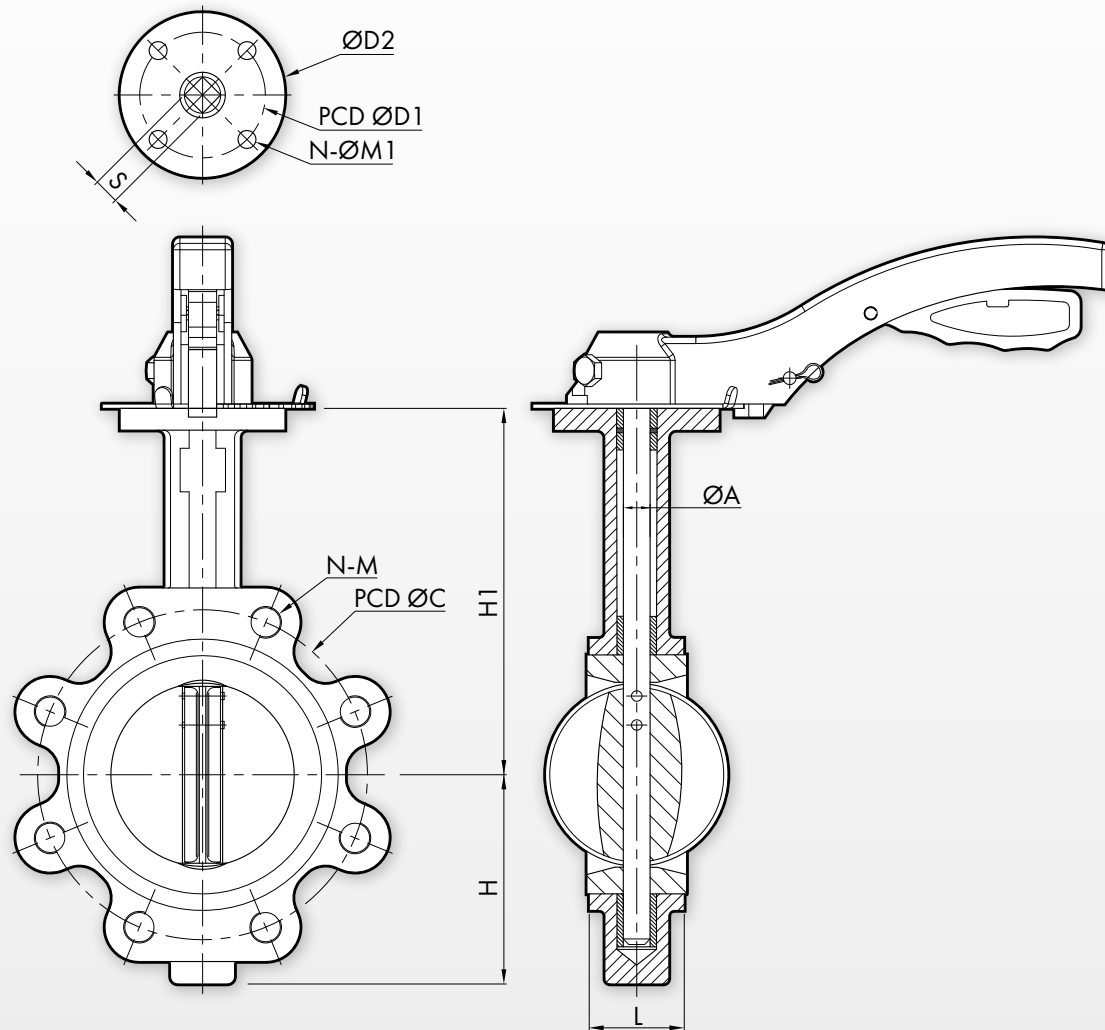
Working temperature range from -20°C to +120°C and maximum working pressure of 16 bar.



## ECONOMY WRAS APPROVED

## LUGGED AND TAPPED

## BUTTERFLY VALVE



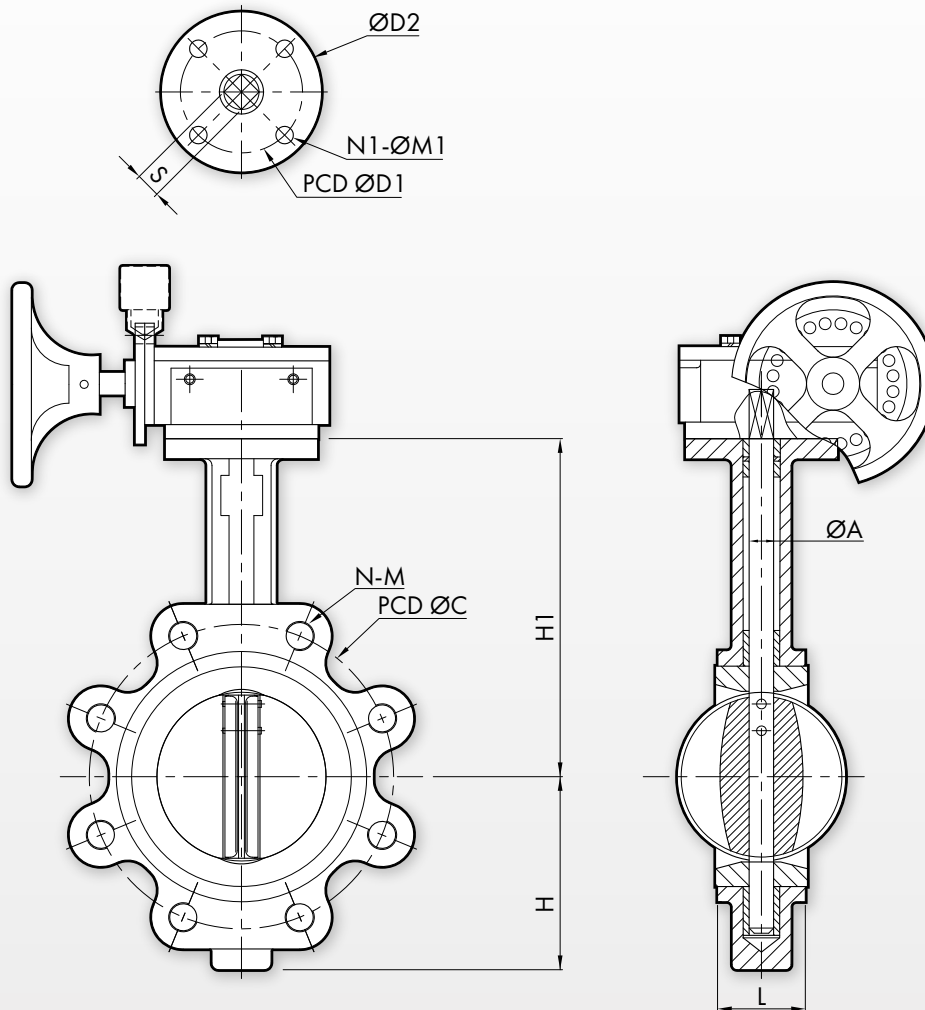
**TABLE 1: DIMENSIONS IN MM**  
**LOCKABLE LEVER AND THROTTLING NOTCH PLATE**

NPS(DN)	C	L	H	H1	A	S	D1		D2		N	M	N1	M1		ISO 5211		SKU
							1	2	1	2				1	2	1	2	
1-1/2" (DN40)	110	33	65	120	12.60	11	50	70	65	90	4	M16	4	7	10	F05	F07	BF4691-100110
2" (DN50)	125	43	80	140	12.60	11	50	70	65	90	4	M16	4	7	10	F05	F07	BF4691-100111
2"-1/2" (DN65)	145	46	89	150	12.60	11	50	70	65	90	4	M16	4	7	10	F05	F07	BF4691-100112
3" (DN80)	160	46	95	158	12.60	11	50	70	65	90	8	M16	4	7	10	F05	F07	BF4691-100113
4" (DN100)	180	52	114	176	15.77	14	70	-	90	-	8	M16	4	10	-	F07	-	BF4691-100114
5" (DN125)	210	56	127	190	18.92	14	70	-	90	-	8	M16	4	10	-	F07	-	BF4691-100115
6" (DN150)	240	56	139	211	18.92	14	70	-	90	-	8	M20	4	10	-	F07	-	BF4691-100116
8" (DN200)	295	60	175	235	22.10	22	102	-	125	-	12	M20	4	12	-	F10	-	BF4691-100117
10" (DN250)	355	68	203	265	28.45	22	102	-	125	-	12	M24	4	12	-	F10	-	BF4691-100118

## ECONOMY WRAS APPROVED

## LUGGED AND TAPPED

## BUTTERFLY VALVE



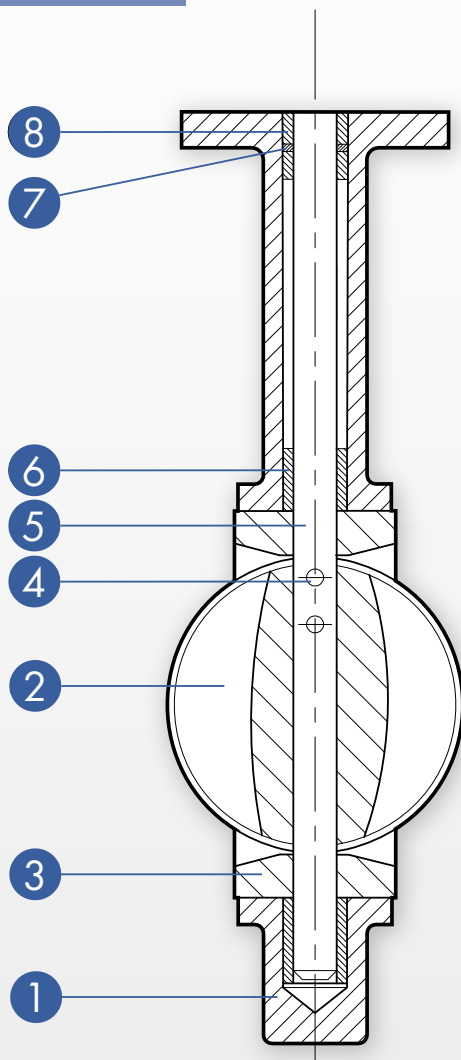
**TABLE 2: DIMENSIONS IN MM  
GEARBOX**

NPS(DN)	C	L	H	H1	A	S	D1		D2		N	M	N1	M1		ISO 5211		SKU
							1	2	1	2				1	2	1	2	
1-1/2" (DN40)	110	33	65	120	12.60	11	50	70	65	90	4	M16	4	7	10	F05	F07	BF4691-100120
2" (DN50)	125	43	80	140	12.60	11	50	70	65	90	4	M16	4	7	10	F05	F07	BF4691-100121
2"-1/2" (DN65)	145	46	89	150	12.60	11	50	70	65	90	4	M16	4	7	10	F05	F07	BF4691-100122
3" (DN80)	160	46	95	158	12.60	11	50	70	65	90	8	M16	4	7	10	F05	F07	BF4691-100123
4" (DN100)	180	52	114	176	15.77	14	70	-	90	-	8	M16	4	10	-	F07	-	BF4691-100124
5" (DN125)	210	56	127	190	18.92	14	70	-	90	-	8	M16	4	10	-	F07	-	BF4691-100125
6" (DN150)	240	56	139	211	18.92	14	70	-	90	-	8	M20	4	10	-	F07	-	BF4691-100126
8" (DN200)	295	60	175	235	22.10	22	102	-	125	-	12	M20	4	12	-	F10	-	BF4691-100127
10" (DN250)	355	68	203	265	28.45	22	102	-	125	-	12	M24	4	12	-	F10	-	BF4691-100128
12" (DN300)	410	78	242	305	31.6	22	102	-	125	-	12	M24	4	12	-	F10	-	BF4691-100119

## ECONOMY WRAS APPROVED

## LUGGED AND TAPPED

## BUTTERFLY VALVE



**TABLE 3: MATERIALS**

ITEM	PARTS	MATERIAL
1	Body	DI
2	Disc	ASTM A351-CF8M
3	Seat	WRAS EPDM
4	Pin	SS 316
5	Stem	SS 416
6	Long bushing	FRP
7	O-ring	NBR
8	Short bushing	FRP

## ECONOMY WRAS APPROVED

## LUGGED AND TAPPED

## BUTTERFLY VALVE

TABLE 4: TORQUE REQUIRED TO ACTUATE VALVE

SIZE NPS (DN)	TORQUE IN WATER		TORQUE IN AIR	
	10 BAR (Nm)	16 BAR (Nm)	10 BAR (Nm)	16 BAR (Nm)
2 (DN50)	13	14	15	16
2-1/2" (DN65)	16	18	19	22
3" (DN80)	23	24	27	29
4" (DN100)	39	42	46	53
5" (DN125)	61	66	82	90
6" (DN150)	100	109	175	205
8" (DN200)	183	204	227	252
10" (DN250)	304	343	402	444
12" (DN300)	455	521	611	708