

Industrial Process PVC Butterfly Valve



- Offset Disc Design
- Excellent Quality
- PVC Disc
- EPDM Liner
- Stainless Steel Shaft
- Ideal for Actuation
- Pressure Range PN10
- 2 1/2" - 8"
- Up to 60°C

Description

This High performance PVC butterfly valve has a multitude of industrial uses and is specifically designed for arduous applications. The manual valve can be easily supplied to operate with Electric and Pneumatic Actuators. The double eccentric (offset design) ensures less wear on the disc seal when opening and closing and offers a reduced torque. Manual operation includes fine adjustment of the lever allowing the disc to be opened between 0° to 90°.

Typical Applications

- Water treatment
- Power plants
- Swimming pool construction
- Marine
- Electroplating
- Chemical process industry
- Automotive industry
- Cooling equipment
- Aquariums



Description

Designed with the best engineered butterfly valve principles in mind, making this one of our best products. Offered with a manual notched lever and suitable to fit between PN10 flanges, this butterfly valve can be easily fitted with both electric or pneumatic actuators. An Offset designed PVC disc allows easy low torque operation coupled with an EPDM liner. Cost efficient and ensures a long trouble free life.



Beschreibung

Entwickelt nach den Grundsätzen der besten Absperrklappe, was dieses Produkt zu einem unserer besten macht. Diese Absperrklappe ist mit einem manuellen Kerbhebel ausgestattet und für die Montage zwischen PN10-Flanschen geeignet. Sie kann problemlos mit elektrischen oder pneumatischen Antrieben ausgestattet werden. Eine versetzte PVC-Scheibe ermöglicht einen einfachen Betrieb mit niedrigem Drehmoment in Verbindung mit einer EPDM-Auskleidung. Kosteneffizient und sorgt für ein langes störungsfreies Leben.



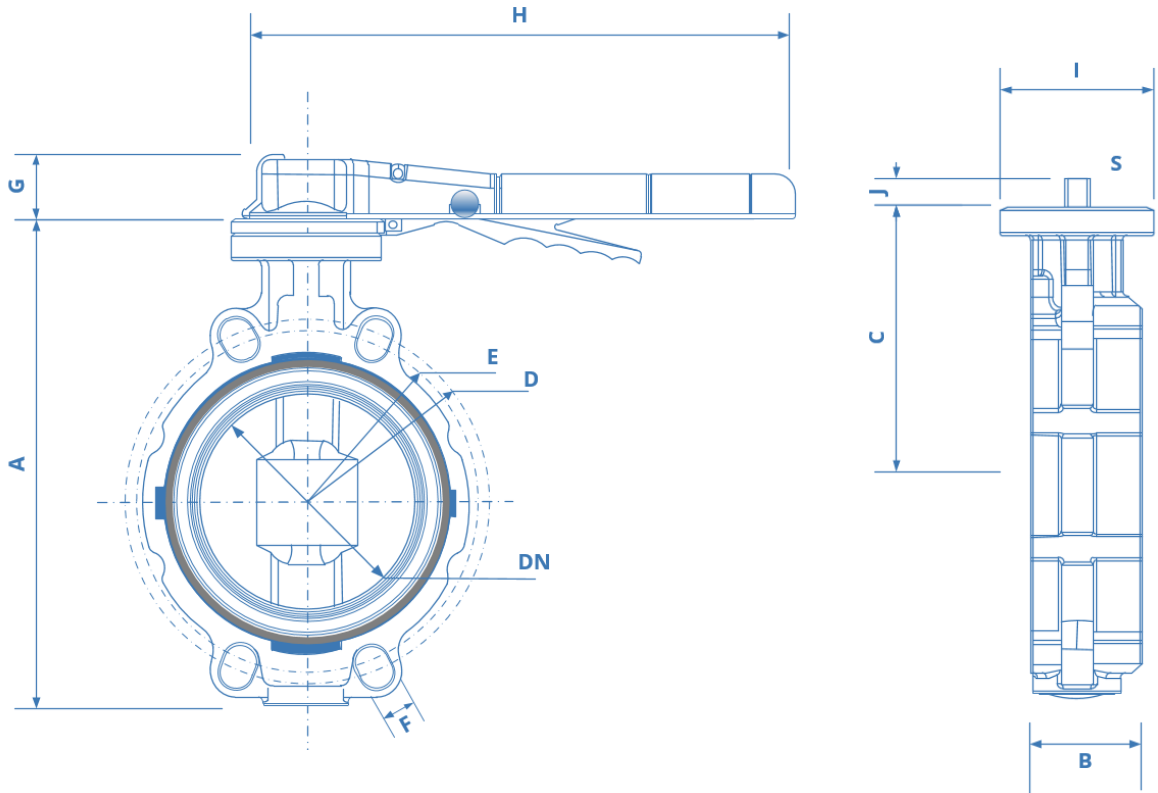
Descripción

Diseñado con los mejores principios de válvulas de mariposa diseñados, haciendo de este uno de nuestros mejores productos. Esta válvula de mariposa, que se ofrece con una palanca con muesca manual y adecuada para encajar entre las bridas PN10, puede equiparse fácilmente con actuadores eléctricos o neumáticos. Un disco de PVC diseñado en Offset permite una operación fácil de bajo par, junto con un revestimiento de EPDM. Rentable y garantiza una larga vida sin problemas.



Description

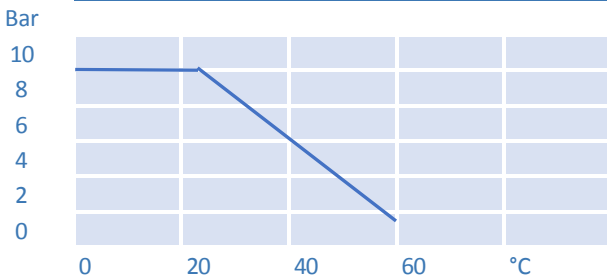
Conçu avec les meilleurs principes de vanne papillon, ce qui en fait l'un de nos meilleurs produits. Proposé avec un levier à cran manuel et adapté à un ajustement entre brides PN10, ce robinet papillon peut être facilement équipé d'actionneurs électriques ou pneumatiques. Un disque en PVC conçu de manière décalée permet un fonctionnement facile à faible couple associé à un revêtement en EPDM. Rentable et assure une longue vie sans problèmes.



DIMENSIONS

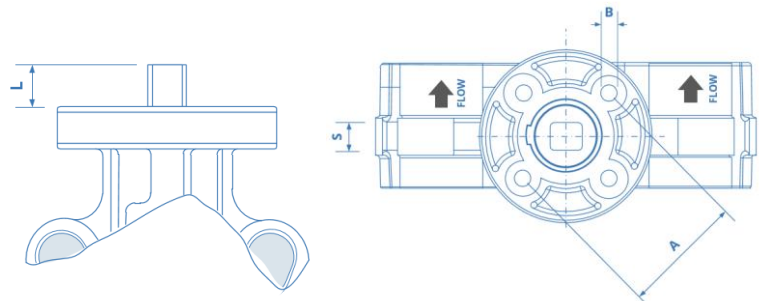
d	DN	A	B	C	D	E	F	G	H	I	J	S
75	65	208	46	124	145	140	19	42	283	100	12	11
90	80	218	46	130	160	150	19	42	283	100	12	11
110	100	267	56	155	190	175	21	42	283	100	16	14
140/125	125	293	64	168	220	210	22	42	283	100	16	14
160	150	335	72	182	244	232	23	42	353	100	19	17
225/200	200	378	74	201	296	290	25	57	488	100	19	17

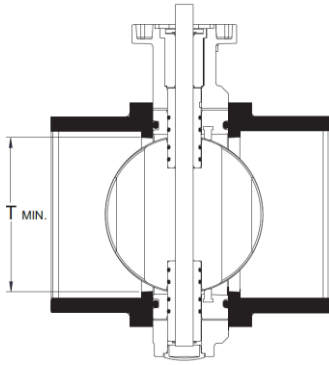
Pressure / Temperature Graph



Top Dimensions and Torque Details

d	DN	A	B	S	L	Nm 5 Bar	Nm 10 Bar	ISO
75	65	70	9	11	12	6	12	F07
90	80	70	9	11	12	12	24	F07
110	100	70	9	14	16	25	50	F07
140/125	125	70	9	14	16	23	48	F07
160	150	70	9	17	19	50	86	F07
225/200	200	70	9	17	19	55	100	F07





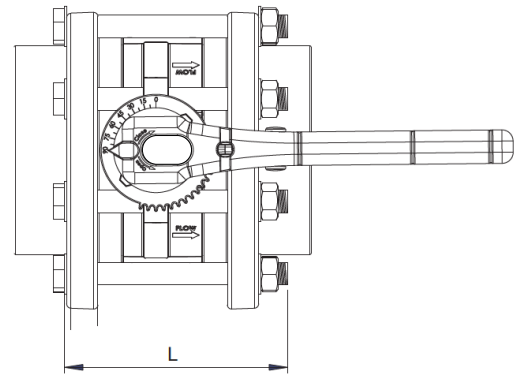
Backing Flange Details

d	DN	Backing Flange	Flange Adaptor	T min
75	65	75	75	55
90	80	90	90	75
110	100	110	110	95
140/125	125	140/125 140	125 140	118
160	150	160	160	145
225/200	200	200/225 225	200 225	180

If you choose to use our backing flanges they will be suitable to allow the disc to move freely. If you prefer to use parts from another manufacturer please check if they are suitable and have a minimum dimension of T (see chart above) and do not interfere with the discs movement.

Materials

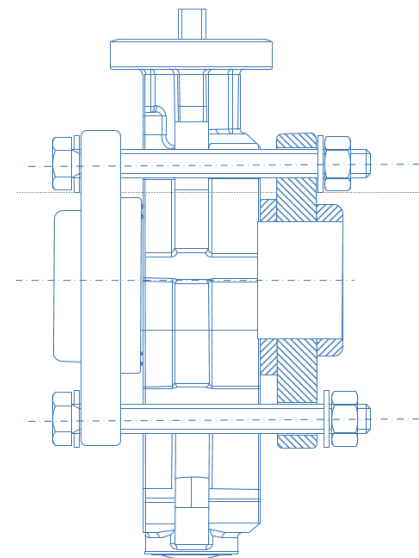
Body	PP GF
Liner	PVC U / EPDM
Disc	PVC U
Shaft	Stainless Steel
Handle	PP GF / POM GF
O Ring	EPDM



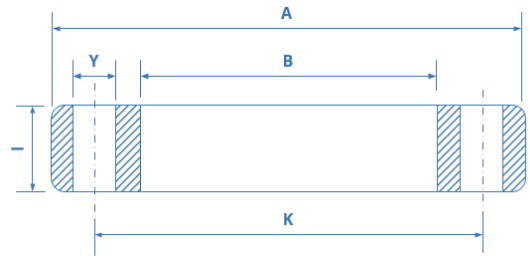
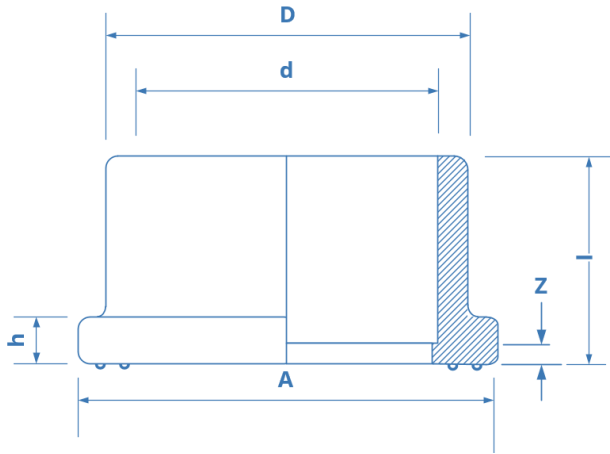
Tightning Details and Torque

d	DN	L	Nm
75	65	M16X120	9
90	80	M16X130	9
110	100	M16X150	9
140/125	125	M16X165	9
160	150	M20X200	9
225/200	200	M20X200	9

It is important that the correct bolt sizes are used in accordance with the above chart. The force required to tighten the nuts and bolts should not exceed that stated in the chart



Backing flanges can be ordered as a kit to suit your valve. Kit comprises of Backing ring, Stub Flange, Bolts, Nuts and Washers.



Dimensions for Flange Adaptor							
d	h	l	A	D	Z	Gr	PN
50	8	34	73	61	3	59	16
63	9	41	90	77	3	109	16
75	10	47	106	91	3	163	16
90	11	56	125	108	5	260	16
110	13	66	150	131	5	430	16
125	13	74	167	145	5	530	16
140	14	83	187	162	6	714	16
160	16	91	213	187	6	1087	16
200	18	113	254	230	6	1754	10
225	25	125	274	248	6	1803	10
250	25	141	303	274	9	2310	10
315	28	174	378	342	10	4050	10
400	30	219	482	432	12	7630	6

Dimensions for Backing Flange									
d	A	B	K	l	Y	Gr	PN	Holes	
50	150	62	110	16	18	225	16	4	
63	165	78	125	18	18	297	16	4	
75	185	92	145	19	18	340	16	4	
90	200	110	160	20	18	386	16	8	
110	220	133	180	22	18	572	16	8	
125	226	147	190	24	18	575	16	8	
140/125	248	147	210	26	18	823	16	8	
140	248	165	210	26	18	676	16	8	
160	285	190	240	28	22	1034	16	8	
200	340	232	286	30	22	1494	10	8	
200/225	340	232	295	30	22	1494	10	8	
225	340	250	295	32	22	1200	10	8	
250	395	278	350	36	22	2070	10	12	
315	445	345	400	36	22	2150	10	12	
400	565	438	515	42	26	3980	6	16	

Backing flanges can be ordered as a kit to suit your valve or as an assembly of valve and kit using the online configurator. Kit comprises of Backing ring, Stub Flange, Bolts, Nuts and Washers.



Size Metric	Metric Flange Kit Part Number	Size Imperial	Imperial Flange Kit Part Number
75	PVCBKI110750	2/12"	PVCBKI110750
90	PVCBKI10900	3"	PVCBKP900
110	PVCBKI1100	4"	PVCBKP1100
125	PVCBKI1250		
140	PVCBKI1400	5"	PVCBKI1400
160	PVCBKI1600	6"	PVCBKP1600
200	PVCBKI2000		
225	PVCBKI2250	8"	PVCBKP2250

