



PN25 Ductile Iron Butterfly Valve - Lugged & Tapped

- Flange Mounting PN25 (Only)
- Lugged and Tapped
- BS5155 (BS EN 593)
- ISO 5211 Direct Mount
- Epoxy Finish
- EPDM Liner
- Gearbox Operated
- Sizes 200 – 300mm

Description

The BV is a ductile iron butterfly valve well suited to meet the demands in today's HVAC industry. Fully lugged and tapped to suit PN25 flanges, with an epoxy coated body, stainless steel disc and vulcanised liner. Rated PN25 and a temperature range of -10°C up to 110°C . This valve offers trouble free isolation and is operated via a handwheel operated gearbox.

Part of a modular program of quarter turn butterfly valves, offering manual and actuated options.

Other valves in the PN25 range

Butterfly

Wafer PN25
Notched Lever
Electric Actuated
Pneumatic Actuated
WRAS Approved

Check Valves

Strainers

Double Regulating Valves

Orifice Plates



Description

Fully lugged and tapped to suit PN25 flanges, this ductile iron bodied, epoxy coated butterfly is best suited in HVAC applications. Stainless steel disc and vulcanised liner offer industry standard. Gearbox operation with ISO top for actuation.



Beschreibung

Diese epoxidbeschichtete Drosselklappe mit Sphäroguss-Gehäuse ist vollständig mit einem Anschluss versehen und für PN25-Flansche geeignet und eignet sich am besten für HLK-Anwendungen. Edelstahl-scheibe und vulkanisierte Lauffuchse bieten Industriestandard. Getriebebetätigung mit ISO-Top zur Betätigung.



Descripción

Completamente con tacos y roscados para adaptarse a las bridas PN25, esta mariposa recubierta de epoxi con cuerpo de hierro dúctil es la más adecuada para aplicaciones de HVAC. El disco de acero inoxidable y el revestimiento vulcanizado ofrecen un estándar de la industria. Funcionamiento de caja de cambios con tapa ISO para accionamiento.

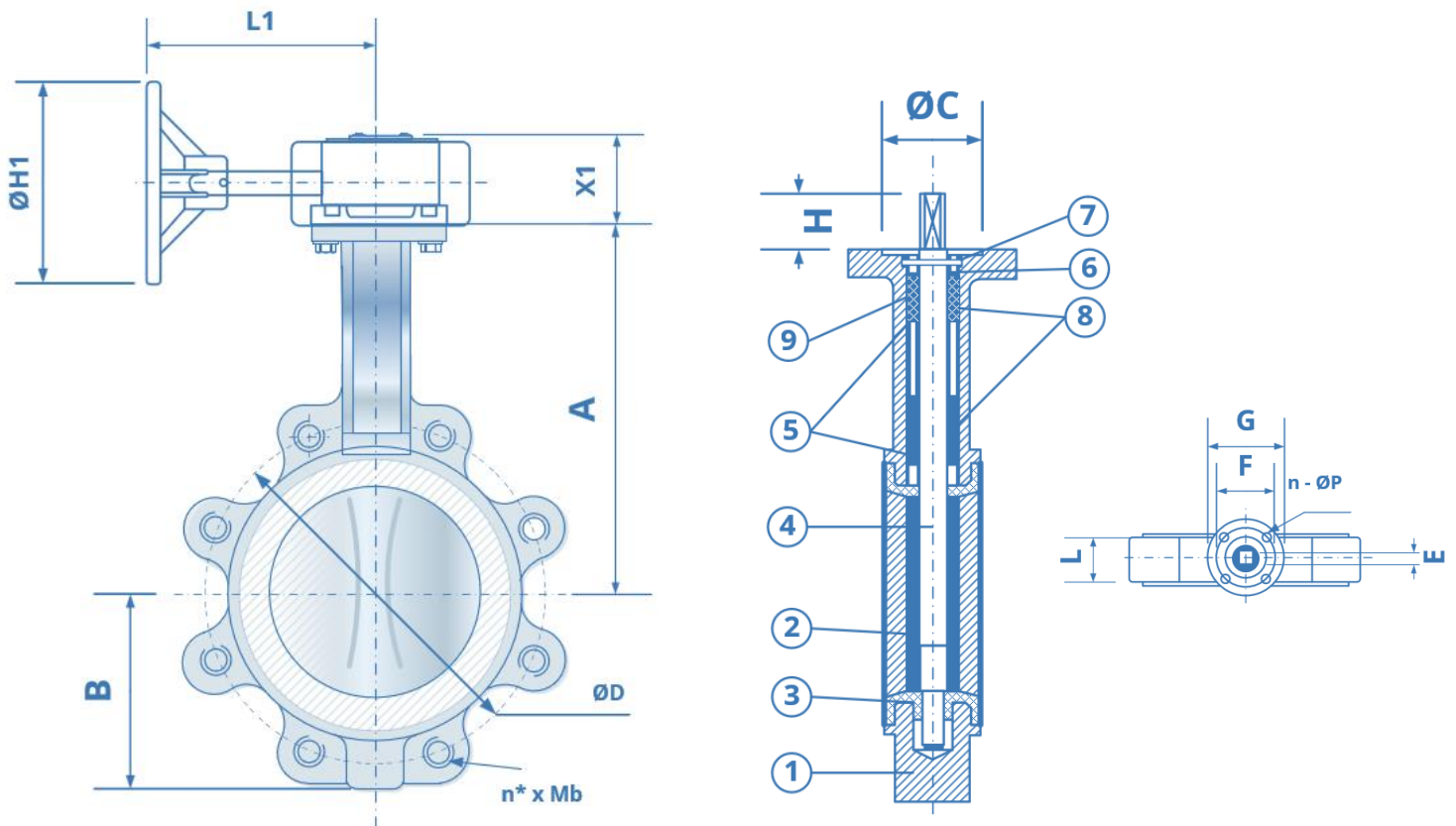


Description

Entièrement à cosses et taraudé pour s'adapter aux brides PN25, ce papillon à corps en fonte ductile et à revêtement époxy est le mieux adapté aux applications CVC. Le disque en acier inoxydable et le revêtement vulcanisé offrent la norme de l'industrie. Fonctionnement de la boîte de vitesses avec couvercle ISO pour l'actionnement.



BF5021



DIMENSIONS

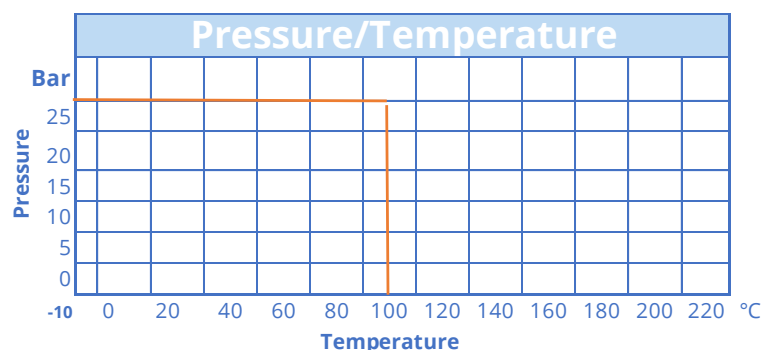
DN	200	250	300
A	247	280	324
B	173	207	250
C	71	71	71
D	310	370	430
N-Mb	12-M24	12-M27	16-M27
E	17	22	22
F	102	102	102
G	125	125	125
L	60	68	78
n-ØP	4 X 12	4 X 12	4 X 12
H	25	30	30
H1	215	215	215
L1	216	216	216
X1	71	71	71
Torque Nm	290	400	510
Kgs	33	47	69

Material

1	Body	Ductile Iron GGG40
2	Disc	Stainless steel 316
3	Seat	EPDM
4	Shaft	Stainless Steel 431
5	Bushing	Brass H65
6	Cotter pin	Spring Steel 65Mn
7	Circlip	Spring Steel 65Mn
8	O-Ring	NBR
9	Ring	Nylon 6 PA6
10	Gearbox	AL 102
11	Bolt	Stainless Steel 304

Technical Data

Max. Pressure	25 Bar
Working Temperature	-10°C to +110°C



All information is sourced from our manufacturer's data and is intended for guidance only - Valves Online can accept no liability for changes, omissions or errors.