



## Extreme Series Butterfly Valve PVDF Disc, EPDM or FPM Liner

- Isolating / Regulating Flow
- 2" to 12"
- Various Disc and Liner Options
- Minimal Pressure drop
- Bare Shaft, Lockable Lever, G/box
- ISO 16136, CE.
- Low Maintenance

### Description

The Extreme range of butterfly valves are for isolation or regulation of flow in a fluid handling system. This valve is ideal for industrial applications that require high performance and long-term reliability. The valve body is manufactured in durable PP-H – GR and offered in sizes ranging from 2"-12" (DN65-DN300 & D63-D75 to D315).

The valve is available with PVC-U, CPVC, PP-H, PVDF and ABS Discs and options of EPDM or FPM Liners, giving a choice to suit the fluid and working temperature (please check resistance tables and temperature/pressure chart).

### Design Advantages

*A butterfly valve from our Extreme Range, that offers high performance, excellent flow characteristics and a minimal pressure drop.*

#### Body in Polypropylene

*Compounded with reinforced fibreglass (PP-GR) offering a high mechanical strength and resistant to UV rays.*

#### Disc Options

*PVC-U / PVC-C / PP-H / PVDF / ABS*

#### Easy to Actuate

*Our Purpose Built Mounting Kit for use with Electric, Pneumatic and Gearbox.*

### Specification

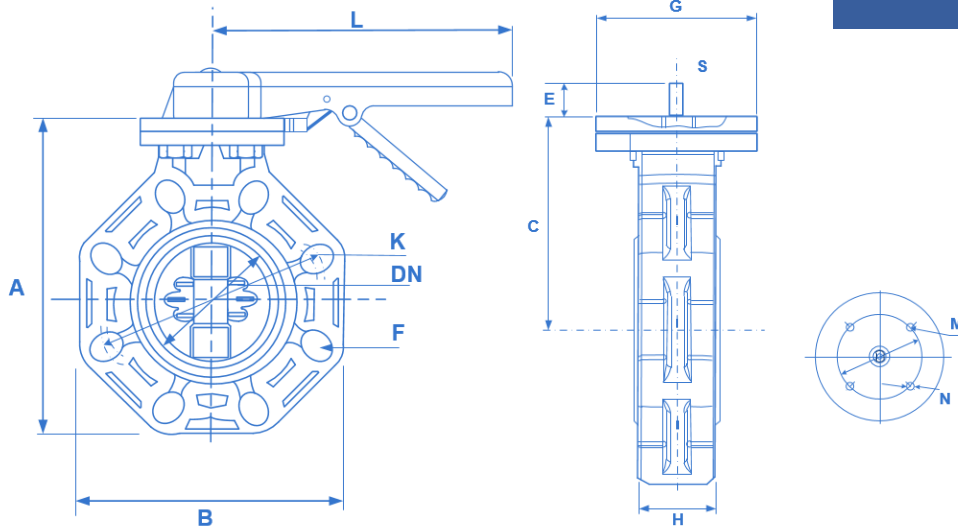
<b>Working Pressure @ 20°C (80°F)</b>	D50-D225 (1 1/2" - 8") D250 - D315 (10" - 12")	PN10 (150 PSI) PN6 (90 PSI)
<b>Size</b>	D50 - D315 (DN40 - DN300) 1 1/2 - 12" (DN40 - DN300)	
<b>Temperature range</b>	For Working Pressure 20°C (80°F) see Pressure / Temperature Graph	
<b>Movement</b>	90 deg turn	
<b>Cycle life</b>	1,000,000 operations	
<b>Liners</b>	EPDM or FPM	
<b>Shaft</b>	Stainless Steel (AISI 630)	
<b>Standards</b>	ISO/DIN EN 558-1	
	BRITISH STANDARD BS EN 1092-1	
	ANSI/ASTM ANSI B16.5 CLASS 150	
<b>Certifications Regulations</b>	Butterfly Valve Design - ISO 16136	

#### Ergonomic Handle

*Manufactured in PP-GR, equipped with a locking device and graduated 15° notched plate adjustment.*

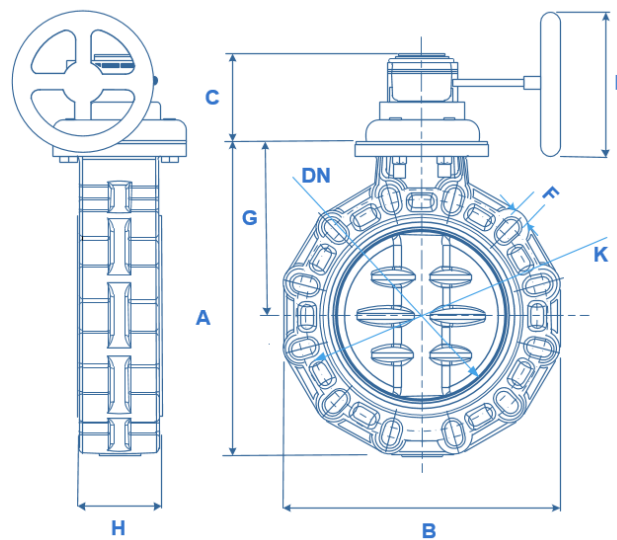
#### Drillings

*Oval pattern slots that allow mating flanges to couple with ease.*



Dimensions

Dimensions	DN	A	B	C	E	F	G	H	K	L	M	N	E'	S	Holes
63-75	65	201	156	120	40	18	112	48	125-145	220	70	9	35	10	4
90	80	232	190	136	40	19	112	52	150-170	245	70	9	35	12	8
110	100	255	212	148	40	19	112	59	180-192	245	70	9	35	16	8
125-140	125	284	238	164	40	22	112	66	190-215	320	70	9	35	20	8
160	150	314	265	180	40	24	112	72	240	320	70	9	35	20	8
200-225	200	378	320	217	50	23	136	73	270-298	391	102	11	47	26	8

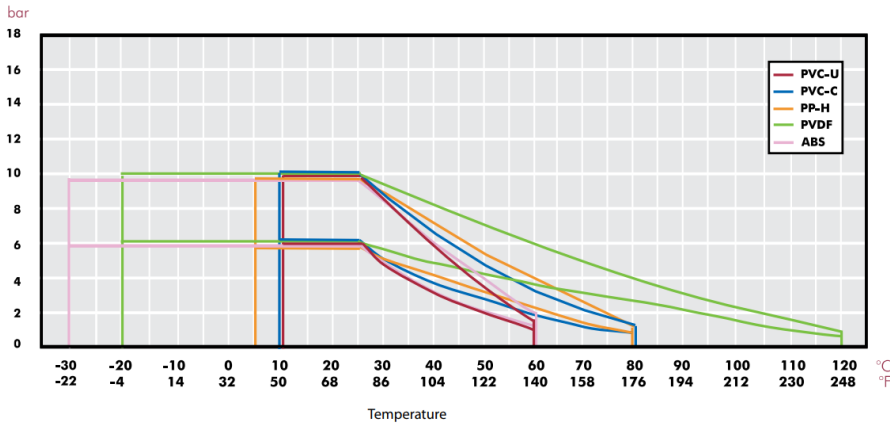


Dimensions

D	DN	A	B	C	E	F	G	H	K	Holes
63-75	65	190	156	245	160	18	218	48	125-145	4
90	80	221	190	276	160	19	249	52	150-170	8
110	100	244	212	299	160	19	272	59	180-192	8
125-140	125	273	238	328	160	22	301	66	190-215	8
160	150	303	265	358	160	24	331	72	240	8
200-225	200	366	320	421	310	23	394	73	270-298	8
250-280	250	450	400	525	310	29	488	114	329-355	12
315	300	545	477	616	310	29	578	114	384-427	12

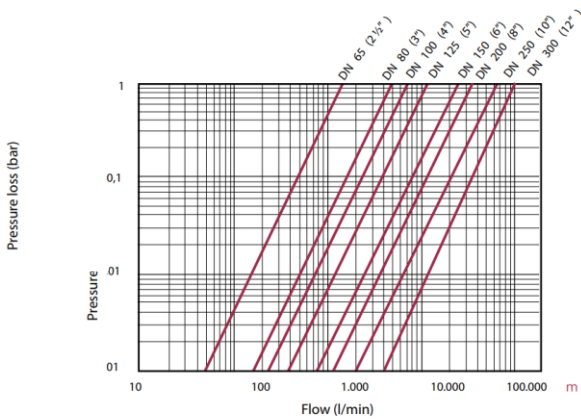
All information is sourced from our manufacturer's data and is intended for guidance only - ValvesOnline can accept no liability for changes, omissions or errors.

Pressure / temperature diagram

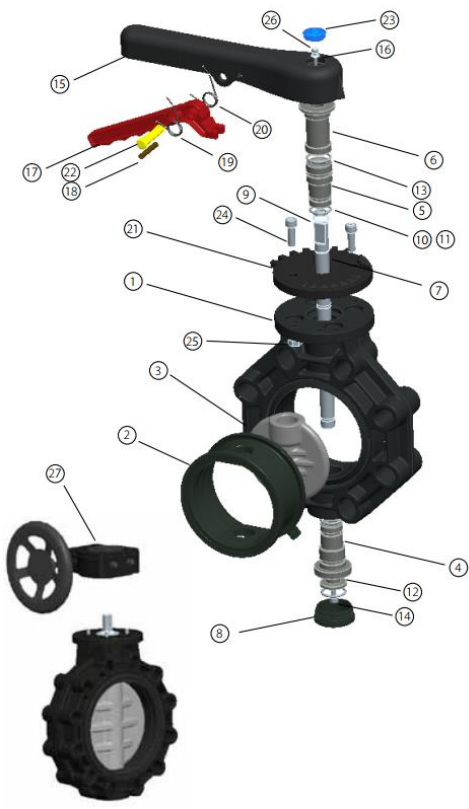


HEAD LOSS / FLOW			
DN	D	Kv (l/min)	Cv (GPM)
65	63-75	1800	126
80	90	4020	282
100	110	8280	580
125	125-140	11760	826
150	160	16200	1134
200	200-225	33000	2311
250	250-280	52000	3655
300	315	78571	5502

Pressure loss diagram



PVDF DISC BUTTERFLY VALVE BODY IN PP-GR					
DN	PN	D	LEVER	BARE SHAFT	GEAR BOX
40	10	50	●	●	●
65	10	63-75	●	●	●
80	10	90	●	●	●
100	10	110	●	●	●
125	10	125-140	●	●	●
150	10	160	●	●	●
200	10	200-225	●	●	●
250	6	250-280		●	●
300	6	315		●	●



No	PART	MATERIAL
1	Body	PP-GR
2	Sealing Gasket	EPDM / FPM
3	Disc	PVC-U, PPH, CPVC, PVDF
4	Lower Bearing	POM
5	Upper Bearing	POM
6	Auxilliary Bearing	POM
7	Shaft	AISI-630
8	Cap	PP-GR
9	Ring DIN - 471	A2
10	O-Ring	EPDM / FPM
11	O-Ring	EPDM / FPM
12	Lower Washer	POM
13	O-Ring	EPDM / FPM
14	Screw DIN 912	A2
15	Handle	PP-GR
16	Washer	A2
17	Lever	PP-GR
18	Pin	AISI-304
19	Left Spring	AISI-304
20	Right Spring	AISI-304
21	Throttle Plate	PP-GR
22	Safety Lock	POM
23	Handle Cap	PP-GR
24	Screw DIN 912	A2
25	Nut DIN 934	A2
26	Screw DIN 912	A2
27	Gear Box	Aluminium

All information is sourced from our manufacturer's data and is intended for guidance only - ValvesOnline can accept no liability for changes, omissions or errors.