



Brass Ball Valve BSI Gas Approved Key Lock B/Fly Handle - ½" to 1"

- EN331 BG Certified
- WRAS Approved
- Full Bore ½" - 1"
- Butterfly Lever with Key Locking Device

Description

Brass nickel plated HTB, full bore ball valve, certified to EN331: 1998+A1 2010 British Gas and WRAS approved. Screwed BSPP female with PTFE Seats, NBR/Viton stem O Rings, Anti-Blow Out Stem. Yellow butterfly lever fitted with key locking device.

Typical Applications for manual isolation for Gas installations for Buildings (CPR), also industrial and domestic process. Heating, Hot water, Cold water, oil, fuel, gas and air pipe systems.



BSI Gas
Approved

WRAS
APPROVED
PRODUCT



Description

A nickel plated HT brass ball valve having both BSI Gas and WRAS approval. Screwed female x female BSPP. Full bore with yellow butterfly handle. Rated PN64 ½" and PN40 ¾" - 1" Temperature -20°C to 70°C Gas. -20°C bis 150°C liquids.



Beschreibung

Ein vernickelter HT-Messingkugelhahn mit BSI-Gas- und WRAS-Zulassung. Innengewinde x Innengewinde BSPP. Volle Bohrung mit gelbem Schmetterlingsgriff. Nenn-PN64 ½" und PN40 ¾" - 1" Temperatur -20°C bis 70°C Gas. -20°C bis 150°C Flüssigkeiten.



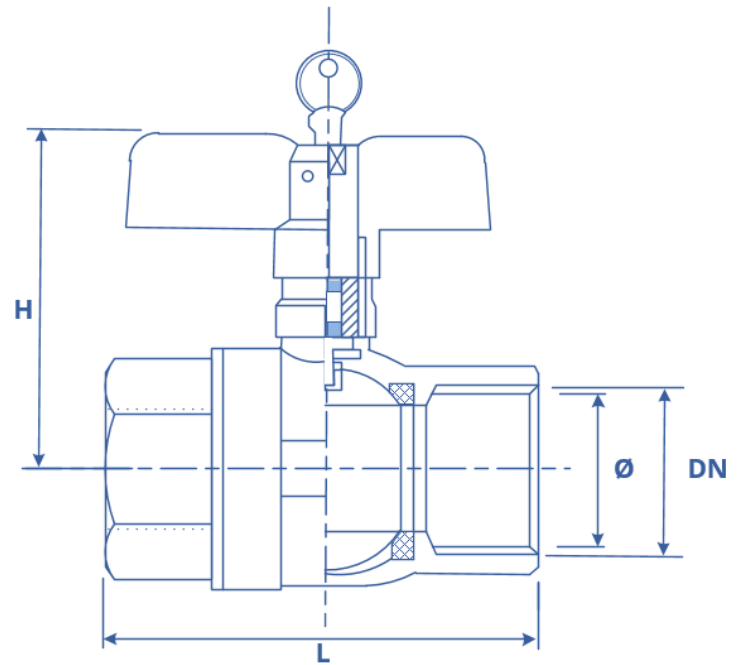
Descripción

Una válvula de bola de latón HT chapada en níquel con aprobación tanto de BSI Gas como de WRAS. Tornillo hembra x hembra BSPP. Diámetro total con mango de mariposa amarillo. Clasificados PN64 ½" y PN40 " - 1" Temperatura -20°C a 70 ° C Gas. -20°C bis 150°C líquidos.



Description

Robinet à boisseau sphérique en laiton HT plaqué nickel, homologué BSI Gas et WRAS. Femelle vissée x femelle BSPP. Alésage complet avec manche papillon jaune. Classé PN64 ½" et PN40 " - 1" Température -20°C à 70°C Gaz. Liquides -20°C à 150°C.



Gas Temperature Range -20°C to 70°C.
Liquids Temperature Range -20°C to 150°C.

Dimensions shown are for guidance only

Dimensions				
DN	Size	H	L	Kg
15	1/2"	74	59	0.44
20	3/4"	80	69	0.54
25	1"	83	83	0.8

Kv Coefficients	
Size	KV
1/2"	15.8
3/4"	29
1"	50

Pressure / Temperature Ratings	
Max Pressure	1/2" PN64
	3/4" to 1" PN40
Temperature Gas	-20°C to 70°C
Temperature Fluid	-20°C to 150°C

Material List	
Body	Brass Nickel Plated
Ball	Brass
Seats	PTFE
Stem	Brass
Stem O-Ring	Viton/NBR
Handle	Aluminium

All information is sourced from our manufacturer's data and is intended for guidance only - Valves Online can accept no liability for changes, omissions or errors.