



Brass Ball Valve with Neck Extension – Green Handle

- WRAS Approved
- Full Bore
- ¼" - 4"
- Full Bore
- Extended Green Neck Stem
- Other Colours Available

Description

Brass ball valve nickel plated, screwed BSPP, full bore and fitted with a neck extension and operated via a green PVC coated lever. The valve is WRAS approved for use with drinking water. PTFE seats with NBR stem O rings. Anti blow out stem. Most common use is where insulation needs to be fitted around the valve (lagging) on both industrial and domestic process. Heating, hot water, cold water, oil, fuel, gas and air pipe systems.



Description

A nickel plated brass ball valve with WRAS approval. The valve has an extended neck that rotates when the handle is turned and is ideal for use with thermal insulation. Screwed female x female BSPP. Full bore with green lever handle. Rated PN40 ¼" - ½", PN32 ¾" - 1", PN25 1¼" - 2 1/2" and PN16 3" - 4"
Temperature -20°C to 110°C



Beschreibung

Ein vernickelter HT-Messingkugelhahn mit BSI-Gas- und WRAS-Zulassung. Mit einem verlängerten Hals, der sich dreht, wenn der Griff zur Verwendung mit Wärmedämmung gedreht wird. Innengewinde x Innengewinde BSPP. Volle Bohrung mit gelbem Hebelgriff.
Nenn-PN64 ¼" - ½", PN40 ¾" - 2 1/2", PN32 - 3" und PN25 - 4"
Temperatur -20°C bis 70°C Gas. -20°C bis 150°C Flüssigkeiten.



Descripción

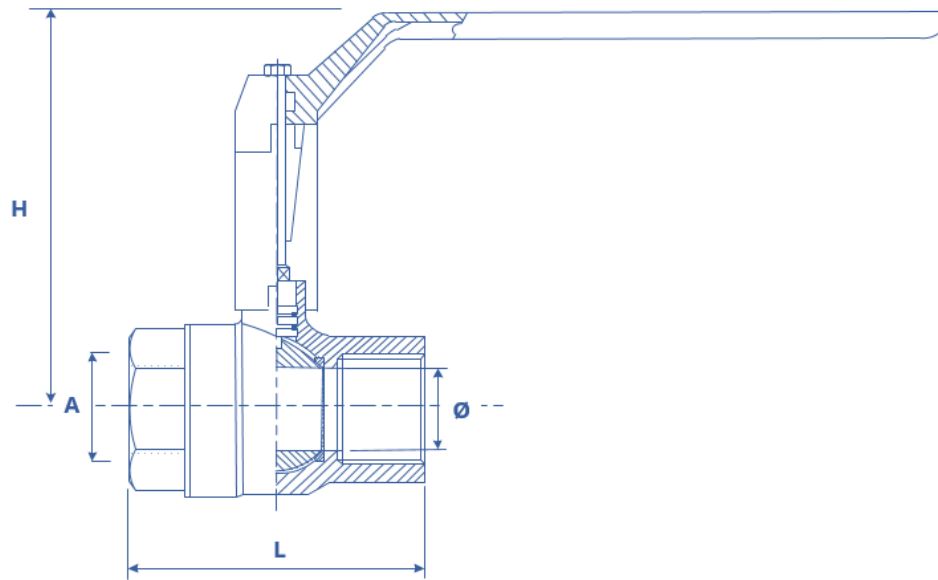
Una válvula de bola de latón HT chapada en níquel con aprobación tanto de BSI Gas como de WRAS. Tener un cuello extendido que gira cuando se gira el asa para usar con aislamiento térmico. Tornillo hembra x hembra BSPP. Diámetro total con mango amarillo.
Clasificación PN64 ¼" - ½", PN40 " - 2 1/2", PN32 - 3" y PN25 - 4"
Temperatura -20°C a 70°C Gas. -20°C bis 150°C Líquidos.



Description

Robinet à boisseau sphérique en laiton HT plaqué nickel, homologué BSI Gas et WRAS. Ayant un cou étendu qui tourne lorsque la poignée est tournée pour une utilisation avec une isolation thermique. Femelle vissée x femelle BSPP. Plein alésage avec levier jaune.
Classé PN64 ¼" - ½", PN40 " - 2 1/2", PN32 - 3" et PN25 - 4"
Température -20°C à 70°C Gaz. Liquides -20°C à 150°C.





Dimensions shown are for guidance only

Pressure / Temperature Ratings

Pressure	1/4"-1/2" PN 40
	3/4" - 1" PN32
	1 1/4" - 2 1/2" PN25
	3" - 4" PN16
Temperature Fluid	- 20°C to +110°C

Material List

Body	Brass Nickel Plated
Ball	Brass Chrome Plated
Seats	PTFE
Stem	Brass
Stem O-Rings	NBR & FKM
Lever and Ext Spindle	Cast Aluminium

DIMENSIONS

Size A	Ø	H	L	Kg
1/4"	8	TBC	38	0.29
3/8"	12	TBC	42	0.29
1/2"	15.0	107.0	48	0.29
3/4"	20	113.0	57	0.45
1"	25	117.0	69	0.63
1 1/4"	30.0	133.0	79	0.97
1 1/2"	40	148.0	89	1.29
2"	50	161.0	109	2.0
2 1/2"	65	TBC	126	TBC
3"	80	TBC	147	TBC
4"	100	TBC	177	TBC

