

## Mini WRAS Ball Valve Male x Female

- Chrome Plated
- Screwdriver Slot Operation
- Screwed BSPP
- -10°C to 90°C
- PN16 Rated

### Description

Chrome plated male x female mini brass ball valve with Screwdriver operator for use on pneumatic and liquid applications. Valve offers reliable on / off operation. Holds water research council approval WRAS.



### Description

A WRAS approved mini chrome plated, brass ball valve, operated with a screwdriver slot. Screwed male x female BSPP. Reduced bore rated to 16 bar, temperature -10°C to 90°C.



### Beschreibung

Ein nach WRAS zugelassener Kugelhahn aus verchromtem Messing, der mit einem Schlitz für einen Schraubendreher betrieben wird. Gewindestift x Innengewinde BSPP. Reduzierte Bohrung auf 16 bar, Temperatur -10°C bis 90°C.



### Descripción

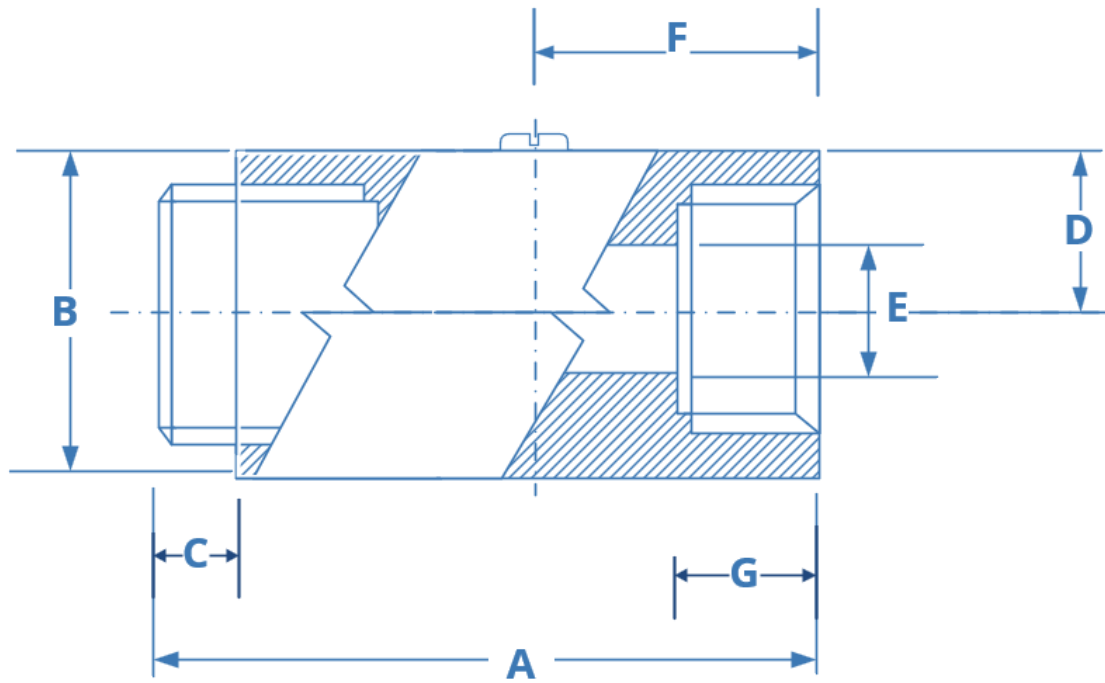
Una válvula de bola de latón, mini cromo, aprobada por WRAS, operada con una ranura para destornillador. Tornillo macho x hembra BSPP. Agujero reducido clasificado a 16 bar, temperatura -10°C a 90°C.



### Description

Robinet à tournant sphérique en laiton, chromé et approuvé par WRAS, actionné par un tournevis. Mâle vissé x femelle BSPP. Alésage réduit jusqu'à 16 bar, température -10°C à 90°C.





Dimensions shown are for guidance only

Dimensions								
DN	G	C	A	E	B	D	F	Kg
1/8"	9	9	39	6	21	12.5	18	0.08
1/4"	9	9	39	8	21	12.5	18	0.07
3/8"	10	10	40	8	21	12.5	21	0.07
1/2"	10.5	10.5	45	10	25	14.5	24	0.1
3/4"	13.5	10.5	51	12	30	17	27	0.17

Pressure / Temperature Ratings	
Working Pressure	PN16
Temperature	-10°C to 90°C

Typical Applications: Isolation on pneumatic systems and in small areas where lever operated valves will not fit.

Material List	
Body	Sandblasted Nickel Plated
Sleeve	Brass
Ball	Brass nickel plated
Seat	PTFE
Stem O-ring	NBR
Handle	Glass Fibre Reinforced Nylon

