



Brass Normally Open Zero Rated Solenoid Valve 0 to 12 Bar

- Size Range 3/8" - 1"
- Function – Normally Open
- Screwed BSPP
- Temperature from -10°C to 150°C
- Choice of Seals
- Pressure 0 – 12 Bar
- 18.5 watt coil as standard

Description

2/2 way, brass Normally Open solenoid valve, operating from zero pressure up to 12 Bar. Screwed in BSPP, with NBR seals and gaskets as standard. The valve offers outstanding flowrates and is supplied with a high performance 18.5 watt coil in both AC and DC. Suitable for air, neutral liquids such as water, light oil and vacuum (max 50 centistokes). The valve is supplied with cable plug.

The SV4220 works at Zero pressure and is good for systems that are gravity fed and therefore does not need pressure to operate.



Description

The SV4220 is a Direct Acting Normally Open solenoid valve in Brass, with the options of various seal materials. Working from zero pressure up to 12 Bar, this valve is ideal for gravity fed systems. A choice of voltage options are available and offered in sizes from 3/8" - 1".



Beschreibung

Das SV4220 ist ein direkt wirkendes, stromlos offenes Magnetventil aus Messing mit Optionen aus verschiedenen Dichtungsmaterialien. Dieses Ventil arbeitet von Nulldruck bis zu 12 bar und ist ideal für schwerkraftgespeiste Systeme. Eine Auswahl an Spannungsoptionen ist verfügbar und wird in Größen von 3/8" - 1" angeboten.



Descripción

La SV4220 es una válvula solenoide de acción directa normalmente abierta en latón, con opciones de varios materiales de sello. Trabajando desde presión cero hasta 12 bar, esta válvula es ideal para sistemas alimentados por gravedad. Se encuentra disponible una variedad de opciones de voltaje y se ofrecen en tamaños de 3/8" a 1".



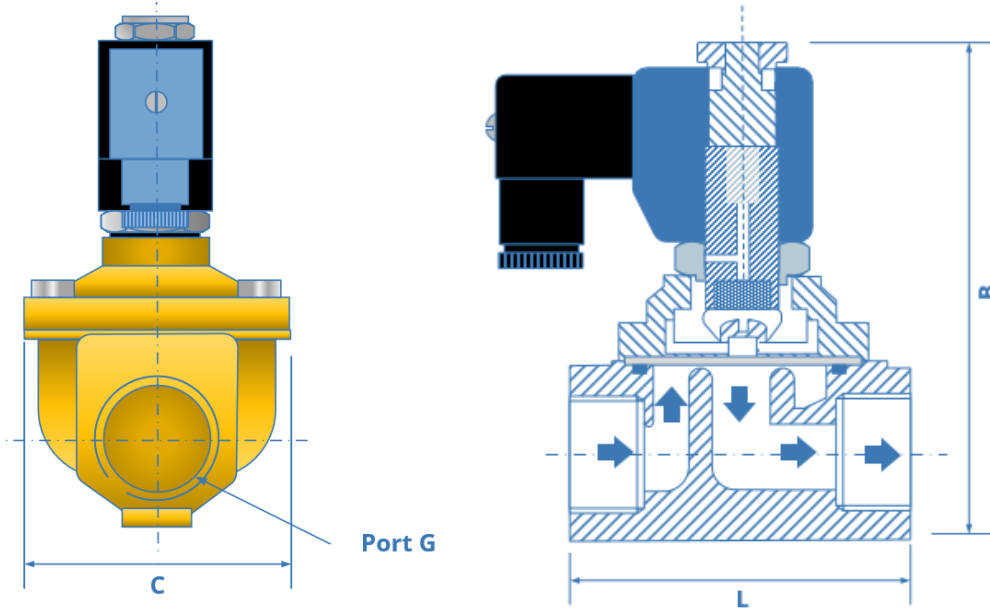
Description

Le SV4220 est une électrovanne à action directe normalement ouverte en laiton, avec les options de divers matériaux de joint. Fonctionnant de zéro pression jusqu'à 12 bars, cette vanne est idéale pour les systèmes alimentés par gravité. Un choix d'options de tension est disponible et proposé dans des tailles allant de 3/8" à 1".



SV4220

NORMALLY OPEN SOLENOID VALVE



Electrical Data

Voltage (-10% + 10%) Continuous duty 100%	Coil	Power Consumption		Insulation Class	Enclosure	IP Rating With Connector
		Inrush	Holding			
24 - 48 - 110 - 240 - 380 (50 or 60 Hz)	22005	33VA	24VA	H 180°C	IP 65 with connector	3 Spades DIN 43650A DIN40050 VDE 0110
12 - 24 - 48 - 110 (DC)		18.5 Watts				



SPECIFICATIONS

Port	Orifice	Flow Kv Ltr/min	Pressure Bar		Seals	Max Media Temp °C	Weight Kg
			AC 18.5 Watt	DC 18.5 Watt			
3/8"	13	35	12	12	NBR FKM EPDM	80 120 155	0.74
1/2"	13	35	12	12	NBR FKM EPDM	80 120 155	0.715
3/4"	20	72	12	12	NBR FKM EPDM	80 120 155	0.945
1"	25	183	12	12	NBR FKM EPDM	80 120 155	1.485

Seal Material

- 10°C	80° C	NBR
- 10°C	120° C	FKM
- 10°C	155° C	EPDM

MATERIALS

Body Brass
Tube and Internal Parts
Stainless Steel
Seals and Gaskets NBR
(EPDM & Viton Options)
Moulded Coil Resin

IP65 Coil & Connector PG9 – DIN 43650 A
 WPG UL and CSA Approved Coil
 18.5 Watt High Power 22005 Coil

Options

*15 Watt Coil
 NPT Thread
 LED Connectors
 ATEX Coil EExmIIT4 II 2G & 2D IP65
 T130°C (max ΔP 3Bar)

BSPF Screwed Ends

Dimensions

Size	Model	L	B	C
3/8"	NOPU2203	66.5	101	48
1/2"	NOPU22004A	66.5	101	48
3/4"	NOPU22006A	71	107	58
1"	NOPU22008A	96	120	70

All information is sourced from our manufacturer's data and is intended for guidance only - Valves Online can accept no liability for changes, omissions or errors.