



WRAS Approved Solenoid Valve for use with Potable Water – Servo Assisted N.C.

- Brass Body, Normally Closed
- Seal Material EPDM
- Pressures up to 16 Bar
- 1/8" - 2" Screwed BSP
- Suitable for Temperatures up to 120°C
- Various Voltage Options

> Description

The Type SV5238 valve is a servo-assisted solenoid valve. The valve is fully WRAS approved for use on drinking water. This Normally Closed valve requires a minimal pressure differential across the valve of 0.5 Bar and can handle pressures up to 16 Bar (depending on orifice size).

As a solenoid valve, the Type SV5238 is particular suitable for media such as potable water and other clean liquids. The body is offered in brass and has WRAS approved EPDM seats. Sizes are from 1/8" to 2" screwed BSP and have options of various orifice choice.

The coils are moulded with chemically resistant epoxy and are 100% continuously rated. All the main voltages are available and are supplied with DIN plug connector to DIN EN standards, the valves satisfy IP65 degree of protection.

> On request

Various seals and stainless steel option of body.
Normally Open Versions



Description

The SV5238 is a servo assisted solenoid valve, suitable to use on drinking water and is WRAS Approved. With a pressure rating of 0.5-16 Bar. Offered in sizes from 1/8" - 2" BSP, with brass body and EPDM Seals. The valve is offered in. Voltages: 24V DC, 24V AC, 110V AC and 230V AC.



Beschreibung

Das SV5238 ist ein servounterstütztes Magnetventil, das für den Einsatz mit Trinkwasser geeignet und WRAS-zugelassen ist. Mit einer Druckstufe von 0,5-16 Bar. Angeboten in Größen von 1/8" -2" BSP, mit Messinggehäuse und EPDM-Dichtungen. Das Ventil wird angeboten in. Spannungen: 24V DC, 24V AC, 110V AC und 230V AC.



Descripción

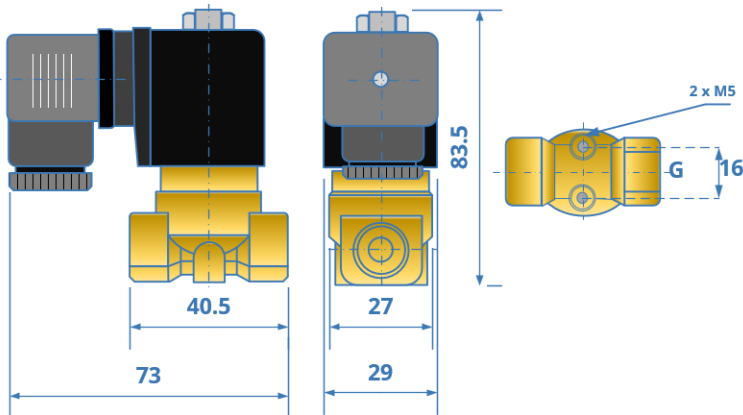
La SV5238 es una electroválvula servoasistida, adecuada para su uso en agua potable y aprobada por WRAS. Con una presión nominal de 0,5-16 bar. Se ofrecen en tamaños de 1/8" -2" BSP, con cuerpo de latón y sellos de EPDM. La válvula se ofrece en. Voltajes: 24V DC, 24V AC, 110V AC y 230V AC.



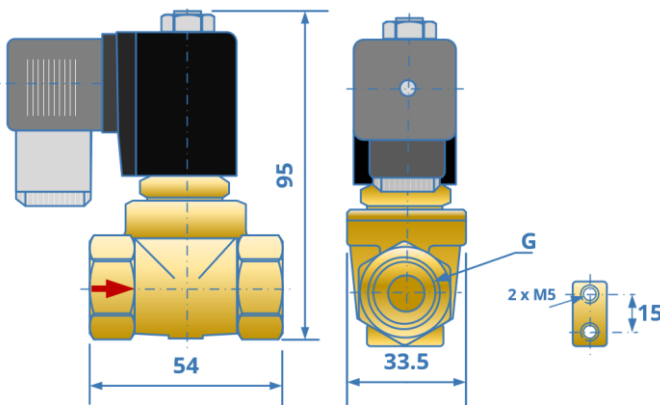
Description

Le SV5238 est une électrovanne servo-assistée, adaptée à une utilisation sur l'eau potable et est approuvée WRAS. Avec une pression nominale de 0,5 à 16 bars. Offert dans des tailles de 1/8" à 2" BSP, avec corps en laiton et joints en EPDM. La vanne est proposée en. Tensions : 24V DC, 24V AC, 110V AC et 230V AC.

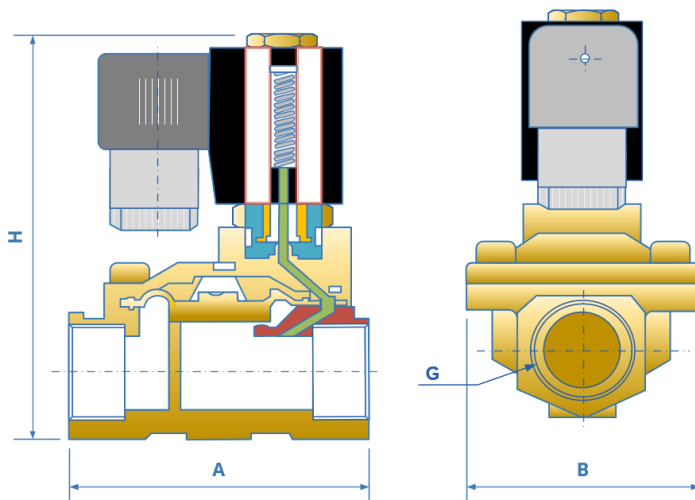
➤ Main Dimensions for Normally Closed



➤ Orifice: - 3mm and 4mm
Port Size 1/8", 1/4" & 3/8"



➤ Orifice: - 10.5mm
Port Size 1/4" 3/8" & 1/2"



➤ Large Orifice

Dimensions for Larger Sizes		
Size	Orifice	Main Dimensions A x B x H
3/8"	13	66 x 48 x 112
1/2"	13	66 x 48 x 112
3/4"	20	75 x 58 x 118
1"	25	96 x 70 x 131
1 1/4"	35	131 x 96 x 149
1 1/2"	40	131 x 96 x 149
2"	50	165 x 120 x 167

> Main Dimensions

Size	Orifice	KV	Min. Diff.	Pressure		Max. Temp °C	VA (AC)			W 24 DC	Seal
				Air/Gas	Water		230V	110V	24V		
1/8"	3	0.2	0	13	13	120	22	22	18	13	EPDM
1/4"	3	0.2	0	13	13	120	22	22	18	13	EPDM
	10.5	1.27	0	16	16	120	22	22	18	13	EPDM
3/8"	3	0.26	0	13	13	120	22	22	18	13	EPDM
	4	0.52	0	8	8	120	22	22	18	13	EPDM
	10.5	1.45	0	16	16	120	22	22	18	13	EPDM
	13	3.89	0.5	16	16	120	22	22	18	13	EPDM
1/2"	10.5	1.51	0	16	16	120	22	22	18	13	EPDM
	13	3.89	0.5	16	16	120	22	22	18	13	EPDM
3/4"	20	6.57	0.5	16	16	120	22	22	18	13	EPDM
1"	25	10.37	0.5	16	16	120	22	22	18	13	EPDM
1 1/4"	35	19.01	0.5	16	16	120	22	22	18	13	EPDM
1 1/2"	40	25.92	0.5	16	16	120	22	22	18	13	EPDM
2"	50	41.47	0.5	16	16	120	22	22	18	13	EPDM

Component Material

Body	Brass
Diaphragm	EPDM
Spring	304 Stainless steel
Body Cover	Brass
Bolt	Stainless
Pilot Seal	EPDM
Pilot	Stainless
Pilot Spring	304 Stainless steel
O Ring	EPDM
Plunger Tube	304 Stainless steel
Coil	Enamelled Wire
Plug	Nylon

Seal Material

120°C	EPDM
WRAS Approved	

> Information

Insulation Class F 155° C
 IP65 Coil & Connector PG9 - DIN 43650 A
 NPT Thread Body Brass
 PA Fiberglass reinforced
 Tube and internal parts stainless steel
 Seals and gaskets EPDM WRAS + KTW Approved



All information is sourced from our manufacturer's data and is intended for guidance only - Valves Online can accept no liability for changes, omissions or errors.

Valves Online

sales@valvesonline.co.uk

Tel. + 44 1822 855600

www.valvesonline.co.uk

