



Brass 2/2 Way Solenoid Valve 1/8" - 1/2" Direct Acting, 0 - 15 Bar

- Economically Priced
- Size 1/8" - 1/2" 2/2 Way
- Normally Closed Function
- Media : Air, Water, Gas & Light Oil
- Brass Body,
- Various Seal Options
- Supplied with Plug Connector

Description



The SV5215 is an economical Brass Normally Closed solenoid valve. Direct acting and operating from zero pressure up to 15 Bar (see pressure options). This valve is ideal for the on/off isolation of media such as air, water, gas, light oils and vacuum. Opening and closing operating times are fast at 20 milli seconds. The valve is compact in size and supplied with DIN connector. Options offered are various seal materials to suit compatibility with your media, options for preferred voltage supply and recommended orifice size that is most suitable for the pressure. The valve can be mounted in any position in areas of ambient temperature from -10°C up to 50°C. This valve is priced very economically and offers long life under rugged conditions.

- **Media: air, water, light oil, gas & vacuum.**
- Pressure range: 0 to 15 bar max
- Media temperature: 120°C max (see seals)
- Ambient temperature: -10° to +50°C max
- Media viscosity: 50 centistokes max
- Mounting: Coil any position
- Opening Closing time: 20 m Sec max
- Body: ABrass
- Seal : NBR, EPDM, FKM,



Description

Direct acting 2/2 Way brass solenoid valve. Suitable for pressures up to 15 bar. Used with media such as compressed air, water, light oils and gas. IP65 protected when connector fitted, 1/8" - 1/2" ported and Normally Closed function.



Beschreibung

Direktgesteuertes 2/2-Wege-Magnetventil aus Messing. Geeignet für Drücke bis 15 bar. Einsatz bei Medien wie Druckluft, Wasser, Leichtöle und Gas. IP65-geschützt bei montiertem Stecker, 1/8" - 1/2"-Anschluss und Normal-Closed-Funktion.



Descripción

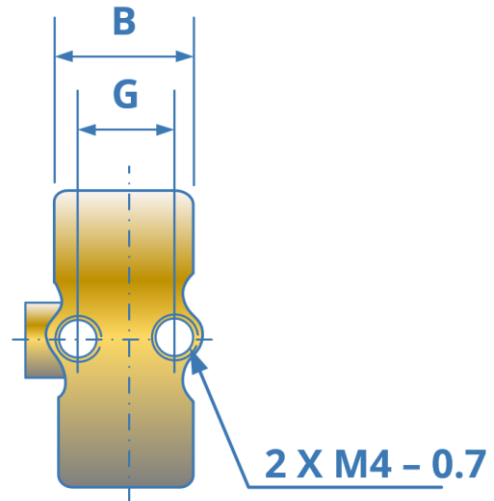
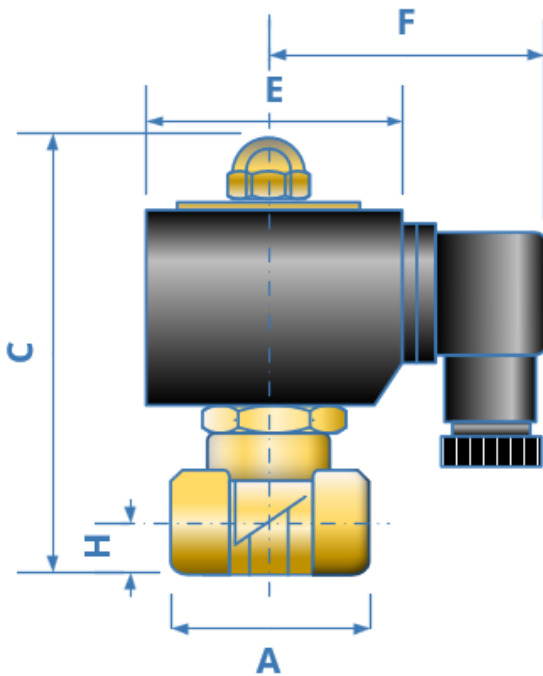
Electroválvula de latón de 2/2 vías de acción directa. Adecuado para presiones de hasta 15 bar. Se utiliza con medios como aire comprimido, agua, aceites ligeros y gas. Protegido IP65 cuando el conector está instalado, puerto de 1/8" - 1/2" y función normalmente cerrada.



Description

Electrovanne laiton 2/2 voies à action directe. Convient pour des pressions jusqu'à 15 bars. Utilisé avec des fluides tels que l'air comprimé, l'eau, les huiles légères et le gaz. Protection IP65 lorsque le connecteur est installé, port 1/8" - 1/2" et fonction normalement fermée.

SV5215



DIMENSIONS

| Size | A | B | C | F | G | H | Kg |
|------|----|----|----|----|----|------|------|
| 1/8" | 41 | 19 | 85 | 63 | 15 | 10.5 | 0.47 |
| 1/4" | 41 | 19 | 89 | 63 | 15 | 10.5 | 0.47 |
| 3/8" | 50 | 25 | 90 | 65 | 15 | 11.7 | 0.73 |
| 1/2" | 55 | 27 | 91 | 65 | 17 | 13 | 0.78 |

Construction

| | |
|-----------------------|----------------------------|
| Body | Brass |
| Tube & Internal Parts | AISI304 Stainless Steel |
| Seals and gaskets | FKM (NBR & EPDM available) |
| Moulded Coil | Resin |
| Shading Ring | Copper |

Seal Material

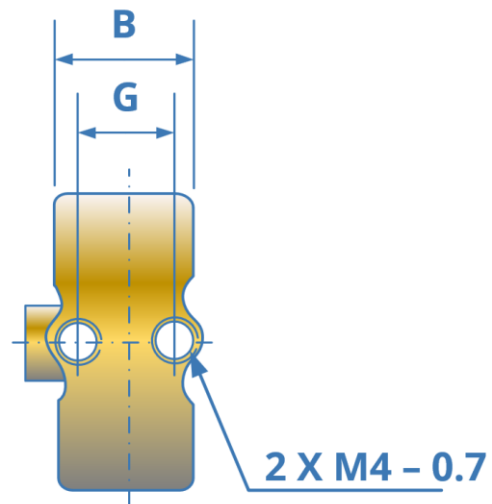
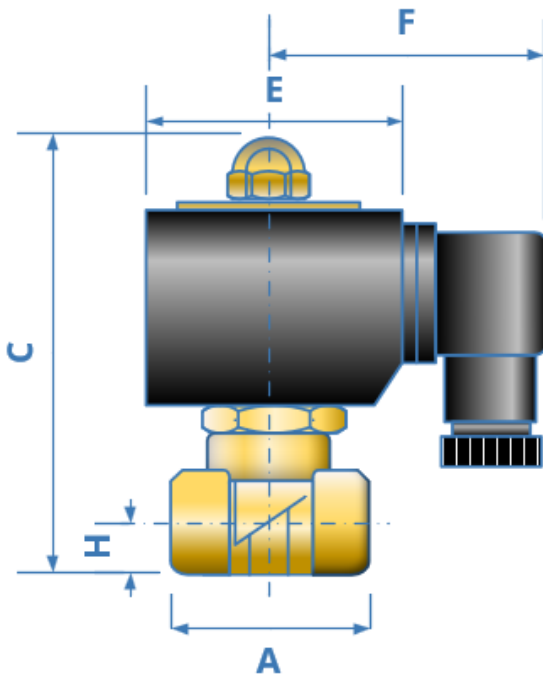
| | |
|------|-------|
| NBR | 100°C |
| EPDM | 120°C |
| FKM | 120°C |

OPTIONS

IP66 (EN60529:1991+A1:2000) CSA + UL Approved Coil & IP65 LED Connector PG11-DIN43650 A
 *ATEX EExmIIT4 II 2G & 2D IP65 T130°C (WPG1 Pressure same, WPG2 70% of DC Rating, WPA3C not available. Silver Shading Ring.
 NPT and BSPT Thread

All information is sourced from our manufacturer's data and is intended for guidance only - Valves Online can accept no liability for changes, omissions or errors.

SV5215



PRESSURE

| Ø Port BSP | Ø Orifice (mm) | Coil | Flow Kv Ltr/Min | Pressure rating (Bar) ΔP | | | Seals |
|---------------|----------------------|------|-----------------------|--------------------------|--------|--------|--|
| | | | | Min | Max AC | Max DC | |
| 1/8" | 3 | WPG1 | 3.7 | 0 | 10 | 7 | NBR (100°C) EPDM (120°C) FKM (120°C) |
| | 4 | | 8.3 | | 7 | 5 | |
| | 5 | | 9.2 | | 5 | 3.5 | |
| 1/4" | 3 | | 3.7 | | 10 | 7 | |
| | 4 | | 8.3 | | 7 | 5 | |
| | 5 | | 9.2 | | 5 | 3.5 | |
| 3/8" | 4 | WPG2 | 3.7 | | 10 | 7 | |
| | 6 | | 11.3 | | 5 | 3.5 | |
| | 8 | | 13.9 | | 2 | 1.4 | |
| | WPA3C | 4 | 3.7 | | 15 | 10 | |
| | | 6 | 11.3 | | 7 | 5 | |
| | | 8 | 13.9 | | 3 | 2 | |
| 1/2" | WPG2 | 6 | 11.3 | 5 | 3.5 | | |
| | | 8 | 13.9 | 2 | 1.4 | | |
| | WPA3C | 6 | 11.3 | 7 | 5 | | |
| | | 8 | 13.9 | 3 | 2 | | |

ELECTRICAL DATA

| Voltage (-10% + 15%) Continuous Duty 100% | Coil | Power Consumption | | Insulation Class | Enclosure | Electrical Connection |
|--|-------|-------------------|---------|---------------------|------------------------|---|
| | | Inrush | Holding | | | |
| 24 - 110 - 230 (50/60 Hz) | WPG1 | 11.2 VA | 8.2 VA | H 180°C | IP65 with Connector | 3 spades DIN 43650A DIN 40050 VDE 0110 |
| 12 - 24 (DC) | | 12 Watts | | | | |
| 24 - 110 - 230 (50/60 Hz) | WPG2 | 18.7 VA | 15.3 VA | | | |
| 12 - 24 (DC) | | 18 Watts | | | | |
| 24 - 110 - 230 (50/60 Hz) | WPA3C | 37.5 VA | 27.5 VA | N 200°C | IP54 | 30 mtr flying lead |
| 12 - 24 (DC) | | 22.6 Watts | | | | |

All information is sourced from our manufacturer's data and is intended for guidance only - Valves Online can accept no liability for changes, omissions or errors.