

## Union Ended Brass Ball Valve Male x BSPP Female

- Red Lever Handle
- Screwed BSPP Female x Male BSPP Union End
- PTFE Seats
- ½" - 2"
- Temperature -10°C to 120°C
- WRAS Approved

### Description

The BV4340 fits into our range of valves for building services, offering a male union end with a screwed BSPP female end. Easily operated via a Red lever handle. The valve is well suited to fitting into manifolds and has an extended range of sizes from ½" through to 2". The valve has PTFE seats and is suitable for temperatures from -10°C up to 120°C. Rated PN40 - ½", PN32 - ¾" and 1", PN30 for 1¼" - 2". Full bore allows a non restricted flow. The valve is WRAS Approved.



### Description

A straight pattern brass ball valve with screwed BSPP Female x BSPP Male Union ends. Nickel plated body with brass stem and ball. PTFE seats with NBR seals. Red lever valve handle.



### Beschreibung

Ein gerader Messingkugelhahn mit verschraubten BSPP-Buchsen x BSPP-Steckerenden. Vernickelter Körper mit Messingschaft und Kugel. PTFE-Sitze mit NBR-Dichtungen. Roter Hebelventilgriff.



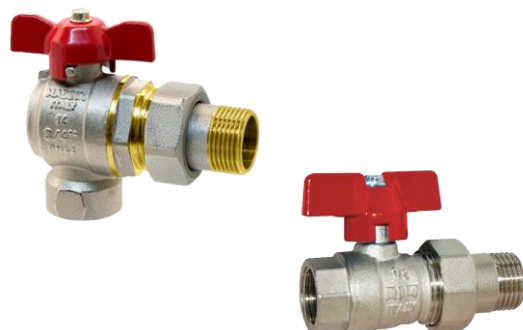
### Descripción

Una válvula de bola de latón de patrón recto con extremos de unión roscados BSPP hembra x BSPP macho. Cuerpo niquelado con vástago y bola de latón. Asientos de PTFE con juntas de NBR. Mango de válvula de palanca roja.

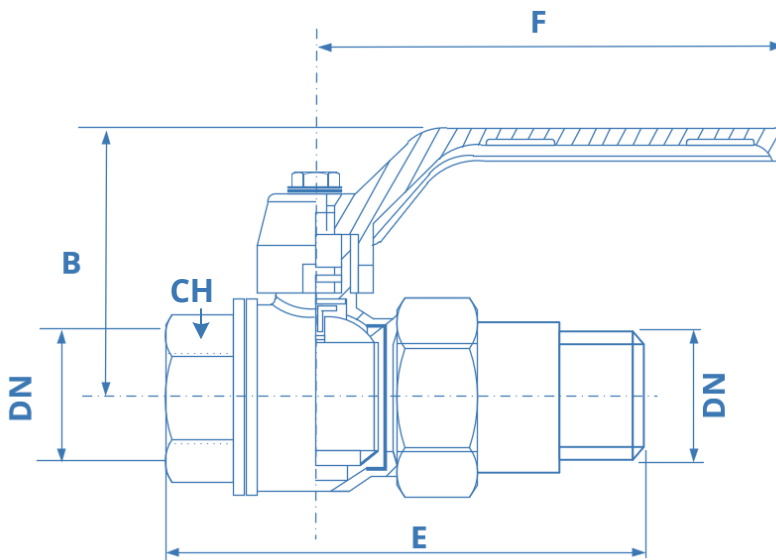


### Description

Un robinet à boisseau sphérique en laiton à motif droit avec des extrémités vissées BSPP Femelle x BSPP Mâle. Corps nickelé avec tige et boule en laiton. Sièges PTFE avec joints NBR. Poignée de soupape à levier rouge.



# BV4340



## DIMENSIONS

Size	Ø	B	E	F	Kg
1/2"	14.5	48	75	84	0.21
3/4"	19	52	84	84	0.32
1"	24	58	98	90	0.5

## DIMENSIONS

Size	B	E	F	CH	Kg
1 1/4"	71	119	126	47	0.94
1 1/2"	78	132.9	126	54	1.23
2"	95	168	145	66	1.8

## MATERIAL

Body	CW617N Brass
Union End	CW617N Brass
Ball	Chrome Plated CW617N
Seats	PTFE
O-Ring	NBR
Stem	CW614N Brass
Handle	Aluminium
Screw	Zinc Plated Steel

## Pressure/Temperature

Pressure	PN40 - 1/2"
	PN32 - 3/4" & 1"
	PN30 1 1/4" - 2"
Temperature	-20°C to 110°C