

## Brass Ball Valve with Built In Check Valve

- Screwed BSPP
- Integral Built in Check Valve
- Full Bore
- Insulated Lever Handle
- Direction of Flow Arrow

### Description

A Screwed brass ball valve, nickel plated. Full bore and threaded BSPP. Lever operated (quarter turn) with insulated cover. The ball valve has the additional feature of a spring loaded check or non return valve fitted into the ball valve body, preventing back flow.



### Description

Screwed BSPP threaded Brass Ball Valve with the addition of an integral check valve.  
Rated PN16 and Temperature - 10°C up to 90°C.



### Beschreibung

Geschraubter BSPP-Messingkugelhahn mit integriertem Rückschlagventil.  
Bewertet mit PN16 und Temperatur - 10°C bis 90°C.



### Descripción

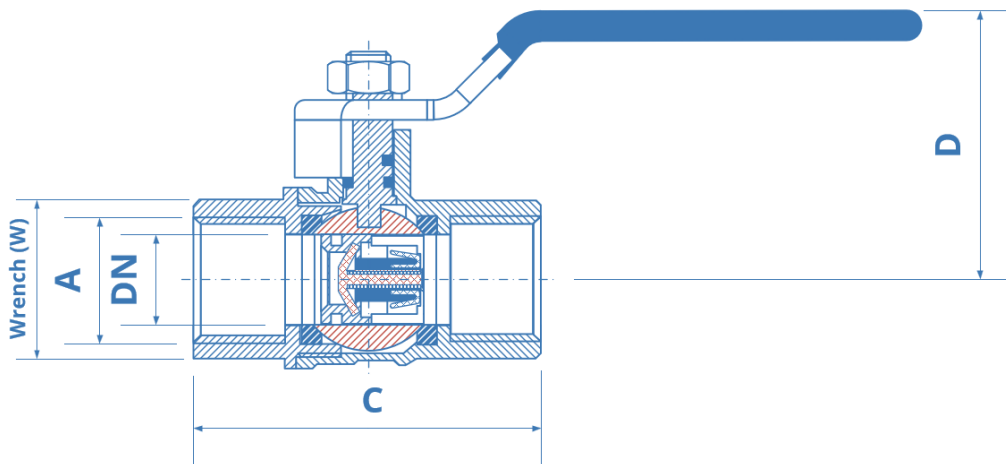
Válvula de bola de latón roscada BSPP atornillada con la adición de una válvula de retención integral.  
PN16 nominal y temperatura - 10 °C hasta 90 °C.



### Description

Robinet à tournant sphérique en laiton fileté BSPP avec l'ajout d'un clapet anti-retour intégré.  
Classé PN16 et température - 10°C jusqu'à 90°C.

# BV4341



## Material Specifications

1	Body	Nickel Plated CW617N Brass
2	Bonnet	Nickel Plated CW617N Brass
3	Stem	CW614N Brass
4	Ball	Chrome Plated CW617N Brass
5	Seat	PTFE
6	Ox	PTFE
7	Nut	CW614N Brass
8	Handle	Chrome Plated Steel
9	Ring	Chrome Plated Steel
10	Nut	Chrome Plated Steel
11	Check Valve	POM

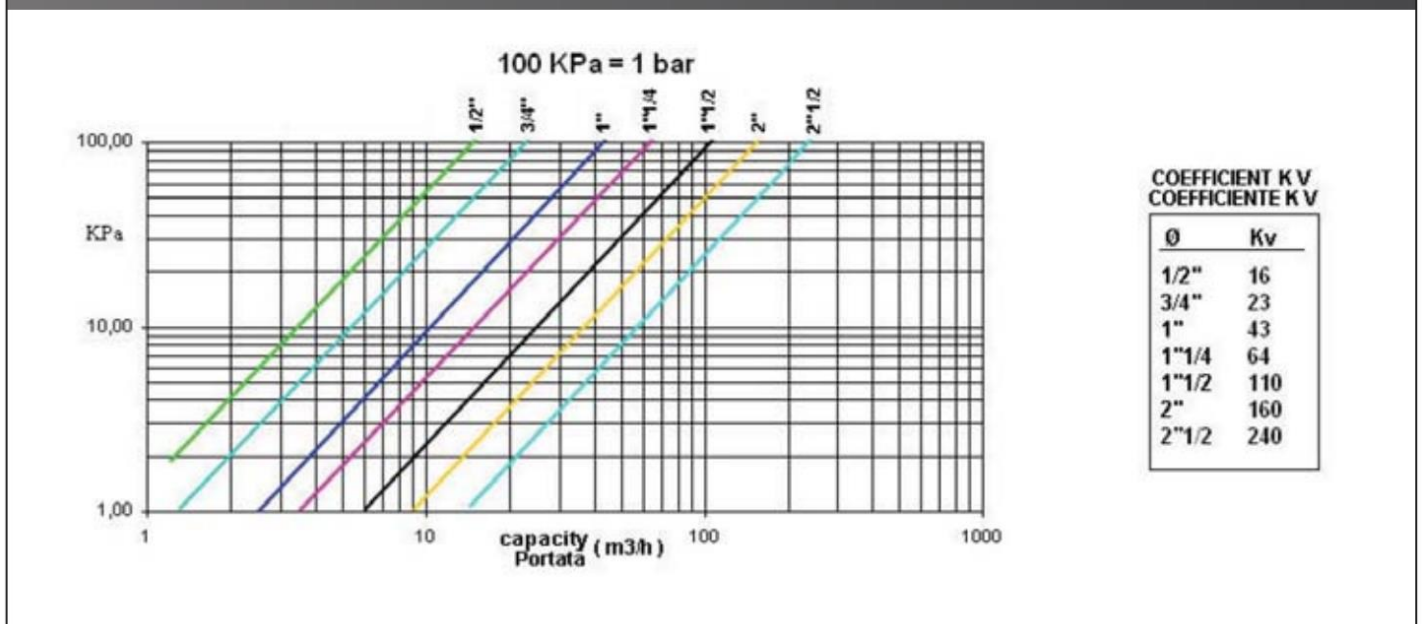
## Dimensions

A	DN	C	D	W	Kg
1/2"	15	58	50	25	0.19
3/4"	20	64	54	31	0.31
1"	25	70	61	38	0.51
1 1/2"	40	94	80	54	0.91
2"	50	109	89	66	1.48

## Pressure/Temperature

Pressure	PN16
Temperature	10C to 90C

## Flowrates / Headloss Chart



All information is sourced from our manufacturer's data and is intended for guidance only - Valves Online can accept no liability for changes, omissions or errors.