



Brass Ball Valve with Drain Plug, Butterfly Handle

- Hard Chrome Plated Ball
- ½ to 2"
- Red Aluminium Butterfly Handle
- BSPP Screwed End Connections
- Removable Drain Plug
- PN20 Rated
- Temperature -15°C to 120°C
- WRAS Approved

Description

A good quality, general purpose full bore brass ball valve with a nickel plating. Used to shut off and isolate flows in a pipeline. The valve has an addition of a useful drain plug that can be removed to drain the process line and sealed with a NBR rubber O Ring. The valve is screwed BSPP (parallel) female ends as standard it has a red cast aluminium Butterfly handle.

This valve is a WRAS approved product for use with potable water.



Description

A brass nickel plated ball valve that's used in many general industrial applications throughout the UK and Europe. Full flow with anti blowout stem. Screwed BSPP and fitted with a removable drain plug. Red Aluminium handle
Temperature range for fluids -15°C to +120°C
Pressure rating (see specifications).



Beschreibung

Ein vernickelter Kugelhahn aus Messing, der in vielen allgemeinen industriellen Anwendungen in Großbritannien und Europa eingesetzt wird. Voller Durchfluss mit Anti-Blowout-Vorbau. BSPP geschraubt und mit einer abnehmbaren Ablassschraube ausgestattet. Roter Aluminiumgriff
Temperaturbereich für Flüssigkeiten -15°C bis +120°C Druckstufe (siehe Spezifikationen).



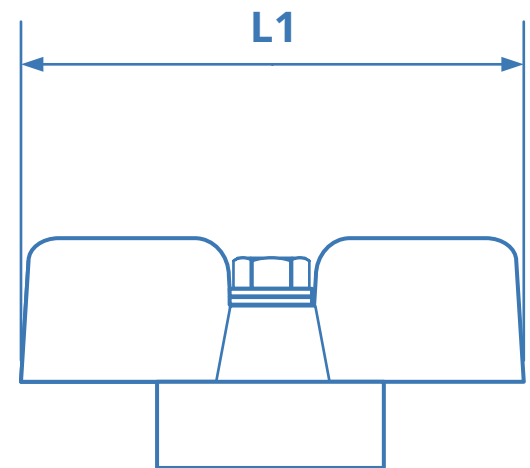
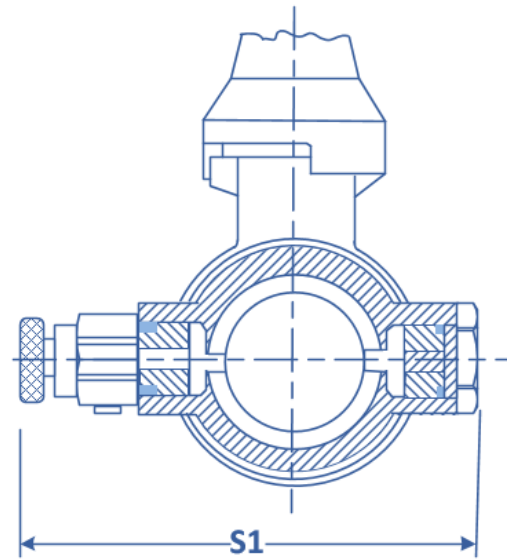
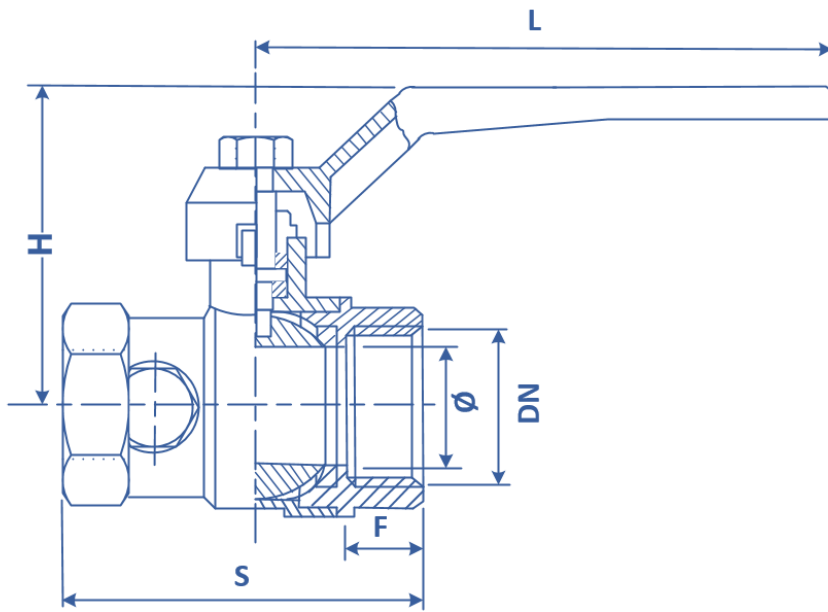
Descripción

Una válvula de bola de latón niquelado que se utiliza en muchas aplicaciones industriales generales en el Reino Unido y Europa.
Flujo total con vástago anti-exposición. BSPP atornillado y provisto de un tapón de drenaje extraíble. Mango de aluminio rojo
Rango de temperatura para fluidos -15 ° C a + 120 ° C
Clasificación de presión (ver especificaciones).



Description

Un robinet à tournant sphérique en laiton nickelé utilisé dans de nombreuses applications industrielles générales au Royaume-Uni et en Europe.
Plein débit avec tige anti-éclatement. BSPP vissé et équipé d'un bouchon de vidange amovible. Poignée en aluminium rouge
Plage de température pour fluides -15 ° C à + 120 ° C
Pression nominale (voir spécifications).



Dimensions

Size	∅	F	H	L1	L	S	S1	Kg
1/2"	15	11	50	52	92	54	TBC	0.23
3/4"	20	12	56	60	92	60	TBC	0.33
1"	25	15.5	93	60	115	70	TBC	0.48

Dimensions shown are for guidance only

Material List

Body	Nickel Plated Brass
Ball	Chrome Plated Brass
Seats	PTFE
Stem	Brass
Stem O-Ring	PTFE
Stem Gasket	PTFE
Stuffing Box	Brass
Lever	Aluminium
Drain	Nickel Plated Brass
Plug	Nickel Plated Brass
Drain O-Ring	NBR
Plug O-Ring	NBR

Pressure / Temperature Ratings

Max Pressure	PN20
Temperature	-10°C to 90°C