



WRAS Approved Brass Ball Valve Butterfly Lever

- Economic - High Performance
- Blowout Proof Stem
- Maintenance Free
- Insulated Grip
- Long pattern
- WRAS Certificate on request
- ¼" to 1"

Description

General Purpose brass nickel plated ball valve - standard pattern with a butterfly handle PVC coated. Full bore, screwed BSPP female, anti blow out stem and PTFE seats. Good for general air and water duty. Applications - compressed air lines, isolation of liquids and confined spaces.

This valve is a WRAS approved product for use with potable water.



Description

A heavy duty brass nickel plated ball valve with butterfly handle operator that's used in many general industrial applications throughout the UK and Europe. Full flow with anti blowout stem up to 1".



Beschreibung

Ein Kugelhahn aus Messing mit vernickeltem Messing und Schmetterlingsgriff, der in vielen industriellen Anwendungen in Großbritannien und Europa eingesetzt wird. Voller Durchfluss mit Anti-Blowout-Schaft bis 1".



Descripción

Una válvula de bola de latón niquelado resistente con mango de mariposa que se utiliza en muchas aplicaciones industriales generales en todo el Reino Unido y Europa. Flujo completo con vástago anti reventón de hasta 1".

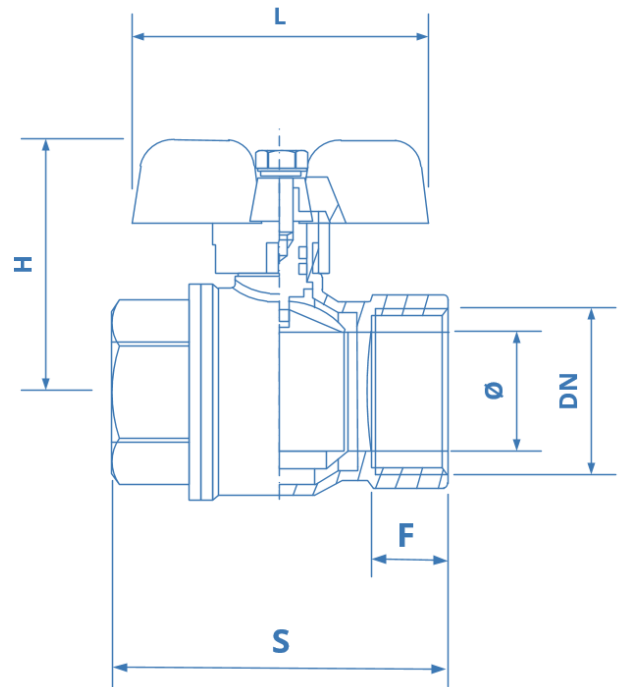


Description

Robinet à tournant sphérique en laiton nickelé robuste avec poignée papillon utilisé dans de nombreuses applications industrielles générales au Royaume-Uni et en Europe. Plein flux avec anti-éruption tige jusqu'à 1".

Standard Pattern General Purpose
Blue coated Butterfly Handle.
WRAS Approved.

European Manufacturer



Dimensions shown are for guidance only

Dimensions

Size	Ø	L	H	S	Kg	F	Kv	CV
1/4"	8	52	37	38	0.1	10	0.1	4.2
3/8"	10	52	38	42	0.12	11	0.12	76
1/2"	14.5	52	41	48	0.14	13	0.14	19.1
3/4"	19	60	48	57	0.23	14	0.23	29
1"	24	60	51	69	0.37	46	0.37	53

Material List

Body	Nickel plated brass
Body End	Nickel plated brass
Seat	PTFE
Ball	Chrome Plated Brass
Handle	Aluminium
O ring	NBR
Stem	Brass

Pressure / Temperature Ratings

Temperature	-20°C to 110°C
Working Pressure	PN40 1/4" - 1/2"
	PN32 3/4" - 1"

