

BV5046

Valves
ONLINE



Red Lever Brass Ball Valve BSI Gas Approved

- Economy Brass Ball Valve
- Full Bore, Nickel Plated Brass Body
- 1/4" - 4"
- PTFE Seats
- Anti Blow Out Stem
- Red Lever with Red and Blue Options
- WRAS and Gas Approved

Description

Brass nickel plated Brass (HT), full bore ball valve, certified to **EN331 British Gas and WRAS approved**. Screwed BSPP Female with PTFE Seats, NBR/Viton stem O Rings, Anti-Blow Out Stem. Yellow, Red or Blue PVC Coated Steel Lever. Typical Applications For Isolation of industrial and domestic process. Heating, Hot water, Cold Drinking water, oil, fuel, gas and air pipe systems



BSI Gas
Approved

WRAS
APPROVED
PRODUCT



Description

Full bore screwed BSPP female x female ball valve, with Yellow, Red or Blue PVC coated lever. Suitable and approved for use with drinking water or Natural Gas. Holds both WRAS approval and BSI Approval.
Certified EN331:1998 + A1:2015
Gas Temperature Range -20°C to + 110°C.
Water Temperature Range -20°C to + 70°C.



Beschreibung

BSPP-Innengewinde x Innengewinde mit Vollbohrung und gelbem, rotem oder blauem PVC-beschichtetem Hebel. Geeignet und zugelassen für die Verwendung mit Trinkwasser oder Erdgas. Enthält sowohl die WRAS-Zulassung als auch die BSI-Zulassung.
Zertifiziert nach EN331: 1998 + A1: 2015
Gastemperaturbereich -20 ° C bis + 110 ° C.
Wassertemperaturbereich -20°C bis + 70°C.



Descripción

Válvula de bola roscada hembra x hembra BSPP de paso total, con palanca recubierta de PVC amarillo, rojo o azul. Apto y homologado para su uso con agua potable o gas natural. Posee tanto la aprobación WRAS como la aprobación BSI.
Certificado EN331: 1998 + A1: 2015 Rango de temperatura del gas -20°C a + 110°C.
Rango de temperatura del agua de -20°C a + 70°C.



Description

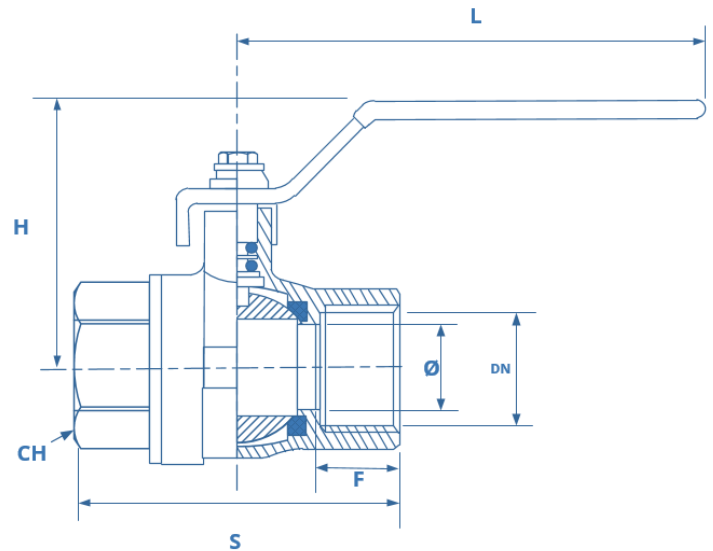
Vanne à bille vissée à passage intégral BSPP femelle x femelle, avec levier revêtu de PVC jaune, rouge ou bleu. Convient et approuvé pour une utilisation avec de l'eau potable ou du gaz naturel. Détient à la fois l'approbation WRAS et l'approbation BSI.
Certifié EN331: 1998 + A1: 2015 Plage de température du gaz -20°C à + 110°C.
Plage de température de l'eau -20°C à + 70°C.

Description

Brass Nickel Plated , Full Bore Ball Valve - EN331 British Gas and WRAS approved, screwed BSPP Female, PTFE Seats, NBR/Viton stem O Rings, Anti-Blow Out Stem. Yellow, Red and Blue PVC Coated Steel Lever.

Typical Applications For Isolation of industrial and domestic process. Heating, Hot water, Cold water, oil, fuel, gas and air pipe systems

Options
There are many options with regard to operators and threads:- Butterfly Lever, Lockable Lever Neck Extensions (good if lagging is required) Male x Female Thread, High pressure.



DIMENSIONS

Size	Ø	F	S	H	L	Boxes Qty	Kg	Pressure (bar)
1/2"	14.5	16.5	56.3	48.8	81	30	0.16	40
3/4"	19	17.4	34.5	55.3	105	10	0.27	32
1"	24	20.7	79.2	62.6	105	12	0.41	32
1 1/4"	30.5	22.5	88.7	69.6	120	6	0.62	25
1 1/2"	37	22.8	98.3	82.1	135	6	0.87	25
2"	47	27	119.8	94.1	160	4	1.5	25
2 1/2"	60	22	129	105	162	N/A	2.03	25
3"	74	23	148	143	272	N/A	3.72	16

Gas Temperature Range -20°C to 70°C.

Liquids Temperature Range -20°C to 110°C.

Pressure / Temperature Ratings	
Pressure	1/2" PN 40
Pressure	3/4" - 1" PN32
Pressure	1 1/4" - 2 1/2" PN25
Pressure	3" - 4" PN16
Water Temperature Range	-20°C to +110°C
Gas Temperature Range	-20°C to +70°C

Material List	
Body	Brass Nickel Plated
Ball	Chrome Plated Ball
Stem	Brass
Stem O-Rings	NBR
Lever	Steel PVC Coated