



Brass 3 Way Ball Valve

- L or T Port
- Economy Valve
- Sturdy operator
- -10°C to 120°C
- Manual Operation - Lever

DESCRIPTION

An economic manual three way, reduced bore ball valve in L or T port configuration. Screwed BSPP. Valve has PTFE seats and seals, brass nickel plated body. Lever operated only. This valve is used in general industrial and HVAC applications for diverting fluids.



Description

3 Way brass nickel plated ball valve. Reduced bore and screwed BSPP female ends. Supplied with red PVC coated lever. L or T Ported configuration. 1/4" - 2" 10°C to 120°C, 2 1/2" - 3" 15°C to 100°C. This valve offers economy with long life over a variety of applications.



Beschreibung

3-Wege-Kugelventil aus vernickeltem Messing. Reduzierte Bohrung und verschraubte BSPP-Buchsenenden. Lieferung mit rotem PVC-beschichtetem Hebel. L- oder T-portierte Konfiguration. 1/4" - 2" 10°C bis 120°C, 2 1/2" - 3" 15°C bis 100°C. Dieses Ventil bietet Wirtschaftlichkeit mit langer Lebensdauer für eine Vielzahl von Anwendungen.



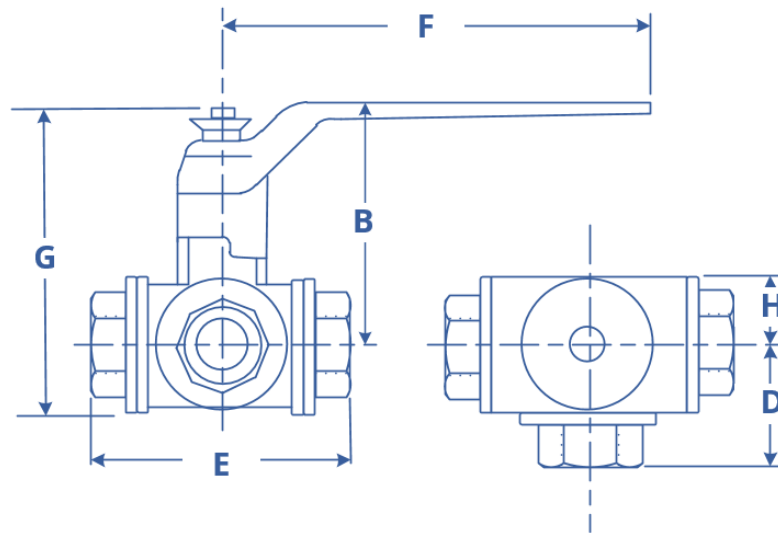
Descripción

Válvula de bola de 3 vías de latón niquelado. Taladro reducido y extremos hembra roscados BSPP. Se suministra con palanca recubierta de PVC rojo. Configuración con puerto L o T. 1/4" - 2" 10°C a 120°C, 2 1/2" - 3" 15°C a 100°C. Esta válvula ofrece economía con una vida útil prolongada en una variedad de aplicaciones.



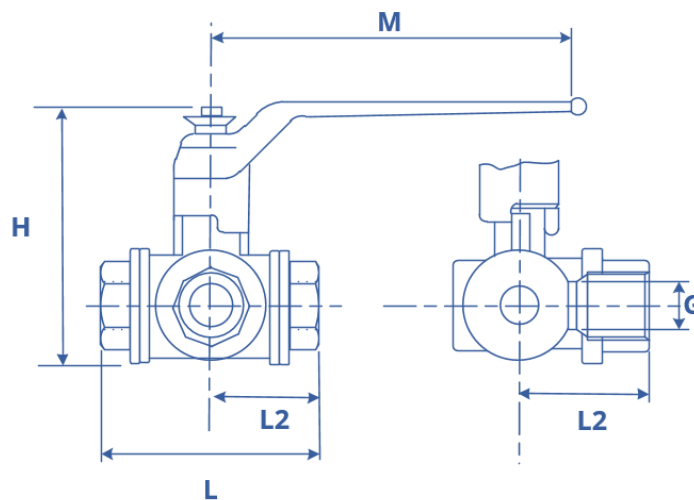
Description

Vanne à bille 3 voies en laiton nickelé. Alésage réduit et extrémités femelles BSPP vissées. Livré avec levier revêtu de PVC rouge. Configuration à port L ou T. 1/4" - 2" 10°C à 120°C, 2 1/2" - 3" 15°C à 100°C. Cette vanne offre une économie avec une longue durée de vie sur une variété d'applications.



Dimensions shown are for guidance only

Dimensions 1/4" - 2"								
SIZE	B	D	E	F	G	H	CH	DN
1/4"	65	38.5	77	125	75	22	22	10
3/8"	65	38.5	77	125	75	22	22	12
1/2"	65	38.5	77	125	75	22	27	13
3/4"	83	46	92	145	91	25	34	18
1"	96	52	104	170	105	30	41	23
1 1/4"	102	59	118	170	115	34	50	29
1 1/2"	109	69	138	170	128	40	57	36
2"	139	81	162	260	165	48	70	45



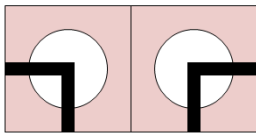
Dimensions 2 1/2"						
SIZE	L	L2	Ø	I	H	M
2 1/2"	194	97	50	35	124	240

Material List

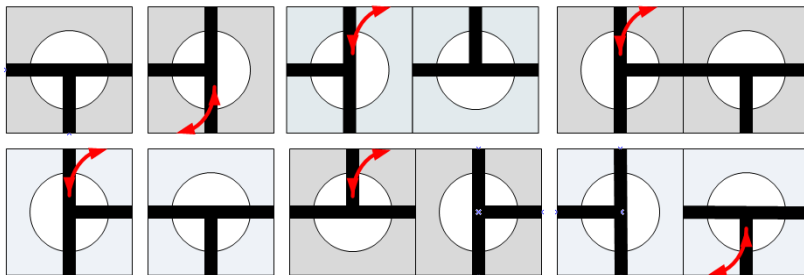
Body	Brass, Nickel plated
Ball	Brass Chrome plated
Seats	PTFE
Stem	Brass
Stem O-ring 1/4" - 2"	NBR
Stem O-ring 2 1/2" - 3"	Viton
Handle	Aluminium

Pressure / Temperature Ratings

Working Pressure	1/4" & 3/8" PN55
	1/2" & 3/4" PN50
	1" PN45
	1 1/4" to 2" PN35
Temperature	1/4" - 2" -10°C to 120°C
	2 1/2" - 3" -15°C to 100°C



Typical Flow paths for L port



Typical Flow paths for T port

Description

Three Way Brass Nickel Plated Ball Valve – L or T Port with Reduced bore Floating ball supported on four seats. Screwed BSPP female thread operated via a Red Aluminium handle.