

Ductile Iron Flanged Ball Valve, St. St Ball, PN16 Direct Mount

- Direct Mount – ISO 5211
- Flanged PN16
- Stainless Steel Ball and Stem
- -10° C to 150° C
- Lever Operated (Gearbox Option)
- PN16 Rated
- RPTFE Seats Viton O-Rings
- DIN 3202 F4 Face to Face ½" - 6" and F5 8"
- ½" - 8"
- Brass Ball and Stem Option

Description

A Ductile Iron Split Bodied ball valve. Flanged PN16, with raised face. RPTFE Seats, Viton O-Rings. Stainless Steel Ball and Stem. Steel Lever Operator. Face to Face DIN 3202 F4 ½"-6" and F5 8" Temperature -10° C to 150° C PN16 Pressure Rated. Body Epoxy Coated.

Suitable for Non Hazardous fluids.

- **OPTIONAL EXTRAS**
- **Locking Device**
- **Gearbox**
- **Cap Top**
- **Stem extension**
- **Handle Extension**



Description

A robust and reliable flanged ball valve for fitting in between PN16 flanges. Body material in Ductile Iron with a Stainless Steel Ball & Stem. Seats RPTFE and Viton O Rings. PN16 Rated. Manual lever handle operated. This valve offers bubble tight shut off for a wide range of applications including Gas, Air Water and Oil.



Beschreibung

Ein robuster und zuverlässiger Flansch-Kugelhahn zum Einbau zwischen PN16-Flansche. Körpermaterial aus duktilem Eisen mit Edelstahlkugel und Stiel. Sitze RPTFE und Viton O Ringe. PN16 bewertet. Manueller Hebelgriff betätigt. Dieses Ventil bietet eine blasendichte Absperrung für eine Vielzahl von Anwendungen, einschließlich Gas, Luft, Wasser und Öl.



Descripción

Una válvula de bola con brida robusta y confiable para encajar entre bridas PN16. Material del cuerpo en hierro dúctil con bola y vástago de acero inoxidable. Asientos RPTFE y juntas tóricas de Viton. PN16 nominal. Manejo de palanca manual operado. Esta válvula ofrece un cierre hermético para una amplia gama de aplicaciones que incluyen gas, aire, agua y aceite.

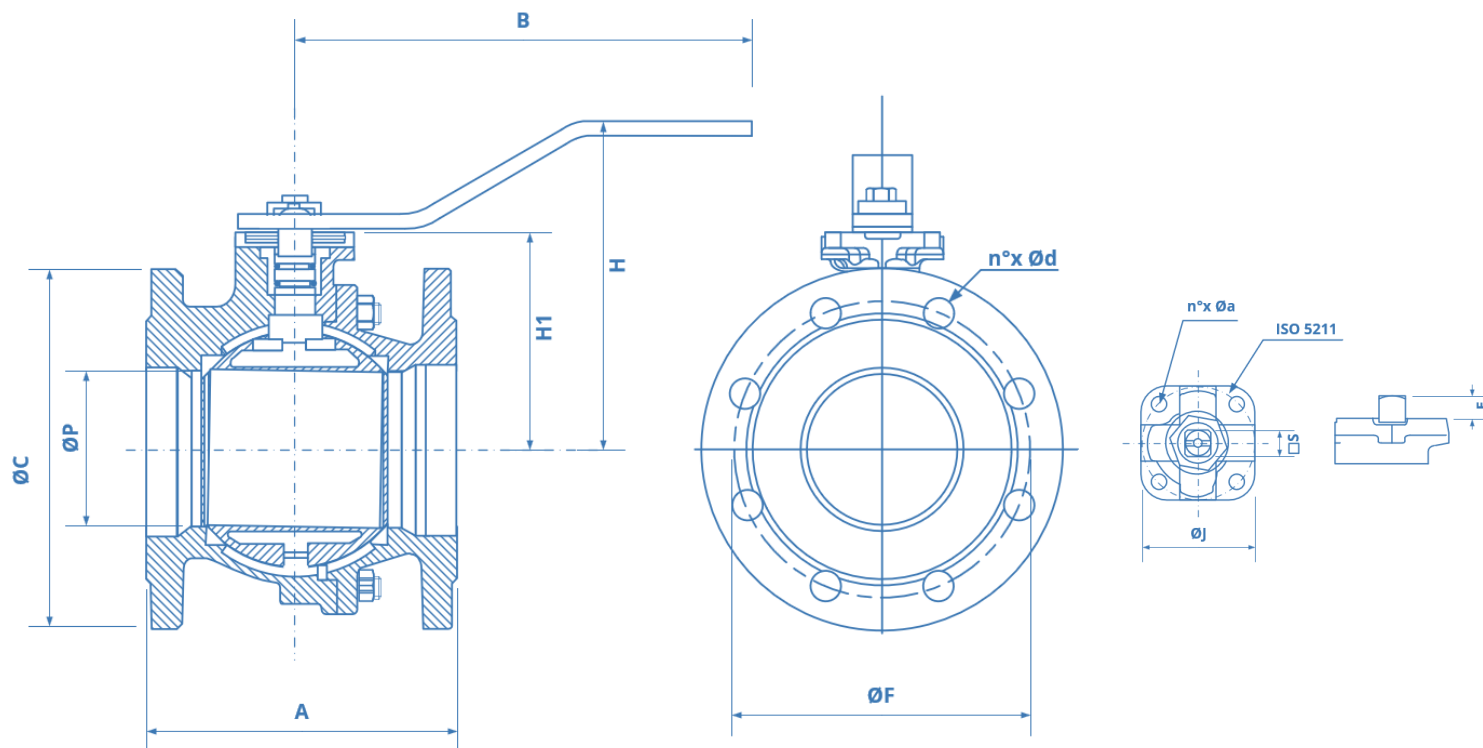


Description

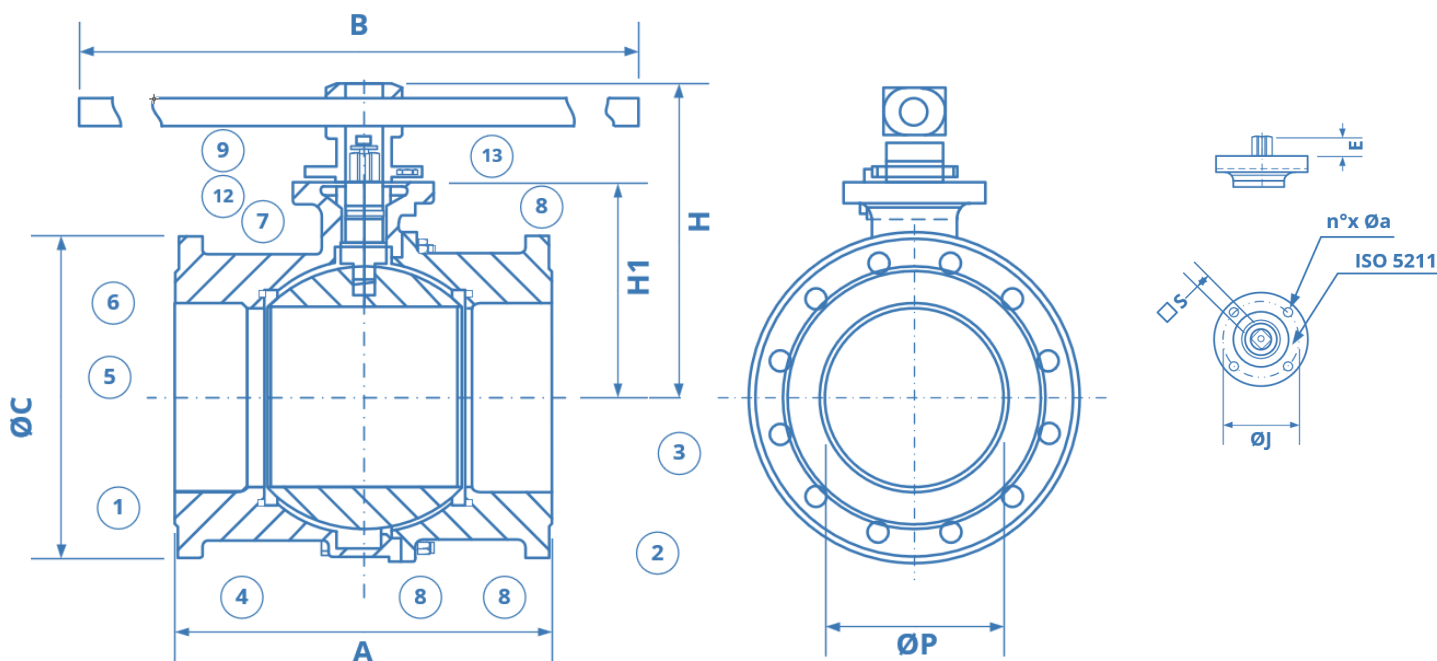
Un robinet à boisseau sphérique à brides robuste et fiable pour le montage entre les brides PN16. Matériau du corps en fonte ductile avec une bille et une tige en acier inoxydable. Sièges RPTFE et joints toriques Viton. Classé PN16. Poignée à levier manuelle actionnée. Cette vanne offre une fermeture étanche aux bulles pour une large gamme d'applications, y compris le gaz, l'air, l'eau et l'huile.

DIN 3202 F4 face to face 1/2" to 6" and F5 8"

1/2" to 6" Dimensional Drawing



8" Dimensional Drawing



ISO 5211 for Direct Mount, Flanged PN16, Ductile Iron Body, Stainless Steel Ball & Stem, RPTFE Seats, Viton O-rings, Steel Lever Operated, DIN 3202 F4 Face to Face ½" to 6", F5 8"

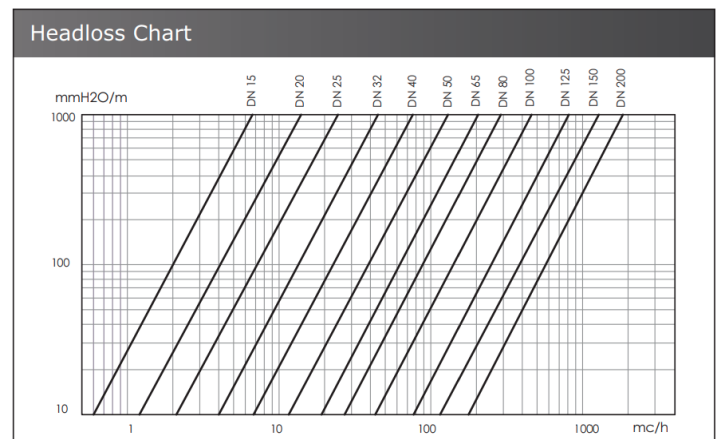
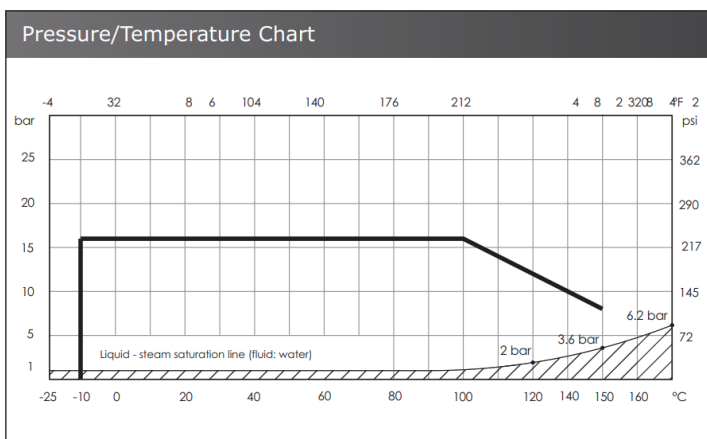
Material List		
No	Name of Parts	Materials
1	Body	EN GJS 400-15 Ductile Iron
2	Flange	EN GJS 400-15 Ductile Iron
3	Ball	AISI 304 Stainless Steel
4	Ball seat	Reinforced PTFE
5	Stem	AISI 304 Stainless Steel
6	Sliding Washer	PTFE
7	Ring	AISI 304 Stainless Steel
8	O-Ring	Viton
9	Lever	Carbon Steel Epoxy Coated
10	Stop Plate	Galvanised Carbon Steel
11	Spring Washer	Galvanised Carbon Steel

Pressure / Temperature Ratings	
Pressure	16 Bar
Temperature	-10°C to +150°C

Dimensions shown are for guidance only

*In order to choose the correct actuator, we recommend multiplying the Nm figure by a safety factor of 1.5

Dimensions																
Size	P	A	H	H1	B	C	F	ISO	J	n x d	n X a	E	S	Nm	Kv	Kg
1/2"	15	115	84	50.5	160	95	65	F04	42	4 x 14	4 x 6	11.5	9	15	22.3	2.6
3/4"	20	120	84	52	160	105	75	F04	42	4 x 14	4 x 6	11.5	9	15	47.7	3.3
1"	25	125	96	59	170	115	85	F04	42	4 x 14	4 x 6	14.5	11	18	83.5	4.2
1 1/4"	32	130	101	64	170	140	100	F04	42	4 x 18	4 x 6	14.5	11	18	150	5.8
1 1/2"	40	140	125	78.5	230	150	110	F05	50	4 x 18	4 x 7	17.5	14	18	255	7.5
2"	50	150	135	87	230	165	125	F05	50	4 x 18	4 x 7	17.5	14	20	435	9
2 1/2"	63	170	143	95	230	185	145	F05	50	4 x 18	4 x 7	17.5	14	40	672	10.5
3"	76	180	165	118	280	200	160	F07	70	8 x 18	4 x 9	20	17	70	947	15.5
4"	95	190	180	132.5	360	220	180	F07	70	8 x 18	4 x 9	20	17	100	1508	18.5
5"	120	200	225	165	450	250	210	F10	102	8 x 18	4 x 11	24.5	22	180	2633	28
6"	145	210	243	182.5	560	285	240	F10	102	8 x 22	4 x 11	24.5	22	250	4261	38.5
8"	190	400	320	230	1000	340	295	F12	125	8 x 22	4 x 13	27	27	600	5957	93



All information is sourced from our manufacturer's data and is intended for guidance only - Valves Online can accept no liability for changes, omissions or errors.