



## Stainless Steel Ball Valve with Spring Close Handle WRAS Approved

- Screwed BSPP
- Full Bore, Anti Blowout Stem
- CF8M Body, Ball & Stem
- Insulated Grip SRS Lever Handle
- PN63 Rated
- Temperature - 10° C to 180° C
- WRAS Approved

### Description

The BV is an economical spring energized handle, where the ball valve once operated will return to pre-determined closed position when the operator disengages from handle. The valve provides a safe and positive fail closed operation, offering reliable isolation. Full stainless steel construction of the ball valve provides excellent corrosion resistance for extended service life. Two piece full bore and PTFE seats. Screwed BSP.



### Description

Supplied in BSPP female thread this economy Spring Close manual (dead mans handle) is a reliable full bore, two piece ball valve. Manufactured in CF8M stainless steel with PTFE seats and offering low and smooth torque. This valve provides safe operation in both general industrial and chemical applications. Non Maintainable.



### Beschreibung

Deliefert mit BSPP Innengewinde ist dieses Economy Spring Close Manual (Totmangriff) ein zuverlässiger zweiteiliger Kugelhahn mit vollem Durchgang. Hergestellt aus CF8M-Edelstahl mit PTFE-Sitzen und bietet ein niedriges und gleichmäßiges Drehmoment. Dieses Ventil bietet einen sicheren Betrieb sowohl in allgemeinen industriellen als auch in chemischen Anwendungen. Nicht wartbar.



### Descripción

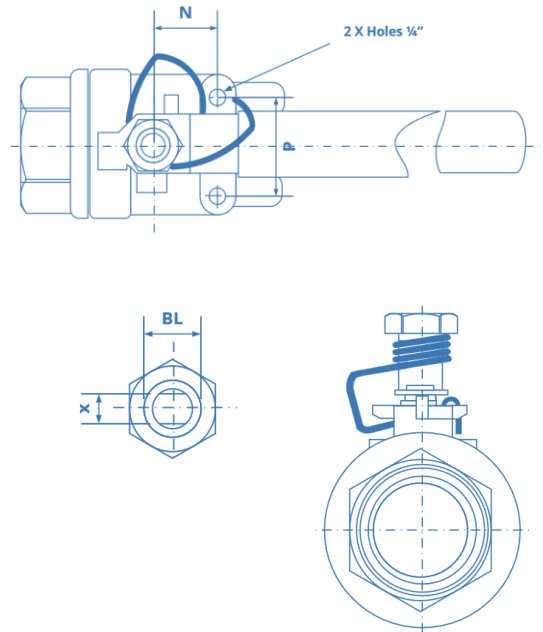
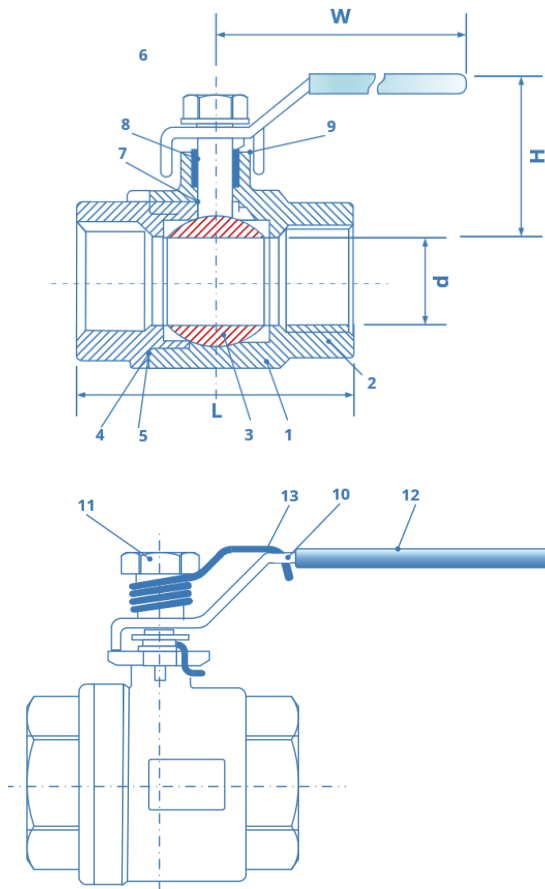
Suministrado en rosca hembra BSPP, este manual económico de cierre por resorte (manija de hombre muerto) es una válvula de bola de dos piezas de paso total confiable. Fabricado en acero inoxidable CF8M con asientos de PTFE y ofrece un par bajo y suave. Esta válvula proporciona un funcionamiento seguro en aplicaciones industriales y químicas generales. No Mantenable.



### Description

Fourni dans un filetage femelle BSPP, ce manuel économique à fermeture à ressort (poignée d'homme mort) est un robinet à tournant sphérique fiable à passage intégral et en deux pièces. Fabriqué en acier inoxydable CF8M avec des sièges en PTFE et offrant un couple faible et doux. Cette vanne assure un fonctionnement sûr dans les applications industrielles et chimiques générales. Non maintenable.





## Screwed BSPP, Full Bore, Stainless Steel Body, Ball & Stem, PTFE Seats & Seals, Anti Blowout Stem, Spring Close Lever

### Technical and Parts List

No.	Part Name	Material
1	Body	ASTM A351Gr. CF8M
2	Cap	ASTM A351Gr. CF8M
3	Ball	ASTM A351Gr. CF8M
4	Ball seat	PTFE
5	Joint Gasket	PTFE
6	Stem Packing	AISI 316
7	Thrust Washer	PTFE
8	Stem Packing	PTFE
9	Gland Nut	AISI 304
10	Handle Sleeve	AISI 304
11	Stem Nut	AISI 304
12	Plastic Cover	VINYL
13	Spring	AISI 304

### Specification

Pressure range	PN63
Size	1/4" to 2"
Temperature range	minus 10° to + 180°
Movement	90 deg turn
Port	Full Bore

### Dimensions

Size	d	L	H	W	S	S1	X	N	P	BL	Cv	W(kg)
1/2"	15	57	53	95	16.8	10.2	5	12.5	25	5/16"	11.2	0.58
3/4"	20	65	59.5	110	21	13.5	6.5	21	24	3/8"	21	0.75
1"	25	76	73	135	24	16	8	22.5	33.5	7/16"	35	1.08
1 1/4"	32	87.5	79	135	25	16	8	23.5	38.1	7/16"	57	1.85
1 1/2"	38	102	90.5	165	26.5	17	9	23.5	38.1	1/2"	80	2.6
2"	50	123	98.5	165	26.5	17	9	23.5	38.1	1/2"	148	3.94

