



VKDLA Double Union Ball Valve, BS Female Ends with ABS Body

- Size Range 1/2" - 2" Imperial Solvent
- Full Flow
- EPDM or FPM Seals
- Manual Lever
- Ends in Accordance with BS 5392
- DualBlock System
- Fully Maintainable
- Easy to Actuate

Description

The VKD DualBlock® ball valve is a fully unionised valve that stands up to the most severe industrial applications and probably one of the most technically advanced on the market. Sizes range from 1/2" - 2" in BS Imperial Solvent female end connections. Easy removal of the valve body from the pipe system, allows replacement of the valve seals and seats without any additional equipment. EPDM and FPM seals are offered as options. Pressure rating: Maximum working pressure: 16 bar at 20°C. Options to fit an electric or pneumatic actuator utilising our GR-PP Mounting kit (see Options). The Imperial system is manufactured in accordance with the relevant British Standards: BS 5392 fittings. Components in the imperial and metric ranges are not interchangeable.

Patented DualBlock® system: The locking device ensures the union nuts are retained in position, even under the most arduous conditions, i.e. vibration or thermal expansion. Patented Seat Stop® ball seat carrier, with micro adjustment of the ball seats and 'take up' of axial pipe loads, which can all be done without the need to drain the system



Description

An ABS plastic bodied ball valve, which is possibly the most advanced on the market. Offering you peace of mind that is synonymous with Durapipe (FIP) products. Offered as a manual isolating valve and easily adapted to operate with actuators, this valve has options for both seal material and end connections. Sizes range from 1/2" - 2" BS Imperial Solvent Female ends, with BSP threaded and metric solvent weld ends.



Beschreibung

Ein Kugelhahn mit ABS-Kunststoffgehäuse, der möglicherweise der fortschrittlichste auf dem Markt ist. Ihnen die Gewissheit zu bieten, die für Durapipe (FIP)-Produkte gleichbedeutend ist. Dieses Ventil wird als manuelles Absperrventil angeboten und lässt sich leicht für den Betrieb mit Stellantrieben anpassen. Dieses Ventil bietet Optionen für Dichtungsmaterial und Endanschlüsse. Die Größen reichen von 1/2" - 2" BS Imperial Solvent Female-Enden mit BSP-Gewinde und metrischen Solvent-Schweißenden.



Descripción

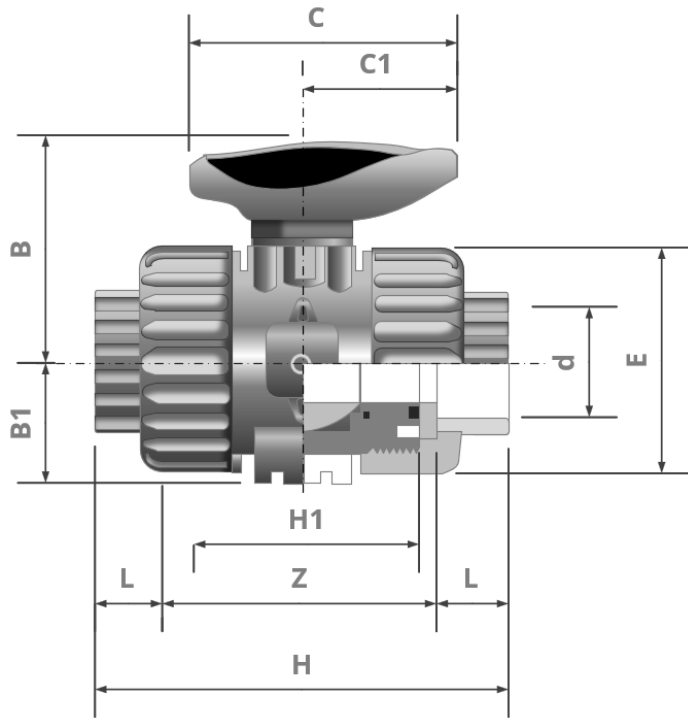
Una válvula de bola con cuerpo de plástico ABS, posiblemente la más avanzada del mercado. Ofreciéndole la tranquilidad que es sinónimo de los productos Durapipe (FIP). Ofrecida como una válvula de aislamiento manual y fácilmente adaptable para operar con actuadores, esta válvula tiene opciones tanto para el material del sello como para las conexiones finales. Los tamaños van desde 1/2" - 2" BS Imperial Solvent Hembra, con rosca BSP y extremos métricos para soldadura solvente.



Description

Une vanne à boisseau sphérique en plastique ABS, probablement la plus avancée du marché. Vous offrir la tranquillité d'esprit synonyme des produits Durapipe (FIP). Proposée en tant que vanne d'isolement manuelle et facilement adaptable pour fonctionner avec des actionneurs, cette vanne dispose d'options pour le matériau d'étanchéité et les connexions d'extrémité. Les tailles vont de 1/2 po à 2 po d'extrémités femelles à solvant impérial BS, avec des extrémités à souder à solvant fileté BSP et métriques.

BV5524



Body Material offered in:

- ABS** Acrylonitrile Butadiene Styrene
- PVC** Polyvinyl Chloride Unplasticised
- PP** Polypropylene

Seat Options:

- EPDM** Ethylene Propylene Diene Monomer
- FPM** Fluorocarbon Rubber

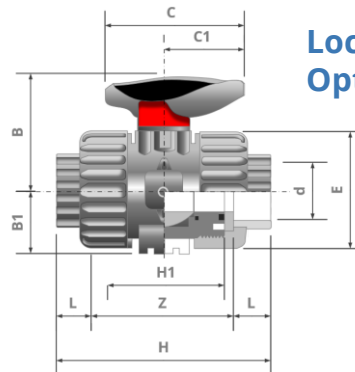
Dimensions - BS 5392 Female Solvent Ends

d	DN	PN	L	Z	H	H1	E	B	B1	C	C1	N/m
1/2"	15	16	16.5	70	103	65	54	54	29	67	40	3
3/4"	20	16	19	77	115	70	65	65	34.5	85	49	4
1"	25	16	22.5	83	128	78	73	69.5	39	85	49	6
1 1/4"	32	16	26	94	146	88	86	82.5	46	108	64	7
1 1/2"	40	16	30	104	164	91	98	89	52	108	64	10
2"	50	16	36	127	199	111	122	108	62	134	76	16

DualBlock® ball valve with BS series female ends for solvent welding

Serial/Series Number VKDLA

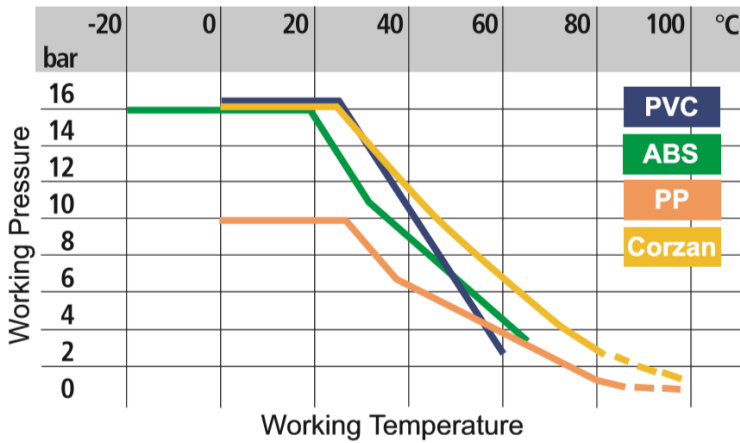
ABS			
d	grams	EPDM Code	FPM Code
1/2"	210	HO DKA 102	HO DKB 102
3/4"	335	HO DKA 103	HO DKB 103
1"	448	HO DKA 104	HO DKB 104
1 1/4"	678	HO DKA 105	HO DKB 105
1 1/2"	955	HO DKA 106	HO DKB 106
2"	1667	HO DKA 107	HO DKB 107



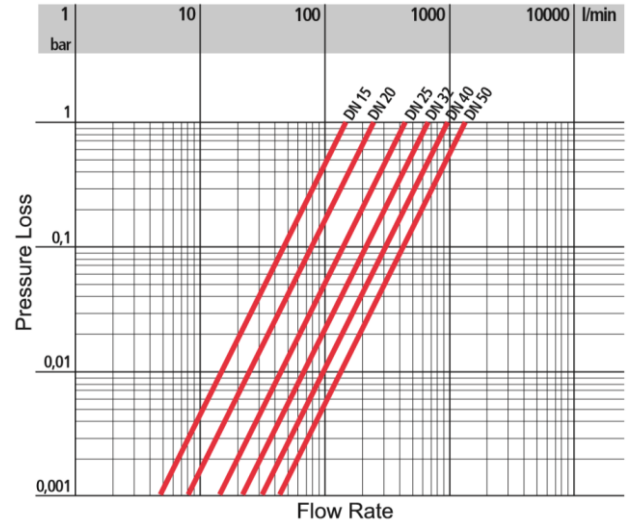
**Lockable Handle
Option. DLE & DLF**

All information is sourced from our manufacturer's data and is intended for guidance only - Valves Online can accept no liability for changes, omissions or errors.

Dimensions and Standards



Pressure/temperature rating for water and harmless fluids to which the material is RESISTANT. In other cases a reduction of the PN is required. (25 years with safety factor).



DN	10	15	20	25	32	40	50
k_{v100}	80	200	385	770	1100	1750	3400

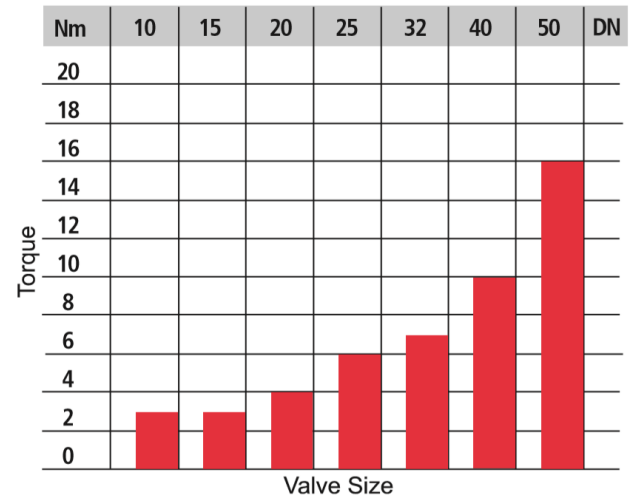
Flow coefficient k_{v100}

k_{v100} is the number of litres per minute of water at a temperature of 20°C that will flow through a valve with a one bar pressure differential at a specified rate. The k_{v100} values shown in the table are calculated with the valve fully open.

Imperial The Imperial System is manufactured in accordance with the relevant British Standards: BS 5392 fittings.

Metric The Metric System is manufactured generally in accordance with the relevant International Standards: ISO 15493, KIWA 49 and 549, DIN 8062 and 8063.

BSP Thread Threaded fittings conform to the requirements of BS 21/DIN 2999/ISO7. Socket dimensions of metric fittings for solvent welding comply with ISO/DIS 727-1. Interchangeability Components in the imperial and metric ranges are not interchangeable

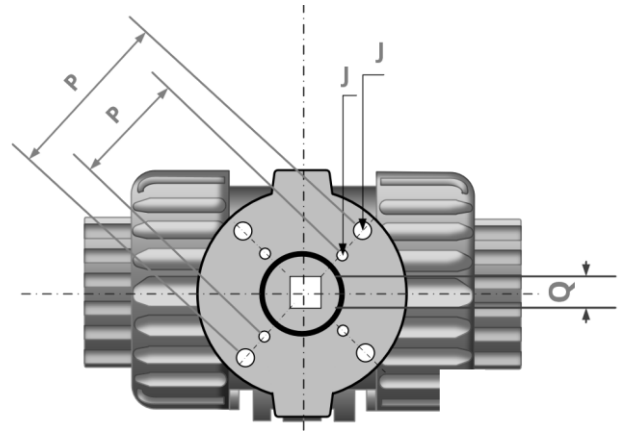
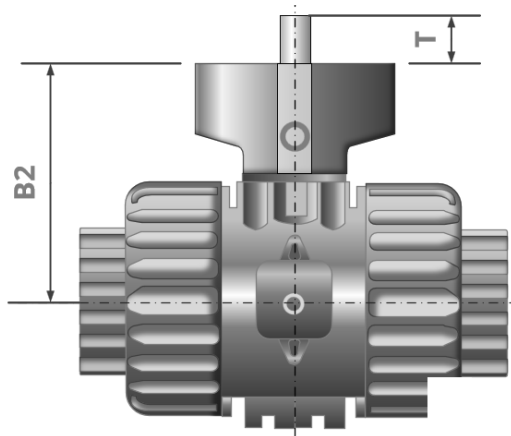


Torque at max. working pressure: 16 Bar.

DN (nominal bore)	Metric Size (mm)	Imperial Size (inch)
10	16	3/8"
15	20	1/2"
20	25	3/4"
25	32	1"
32	40	1 1/4"
40	50	1 1/2"
50	63	2"
65	75	2 1/2"
80	90	3"
100	110	4"
125	140	5"
150	160	6"
200	225	8"
250	250	10"
300	315	12"

Accessories

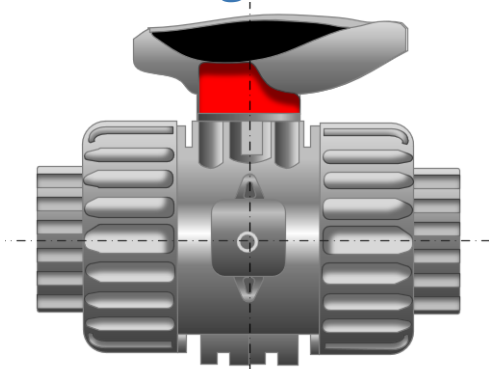
Mounting Bracket



The valve can be supplied actuated, pneumatic or electric, by our Actuation Department. The GR-PP mounting bracket (with standard ISO 5211 drillings) can be supplied for self-actuation and/or retrofitting of actuators to installed valves

d	DN	B2	Q	T	P x J	P x J	Product Code
1/2" - 20	15	58	11	12	F03 x 5.5	F04 x 5.5	KTPQPEF
3/4" - 25	20	69	11	12	F03 x 5.5	F05 x 6.5	KTPQPGG
3/4" - 25	20	69	11	12		F04 x 5.5	KTPQPG4
1" - 32	25	74	11	12	F03 x 5.5	F05 x 6.5	KTPQPHH
1" - 32	25	74	11	12		F04 x 5.5	KTPQPH4
1 1/4" - 40	32	91	14	16	F05 x 6.5	F07 x 7.5	KTPQPII
1 1/2" - 50	40	97	14	16	F05 x 6.5	F07 x 7.5	KTPQPJJ
2" - 63	50	114	14	16	F05 x 6.5	F07 x 7.5	KTPQPLL

Locking Device



Handle Locking Kit 0°- 90° - with option to fit padlock

d	DN	Product Code
3/8" - 16	10	KTSHKDEF
1/2" - 20	15	KTSHKDEF
3/4" - 25	20	KTSHKDGH
1" - 32	25	KTSHKDGH
1 1/4" - 40	32	KTSHKDIJ
1 1/2" - 50	40	KTSHKDIJ
2" - 63	50	KTSHKDLL

pneumatic



Electric

Valves
J+J
HQ004

All information is sourced from our manufacturer's data and is intended for guidance only - Valves Online can accept no liability for changes, omissions or errors.