

3 – Way Manual PVC-U Ball Valve



- PVC-U
- 3 Way Ball Valve
- L or T Port
- EPDM Seals
- Imperial or Metric Solvent Socket
- 3/4" to 2" & 25mm to 63mm
- EN 1452 Part 3, DIN 2999, ISO 7/1

Description

Offered in both Imperial and Metric solvent socket end connections this PVC-U three way ball valve is available with T or L ported diverting port options. Lightweight but strong offering the chemical resistance properties of PVC-U, which is excellent and resistant to most solutions of acids, alkalis, salts and solvents that are mixed with water (for complete clarity and suitability please use our online chemical resistance chart). The seats are PTFE and the seals are EPDM and the valve which is for manual use only come in sizes ranging from 3/4" - 2" (25mm-63mm). An easy grip handle is supplied for open and closing operation.

Typical Applications

For Use on diverting and Isolation of industrial and domestic process. Fitted in PVC-U pipework.

Cleaner and solvent weld solutions are readily available to fix the valve in place.



Description

A three way PVC-U ball valve designed for manual diverting and isolation. PN 10 Bar rated at 20°C and maximum working temperature up to 60°C. PTFE seats and EPDM seals, with ABS handle. Solvent imperial and metric sockets, according to UNE-EN ISO 1452.



Beschreibung

Ein Dreiweg-PVC-U-Kugelhahn zur manuellen Umleitung und Isolierung. PN 10 Bar bei 20°C und maximaler Arbeitstemperatur bis 60°C. PTFE-Sitze und EPDM-Dichtungen mit ABS-Griff. Lösungsmittel imperiale und metrische Sockel gemäß UNE-EN ISO 1452.



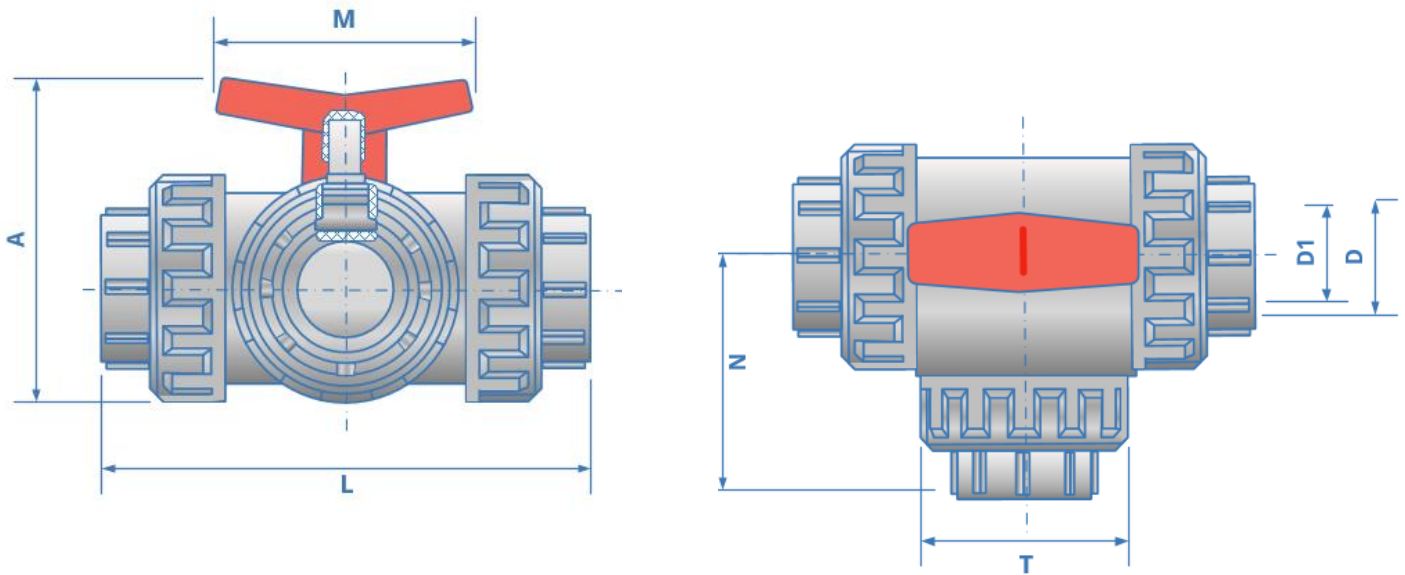
Descripción

Una válvula de bola de PVC-U de tres vías diseñada para desviación y aislamiento manual. PN 10 Bar clasificado a 20°C y temperatura máxima de trabajo de hasta 60°C. Asientos de PTFE y sellos de EPDM, con mango de ABS. Tomas imperiales y métricas solventes, según UNE-EN ISO 1452.



Description

Vanne à boisseau sphérique en PVC-U à trois voies conçue pour la déviation et l'isolement manuels PN 10 Bar évalué à 20°C et température de fonctionnement maximale jusqu'à 60°C. Sièges PTFE et joints EPDM, avec poignée ABS. Douilles impériales et métriques à solvant, selon UNE-EN ISO 1452.



Dimensions shown are for guidance only

Dimensions

Size	D1	D	L	A	M	T	N
3/4"	20	25	123	87	85	55	62
1"	25	32	147	104	100	66	74
1 1/4"	32	40	169	115	100	79	82
1 1/2"	40	50	209	145	127	102	104
2"	50	63	230	160	127	111	117

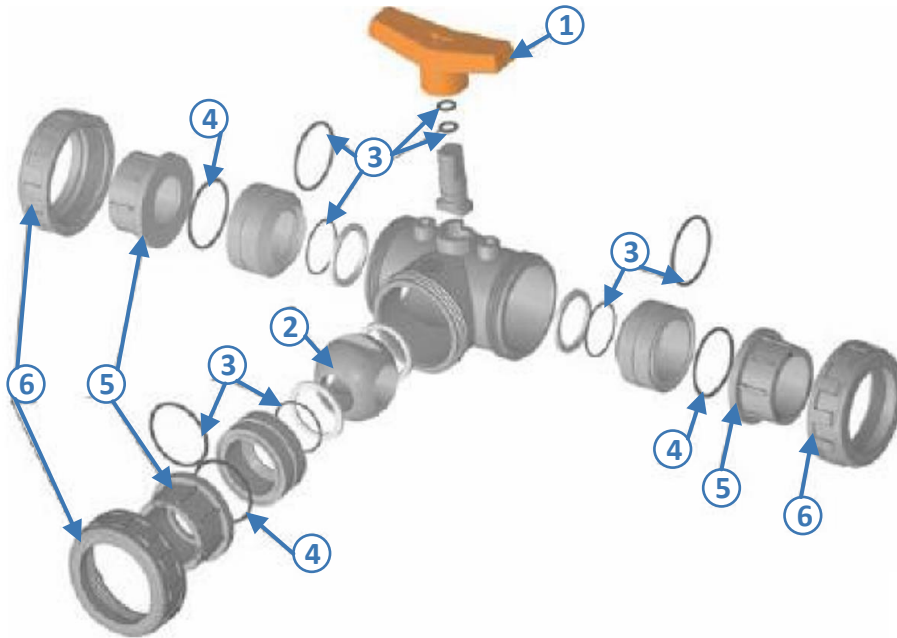
T – PORT VALVE Opening Positions

L – PORT VALVE Opening Positions

POSITION				
1	2	3	4	5
	90°	180°	270°	360°

POSITION				
1	2	3	4	5
	90°	180°	270°	360°





Components		
Item No.	Component	Material
1	Handle	Polypropylene
2	Ball	PVC-U
3	Shafts O Ring	EPDM
4	Seat O Ring	EPDM
5	Bush	PVC-U
6	Nut	PVC-U