

WRAS APPROVED ABS

DOUBLE UNION BALL VALVE

Key features:

- ABS industrial ball valve
- Sizes available: ½" to 3"
- EPDM seals
- Imperial solvent socket end connections
- Manual lever
- ABS is suitable for use over a wide temperature range from -40°C to 70°C
- Maximum working pressure of 16 bar for sizes ½" to 2"
- Maximum working pressure of 10 bar for sizes 2½" to 3"
- WRAS approved



DETAILS

The WRAS approved ABS industrial double union ball valve is with imperial solvent socket connections and is available in sizes ½" to 3".

The valve has an ABS body, EPDM seals and is operated with a manual lever.

The chemical resistance properties of ABS are good for most diluted inorganic acids, organic acids, animal fats and oils and salts.

ABS is not resistant to acetic acid, alcohol, organic solvents, petrol and vegetable oil.

The valve has a working temperature range of -40°C to 70°C and a maximum working pressure of 16 bar for sizes ½" to 2" and 10 bar for sizes 2½" to 3".

The valve has WRAS approval, with the material meeting the requirements of the Water Regulations Advisory Scheme for potable water.

A valid certificate and approval number can be obtained upon request.



WRAS APPROVED ABS

DOUBLE UNION BALL VALVE

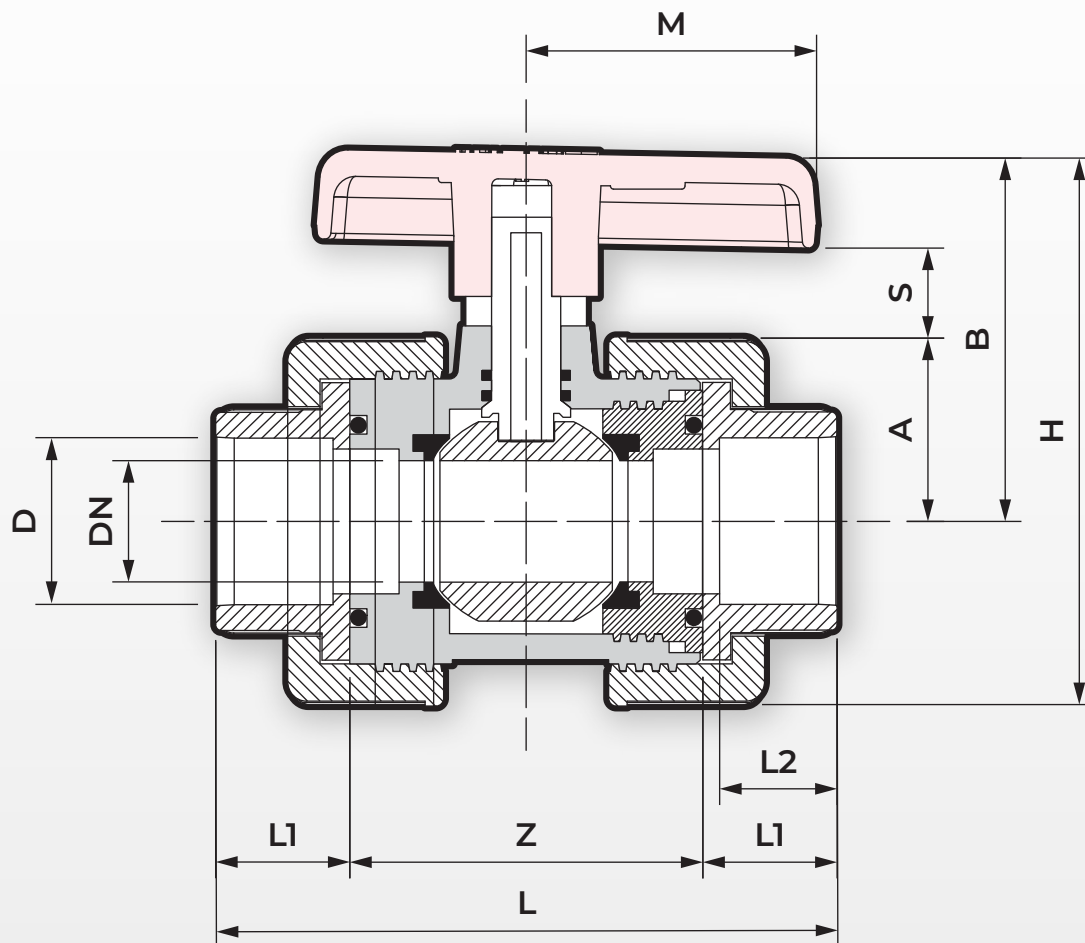


TABLE 1: DIMENSIONS IN MM

Size D	A	B	H	L	M	S	Z	L1	L2	GR
1/2"	48	46	70	84	35	10	44	20	17	193
3/4"	68	71	105	112	54	18	66	23	19	236
1"	68	71	105	126	54	18	66	30	23	343
1 1/4"	95	93	141	149	65	21	88	30.5	27	489
1 1/2"	95	93	141	157	65	21	88	34.5	31	712
2"	115	107	164	190	74	23	102	44	38	1269
3"	185	148	240	249	123	30	130	59	51	2950

WRAS APPROVED ABS

DOUBLE UNION BALL VALVE

TABLE 2: MATERIALS

Part	Materials
Body	ABS
Union nuts	ABS
Union end	ABS
Valve seats	HYTREL
Valve O-rings	EPDM
Ball	ABS
Handle	ABS

TABLE 3: PART NUMBERS

Size	DN15	SKU
1/2"	DN20	BV5564-221859
3/4"	DN25	BV5564-221860
1"	DN25	BV5564-221861
1 1/4"	DN32	BV5564-221862
1 1/2"	DN40	BV5564-221863
2"	DN50	BV5564-221864
2 1/2"	DN65	BV5564-221865
3"	DN80	BV5564-221866