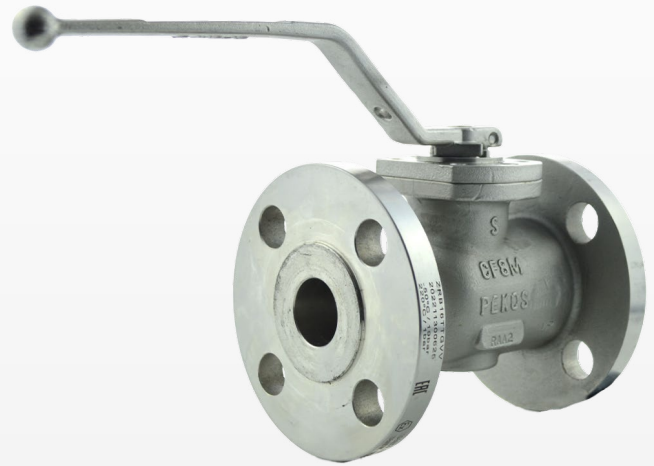


PEKOS STAINLESS STEEL REDUCED

BORE FLANGED ANSI 150 BALL VALVE

Key features:

- 1-piece stainless steel body
- Reduced bore
- Lever operated (gearbox version on request)
- Flanged ANSI 150 connections
- Sizes available: 1/2" to 8" (larger sizes on request)
- Pressure rated: Class 150
- Temperature rated: -29°C to 180°C
- ATEX Approved

**DETAILS**

The Pekos Fig ZRB 16 TTTGV ANSI 150 stainless steel reduced bore ball valve is a one piece, ATEX certified ball valve suitable for a wide range of industries.

Manufactured in accordance with many standards including: API 598, API 6D, BS 6755-1, API 6D, B16.34, ANSI B16.5, ANSI B16.10, ISO 5211 and NACE MR0175.

The valve carries a wide range of approvals including: Fire Safe, TA-Luft, ATEX 94-9EC, API 6D, PED 97/23/CE, SIL 3 Capable and EN161/EN264.

3.1 Material Certification included as standard.

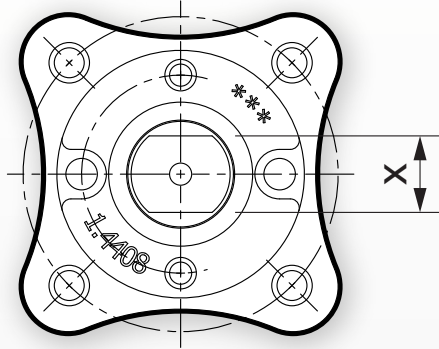
This valve is offered with PTFE seats as standard, however, a wide range of alternative seats materials are available for different applications (cryogenic, elevated temperatures, etc).

If alternative seats/seals are required, please get in touch.

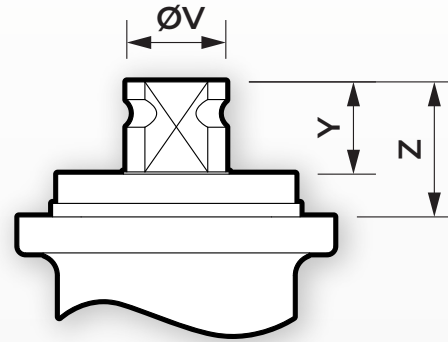
Call 01822 855600 to discuss your project or application further with a member of our technical team or contact us via our online form.

PEKOS STAINLESS STEEL REDUCED

BORE FLANGED ANSI 150 BALL VALVE



TOP PLATE DETAIL



STEM DETAIL

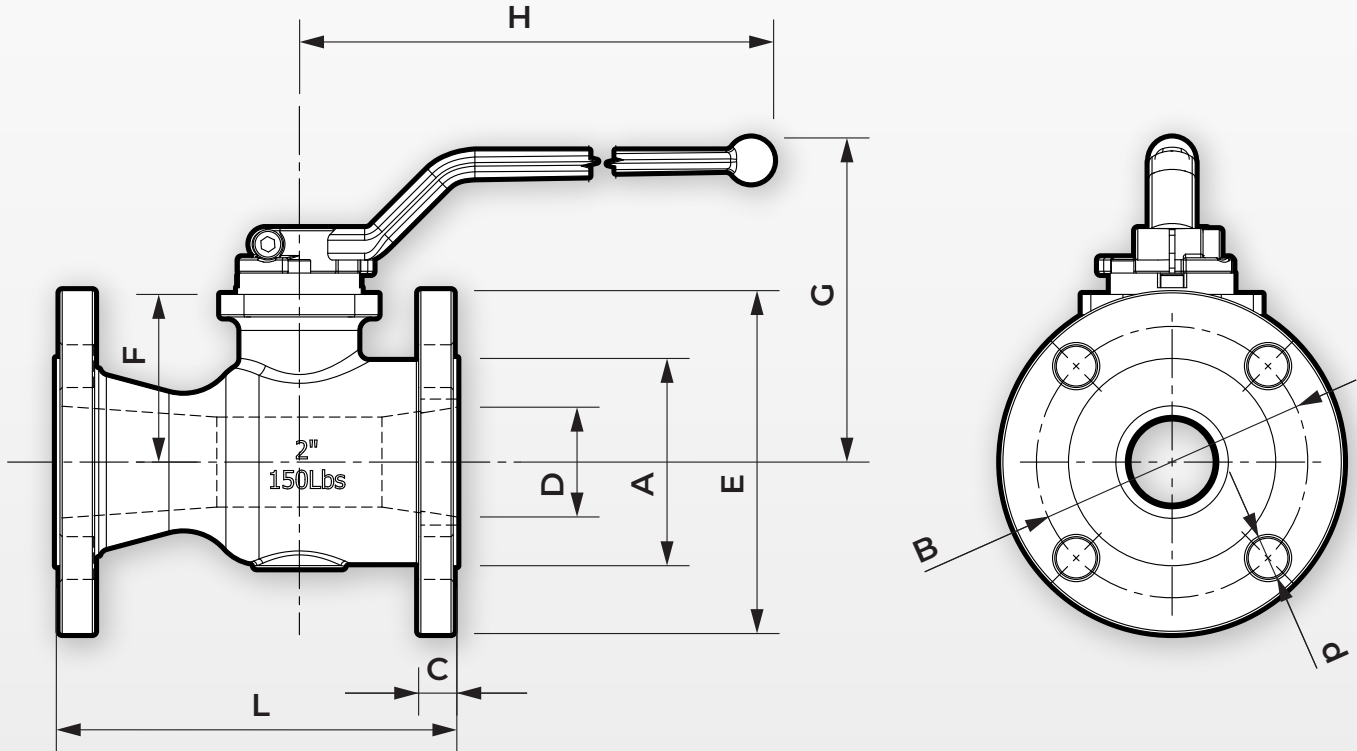


TABLE 1: DIMENSIONS IN MM & TECHNICAL INFORMATION

DN	CL	D	L	E	A	B	C	F	H	G	V	X	Y	Z	n x d	ISO 5211	Torque	MAST	Weight
1/2"	150	10	108	89	35	60	11	43	185	91	12	8	13	16	4 x 16	F05	7 Nm	-	1.9 kg
3/4"	150	15	117	98	43	70	13	46	185	94	12	8	13	16	4 x 16	F05	9 Nm	-	2.4kg
1"	150	20	127	110	51	79	13	47	185	110	14	11	11	13.5	4 x 16	F05	11 Nm	42.4 Nm	3.4 kg
1-1/2"	150	32	165	125	73	98	16	57	185	120	18	14	17	19.5	4 x 16	F05	16 Nm	92.2 Nm	5.5 kg
2"	150	40	178	150	92	121	17	75	293	147	22	17	20	30.0	4 x 19	F07	32 Nm	244.3 Nm	9.0 kg
3"	150	65	203	190	127	152	21	96	293	168	22	17	20	30.0	4 x 19	F07	48 Nm	244.3 Nm	17.5 kg
4"	150	80	229	230	157	191	25	114	350	204	28	22	22	40.0	8 x 19	F10	103 Nm	509.7 Nm	25.8 kg
6"	150	111	267	280	216	241	26	149	740	261	36	27	35	50.0	8 x 22	F12	187 Nm	1047.2 Nm	46.3 kg
8"	150	144	292	345	270	299	30	173	740	285	36	27	35	50.0	8 x 22	F12	383 Nm	1047.2 Nm	78.0 kg

PEKOS STAINLESS STEEL REDUCED

BORE FLANGED ANSI 150 BALL VALVE

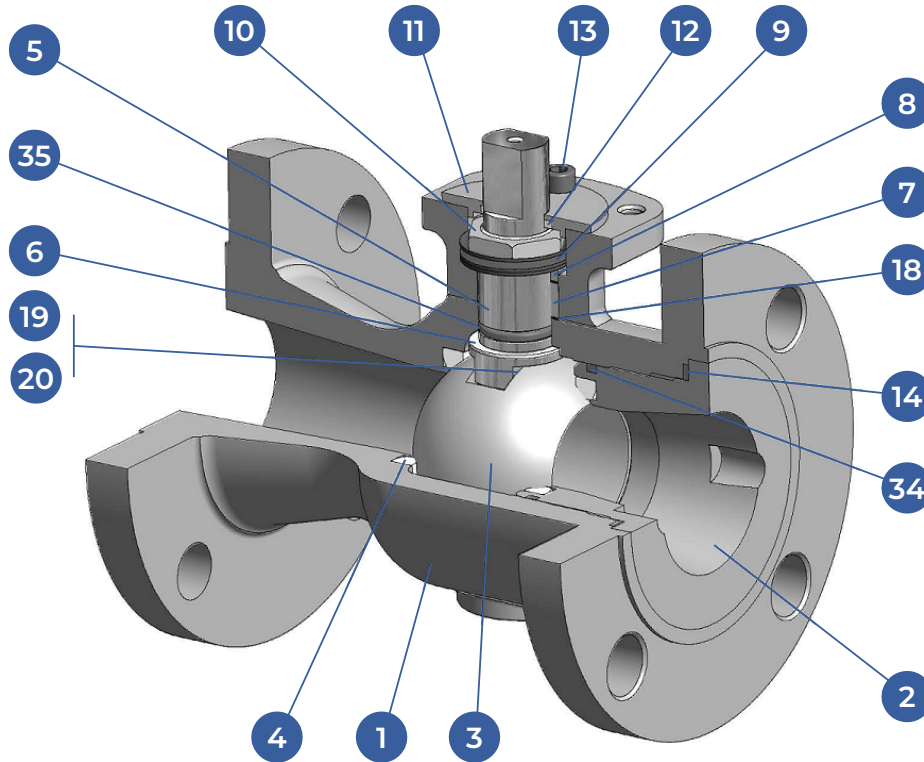


TABLE 2: MATERIALS
SIZES: 1/2" AND 3/4"

Part	Description	Material
1	Body 1	S.S. A351 CF8M
2	Body 2	S.S. A351 CF8M
3	Ball	S.S. A351 CF8M
4	Seat	PTFE
5	Stem	S.S. AISI 316
6	Stem seal	PTFE+FG
7	Stem packing 1	Graphite
8	Gland packing	S.S. AISI 316
9	Spring washer	S.S. AISI 301
10	Stem nut	S.S. AISI 303
11	Cover	S.S. A351 CF8M
12	Cover ring	PTFE
13	Cover bolt	A4-70
14	Body seal 1	Graphite
16	Handle	WCB
17	Handle bolt	1.045 (8.8)
18	Thrust washer	PTFE+CG
19	Spring	S.S. AISI 302
20	Ball	S.S. AISI 316
34	Body seal 2	Viton GLT
35	O-ring stem	Viton GLK

PEKOS STAINLESS STEEL REDUCED

BORE FLANGED ANSI 150 BALL VALVE

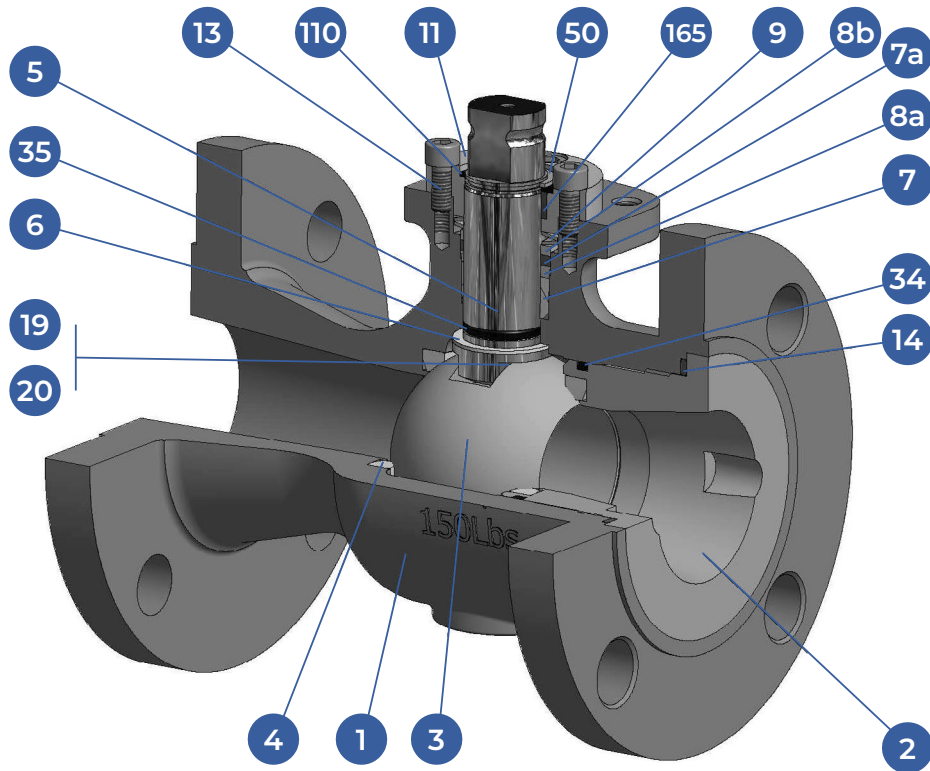


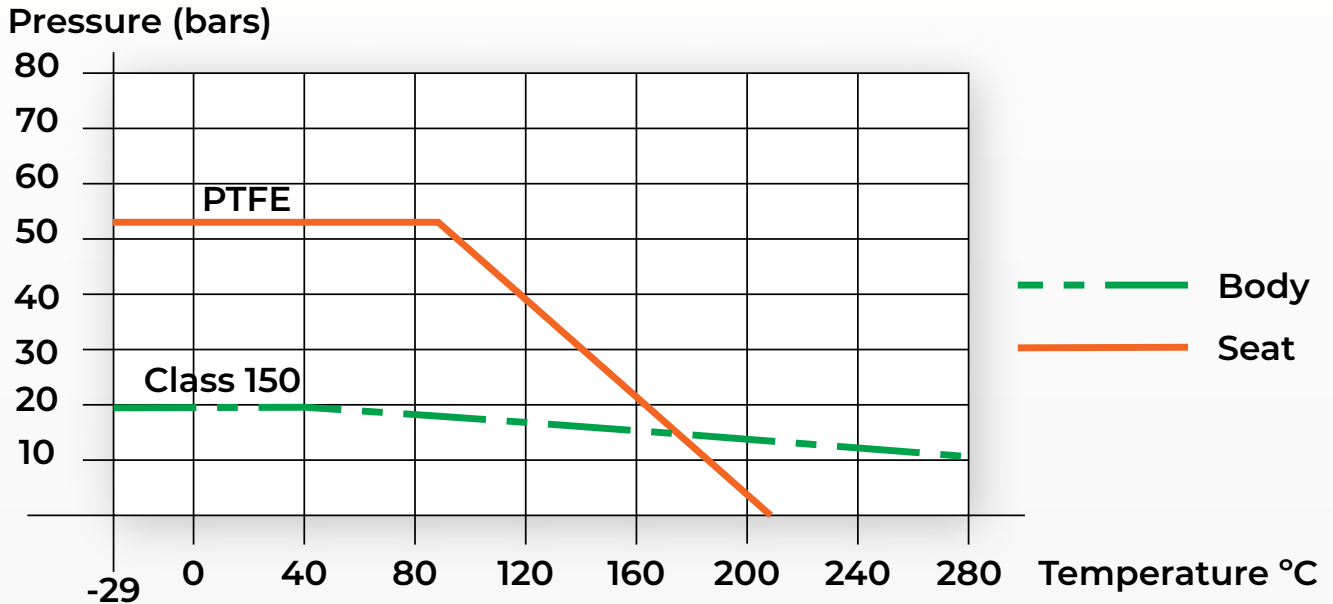
TABLE 3: MATERIALS
SIZES: 1" TO 8"

Part	Description	Material
1	Body 1	S.S. A351 CF8M
2	Body 2	S.S. AISI 316
3	Ball	S.S. A351 CF8M
4	Seat	PTFE
5	Stem	S.S. AISI 316
6	Stem seal	PTFE+FG
7	Stem packing 1	PTFE
7a	Stem packing 2	Graphite
8a	Gland packing	S.S. AISI 316
8b	Gland packing 1	S.S. AISI 316
9	Spring washer	S.S. AISI 301
11	Cover	S.S. A351 CF8M
13	Cover bolt	S.S. (316)
14	Body seal 1	Graphite
16	Handle	WCB
17	Handle bolt	1.045 (8.8)
19	Spring	S.S. AISI 316
20	Antistatic ball	S.S. AISI 316
34	Body seal 2	FKM (Viton)
35	O-ring stem	FKM (Viton)
50	Subjection ring	S.S. AISI 420
110	Subjection ring seal	S.S. AISI 316 Nitrided
165	Stem bearing	PTFE+FG

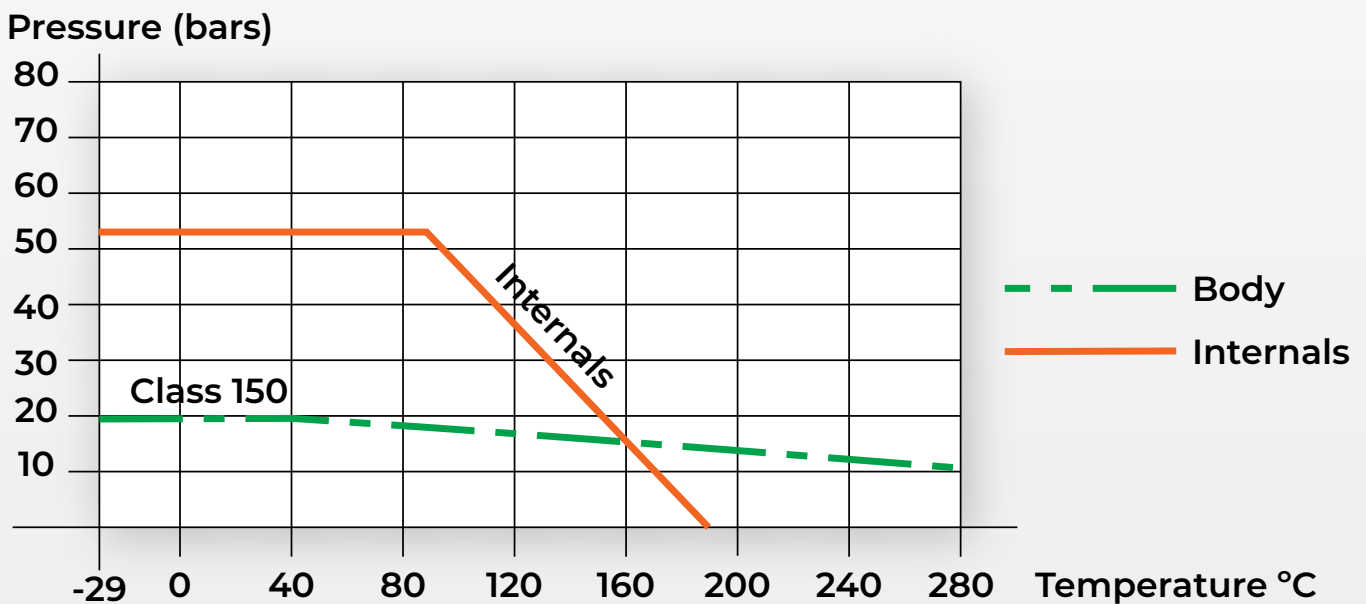
PEKOS STAINLESS STEEL REDUCED

BORE FLANGED ANSI 150 BALL VALVE

**CHART 1: PRESSURE/TEMPERATURE
SIZES: 1/2" AND 3/4"**



**CHART 2: PRESSURE/TEMPERATURE
SIZES: 1" TO 8"**



PEKOS STAINLESS STEEL REDUCED
BORE FLANGED ANSI 150 BALL VALVE
TABLE 4: APPROVALS

Approval
Fire Safe
TA-LUFT
ATEX 94-9EC
API 6D
PED 97/23/CE
SIL 3 Capable
EN 161/EN 264

TABLE 5 : STANDARDS

Standard
Top Flange: ISO 5211
Flanges: ANSI B16.5
Face to Face: ANSI B16.10
Testing: API 598, API 6D, BS 6755-1
Design: API 6D, B16.34
Materials according to NACE MR0175

TABLE 6: PART NUMBERS

Size	DN	SKU
1/2"	DN15	BV5717-100388
3/4"	DN20	BV5717-100389
1"	DN25	BV5717-100390
1-1/2"	DN40	BV5717-100391
2"	DN50	BV5717-100392
3"	DN80	BV5717-100393
4"	DN100	BV5717-100394
6"	DN150	BV5717-100395
8"	DN200	BV5717-100396