

## PEKOS STAINLESS STEEL FULL-BORE

## FLANGED ANSI 300 BALL VALVE

## Key features:

- 2-piece stainless steel body
- Full-bore
- Lever operated (gearbox version available on request)
- Flanged ANSI 300 connections
- Sizes available: 1/2" to 4" (larger sizes available on request)
- Pressure Rated: Class 300
- Temperature rated: -29°C to 180°C (increased range on request)
- ATEX approved



## DETAILS

The Pekos Fig Z 36 RRRGV ANSI 300 stainless steel full-bore ball valve is an ATEX certified ball valve suitable for a wide range of industries.

Manufactured in accordance with many standards including: API 598, API 6D, BS 6755-1, API 6D, B16.34, ANSI B16.5, ANSI B16.10, ISO 5211 and NACE MR0175.

The valve carries a wide range of approvals including: Fire Safe, TA-Luft, ATEX 94-9EC, API 6D, PED 97/23/CE, SIL 3 Capable and EN161/EN264.

3.1 Material Certification included as standard.

The valve is a split body design and easily maintained, and full spares kits are available.

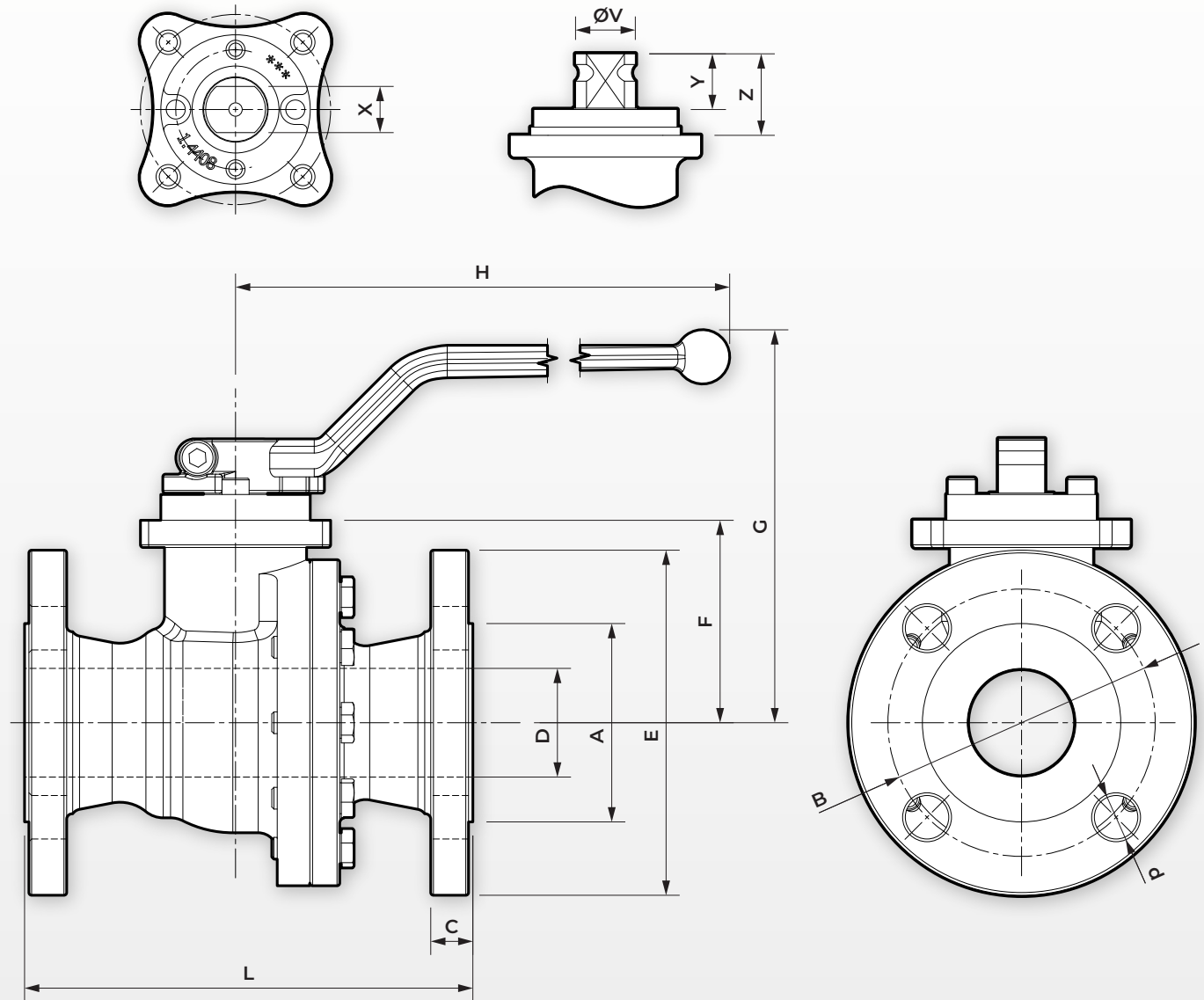
As standard we offer this Pekos ball valve with PTFE seats, however, a wide range of alternative seats materials are available for different applications (cryogenic, elevated temperature duties etc).

If alternative seats/seals are required, please get in touch.

Call 01822 855600 to discuss your project or application further with a member of our technical team or contact us via our online form.

## PEKOS STAINLESS STEEL FULL-BORE

## FLANGED ANSI 300 BALL VALVE



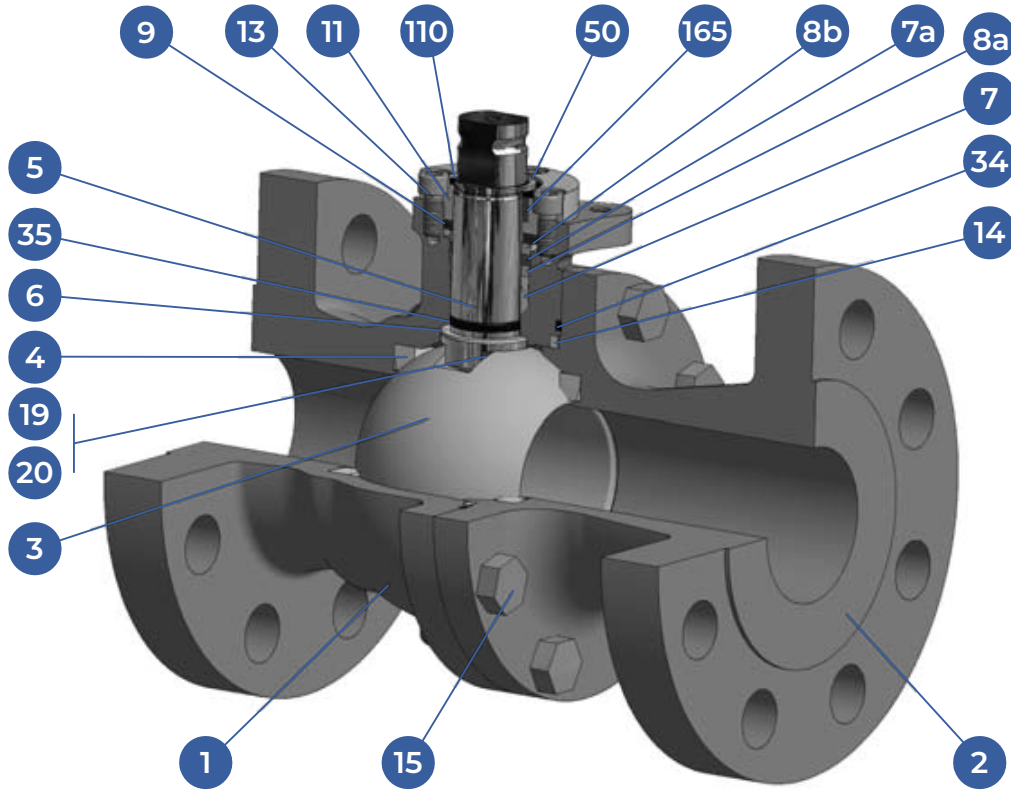
### TABLE 1: DIMENSIONS IN MM & TECHNICAL INFORMATION

DN	CL	D	L	E	A	B	C	F	H	G	V	X	Y	Z	n x d	ISO 5211	Torque	MAST	Weight
1/2"	300	15	140	95	35	67	14	45	185	106	14	11	11	13.5	4 x 16	F05	17 Nm	42.4 Nm	3.1 kg
3/4"	300	20	152	115	43	83	16	47	185	108	14	11	11	13.5	4 x 19	F05	20 Nm	42.4 Nm	4.5 kg
1"	300	25	165	125	51	89	18	52	185	113	18	14	17	19.5	4 x 19	F05	23 Nm	92.2 Nm	5.7 kg
1-1/2"	300	40	190	155	73	114	22	75	293	145	22	17	20	30.0	4 x 22	F07	51 Nm	244.2 Nm	10.1 kg
2"	300	50	216	165	92	127	24	83	293	153	22	17	20	30.0	8 x 19	F07	84 Nm	244.2 Nm	12.8 kg
2-1/2"	300	65	241	190	105	149	26	96	293	166	22	17	20	30.0	8 x 22	F07	108 Nm	244.2 Nm	19.0 kg
3"	300	80	282	210	127	168	30	113	350	199	28	22	22	40.0	8 x 22	F10	180 Nm	509.7 Nm	27.0 kg
4"	300	100	305	255	157	200	33	128	350	221	28	22	22	40.0	8 x 22	F10	260 Nm	509.7 Nm	44.0 kg

Other sizes are available on request.

## PEKOS STAINLESS STEEL FULL-BORE

## FLANGED ANSI 300 BALL VALVE



**TABLE 2: MATERIALS**

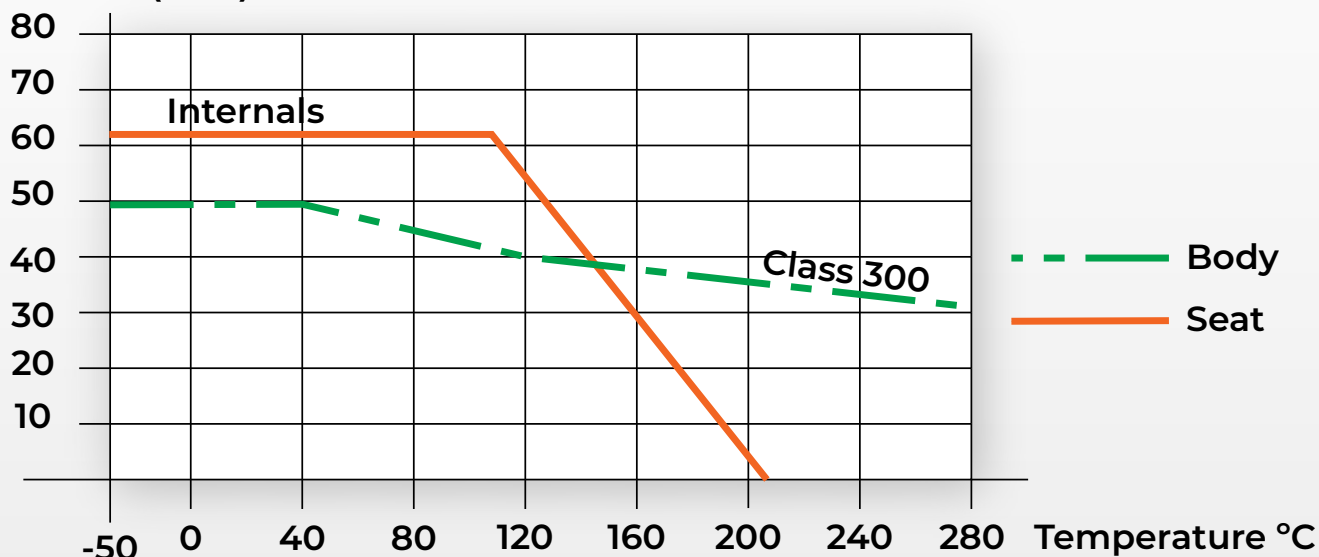
Part	Description	Material
01	Body 1	S.S. A351 CF8M
02	Body 2	S.S. A351 CF8M
03	Ball	S.S. A351 CF8M
04	Seat	PTFE+FG
05	Stem	S.S. AISI 316
06	Stem seal	PTFE+FG
07	Stem packing 1	PTFE+FG
07a	Stem packing 2	Graphite
08	Gland packing	S.S. AISI 316
08a	Gland packing 1	S.S. AISI 316
09	Spring washer	S.S. AISI 301
11	Cover	S.S. A351 CF8M
13	Cover bolt	S.S. (316)
14	Body seal 1	PTFE+FG
15	Body bolt	A193 B8M
16	Handle	WCB
17	Handle bolt	1.045(8.8)
19	Spring	S.S. AISI 316
20	Antistatic ball	S.S. AISI 316
34	Body seal 2	Graphite
35	O-ring stem	FKM
50	Subjection ring	S.S. AISI 420
110	Subjection ring seal	S.S. AISI 316 Nitrided
165	Stem bearing	PTFE+FG

## PEKOS STAINLESS STEEL FULL-BORE

## FLANGED ANSI 300 BALL VALVE

### CHART 1: PRESSURE/TEMPERATURE

Pressure (bars)



#### TABLE 3: APPROVALS

Approval
Fire Safe
TA-LUFT
ATEX 94-9EC
API 6D
PED 97/23/CE
SIL 3 Capable
EN 161/EN 264

#### TABLE 4: STANDARDS

Standard
Top flange: ISO 5211
Flanges: ANSI B16.5
Face-to-face: ANSI B16.10
Testing: API 598, API 6D, BS 6755-1
Design: API 6D, B16.34
Materials according to NACE MR0175

#### TABLE 5: PART NUMBERS

Size	DN	SKU
1/2"	DN15	BV5719-100442
3/4"	DN20	BV5719-100443
1"	DN25	BV5719-100444
1-1/2"	DN40	BV5719-100445
2"	DN50	BV5719-100446
2-1/2"	DN65	BV5719-100447
3"	DN80	BV5719-100448
4"	DN100	BV5719-100449