

PEKOS CARBON STEEL FULL-BORE

FLANGED PN16 BALL VALVE

Key features:

- 2-piece carbon steel body
- Full-bore
- Lever operated (gearbox version available on request)
- Flanged PN16 connections
- Sizes available: 1/2" to 6" (larger sizes available on request)
- Pressure rated: PN16
- Temperature rated: -29°C to 180°C (increased range on request)
- ATEX approved



DETAILS

The Pekos Fig Z 04 TTTG PN16 carbon steel full-bore ball valve is an ATEX certified ball valve suitable for a wide range of industries.

Manufactured in accordance with many standards including: ISO 5211, EN 1092-01, EN 558, EN-12266, ISO 5208, EN-12516, ISO 17292.

The valve carries a wide range of approvals including: Fire Safe, TÜV.AD-MERKBLATT WO, TA-LUFT, ATEX 94-9EC, PED 97/23/CE, SIL 3 Capable, EN 161/EN ISO 23553-1.

3.1 Material Certification included as standard.

The valve is a split body design and easily maintained, full spares kits are available.

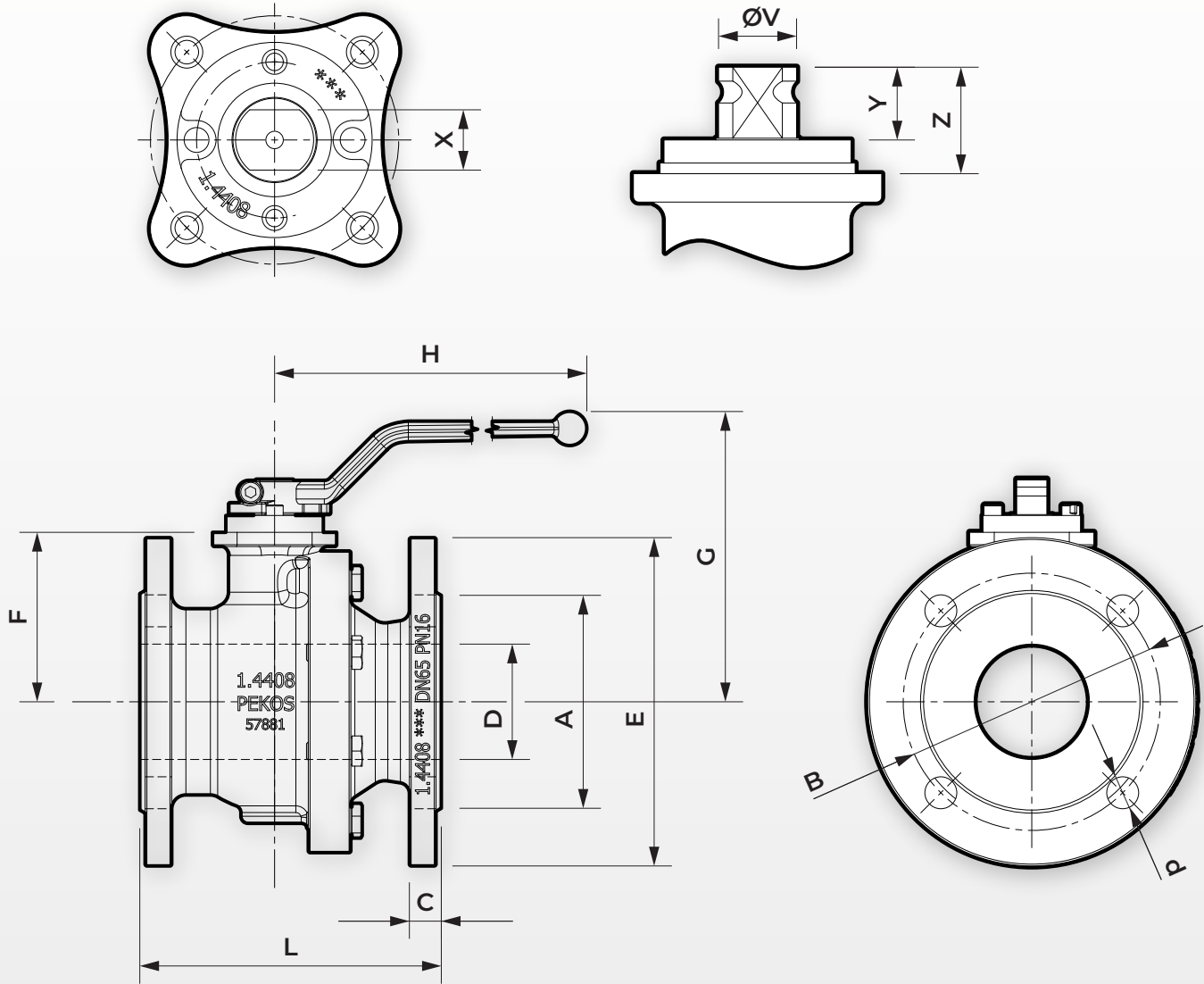
As standard we offer this Pekos ball valve with PTFE seats, however, a wide range of alternative seats materials are available for different applications (cryogenic, elevated temperature duties etc).

If alternative seats/seals are required, please get in touch.

Call 01822 855600 to discuss your project or application further with a member of our technical team or contact us via our online form.

PEKOS CARBON STEEL FULL-BORE

FLANGED PN16 BALL VALVE



DIMENSIONS IN MM & TECHNICAL INFORMATION

DN	PN	D	L	E	A	B	C	F	H	G	V	X	Y	Z	n x d	ISO 5211	Torque	MAST	Weight
15	16	15	115	95	45	65	16	51	185	105	14	11	11	13.5	4 x 14	F05	8 Nm	43.5 Nm	3.0 kg
20	16	20	120	105	58	75	18	53	185	107	14	11	11	13.5	4 x 14	F05	10 Nm	43.5 Nm	3.8 kg
25	16	25	125	115	68	85	18	59	185	113	18	14	17	19.5	4 x 14	F05	14 Nm	94.5 Nm	4.7 kg
32	16	32	130	140	78	100	18	64	185	118	18	14	17	19.5	4 x 18	F05	23 Nm	94.5 Nm	6.5 kg
40	16	40	140	150	88	110	18	75	293	145	22	17	20	30.0	4 x 18	F07	31 Nm	250.4 Nm	8.2 kg
50	16	50	150	165	102	125	20	83	293	153	22	17	20	30.0	4 x 18	F07	46 Nm	250.4 Nm	11.2 kg
65	16	65	170	185	122	145	18	96	293	166	22	17	20	30.0	8 x 18	F07	55 Nm	250.4 Nm	16.9 kg
80	16	80	180	200	138	160	20	114	350	205	28	22	22	40.0	8 x 18	F10	85 Nm	522.5 Nm	22.2 kg
100	16	100	190	220	158	180	20	128	350	220	28	22	22	40.0	8 x 18	F10	110 Nm	522.5 Nm	30.0 kg
125	16	125	325	250	188	210	22	158	740	267	36	27	35	50.0	8 x 18	F12	240 Nm	1073.4 Nm	56.0 kg
150	16	150	350	285	212	240	22	175	740	284	36	27	35	50.0	8 x 22	F12	380 Nm	1073.4 Nm	75.0 kg
200	16	200	400	340	268	295	24	245	750	362	48	36	40	63.0	12 x 22	F14	540 Nm	2544.3 Nm	134.0 kg

Other sizes are available on request.

PEKOS CARBON STEEL FULL-BORE

FLANGED PN16 BALL VALVE

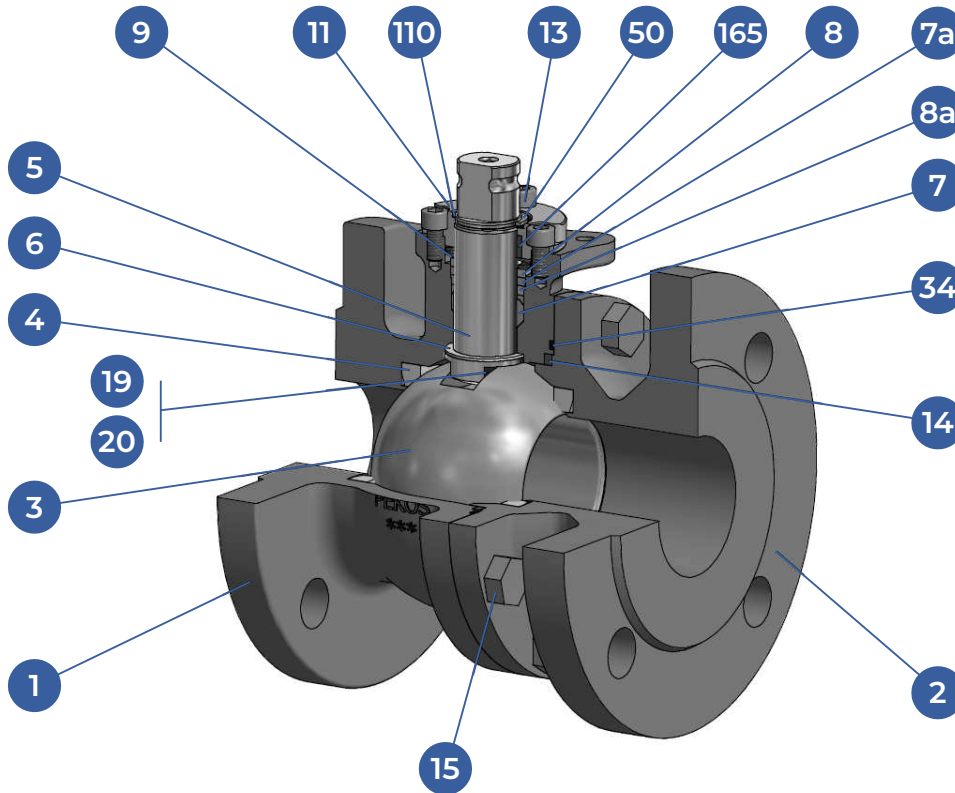


TABLE 2: MATERIALS

Part	Description	Material
01	Body 1	C.S. 1.0619
02	Body 2	C.S. 1.0619
03	Ball	S.S. 1.4408
04	Seat	PTFE
05	Stem	S.S. 1.4401
06	Stem seal	PTFE+FG
07	Stem packing 1	PTFE
07a	Stem packing 2	Graphite
08	Gland packing 1	S.S. 1.4401
08a	Gland packing 2	S.S. 1.4401
09	Spring washer	S.S. 1.4310
11	Cover	S.S. 1.4408
13	Cover bolt	A4-70
14	Body seal 1	PTFE
15	Body bolt	A2-70
16	Handle	WCB
17	Handle bolt	1.045(8.8)
19	Spring	S.S. 1.4401
20	Antistatic ball	S.S. 1.4401
34	Body seal 2	Graphite
50	Subjection ring	S.S. 1.4021
110	Subjection ring seal	S.S. 1.4401 Nitrided
165	Stem bearing	PTFE+FG

PEKOS CARBON STEEL FULL-BORE

FLANGED PN16 BALL VALVE

CHART 1: PRESSURE/TEMPERATURE

Pressure (bars)

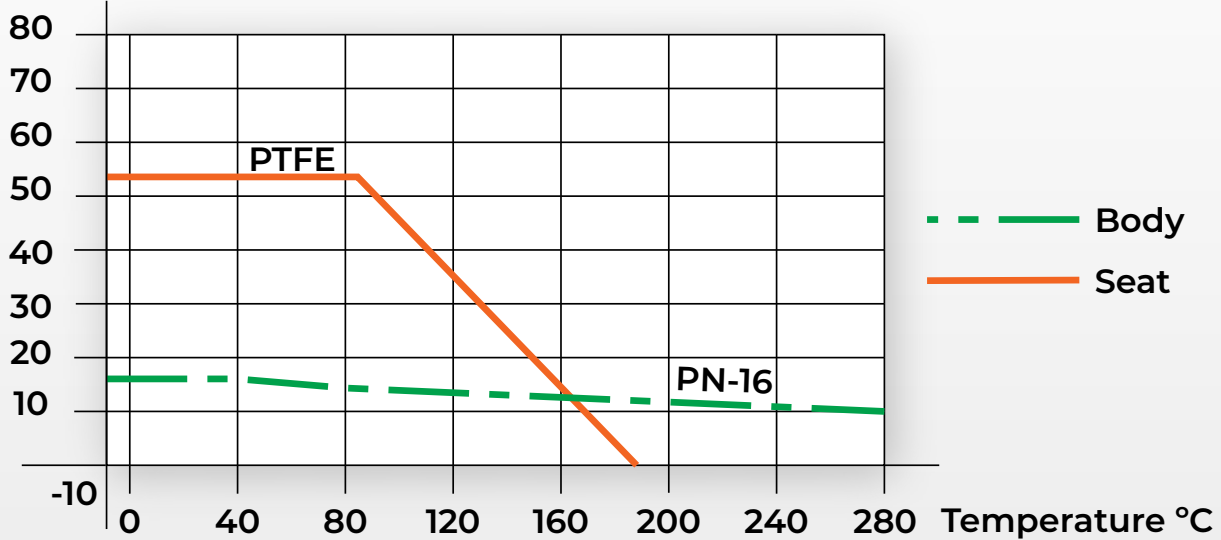


TABLE 3: APPROVALS

Approval
Fire Safe
TÜV.AD-MERKBLATT WO
TA-LUFT
ATEX 94-9EC
PED 97/23/CE
SIL 3 Capable
EN 161/EN ISO 23553-1

TABLE 4: STANDARDS

Standard
Top flange: ISO 5211
Flanges: EN 1092-01
Face-to-face: EN 558
Testing: EN-12266, ISO 5208
Design: EN-12516, ISO 17292

TABLE 5: PART NUMBERS

Size	DN	SKU
1/2"	DN15	BV5721-100477
3/4"	DN20	BV5721-100478
1"	DN25	BV5721-100479
1-1/4"	DN32	BV5721-100480
1-1/2"	DN40	BV5721-100481
2"	DN50	BV5721-100482
2-1/2"	DN65	BV5721-100483
3"	DN80	BV5721-100484
4"	DN100	BV5721-100485
5"	DN125	BV5721-100486
6"	DN150	BV5721-100487