

## PEKOS STAINLESS STEEL

## FLANGED PN40 BALL VALVE

## Key features:

- 2-piece stainless steel body
- Full-bore
- Lever operated (gearbox version available on request)
- Flanged PN40 connections
- Sizes available: ½" to 5" (larger sizes available on request)
- Pressure rated: PN40
- Temperature rated: -29°C to 180°C (increased range on request)
- ATEX approved



## DETAILS

The Pekos Fig Z 06 TTTG PN40 stainless steel full-bore ball valve is an ATEX certified ball valve suitable for a wide range of industries.

Manufactured in accordance with many standards including: ISO 5211, EN 1092-01, EN 558, EN-12266, ISO 5208, EN-12516, ISO 17292.

The valve carries a wide range of approvals including: Fire Safe, TÜV.AD-MERKBLATT WO, TA-LUFT, ATEX 94-9EC, PED 97/23/CE, SIL 3 Capable, EN 161/EN ISO 23553-1.

3.1 Material Certification included as standard.

The valve is a split body and easily maintained, full spares kits are available.

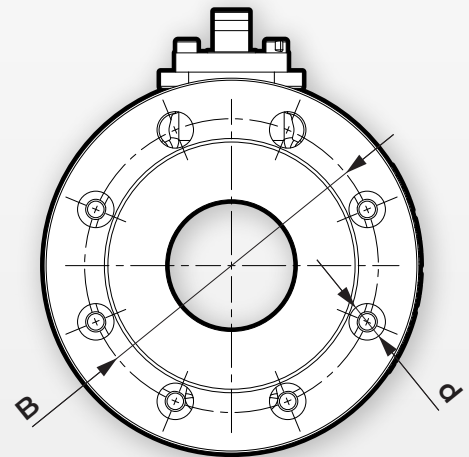
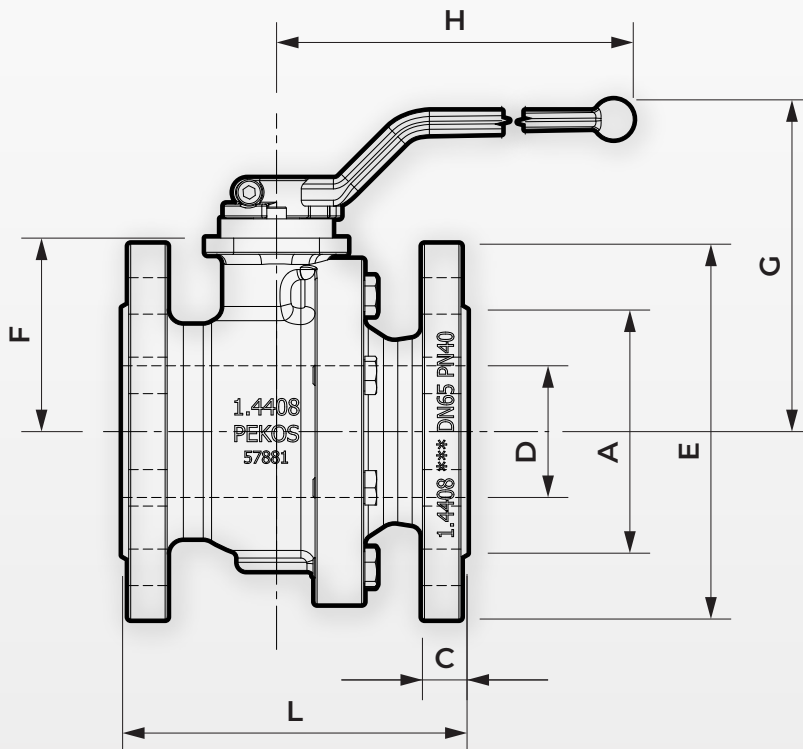
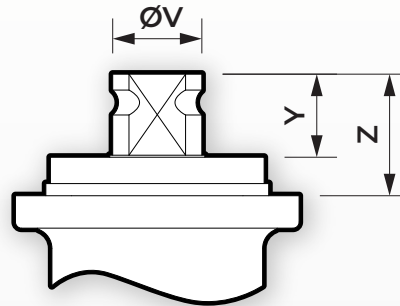
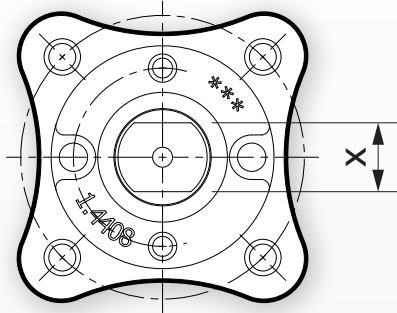
As standard we offer this Pekos ball valve with PTFE seats, however, a wide range of alternative seats materials are available for different applications (cryogenic, elevated temperature duties etc).

If alternative seats/seals are required, please get in touch.

Call 01822 855600 to discuss your project or application further with a member of our technical team or contact us via our online form.

## PEKOS STAINLESS STEEL

## FLANGED PN40 BALL VALVE



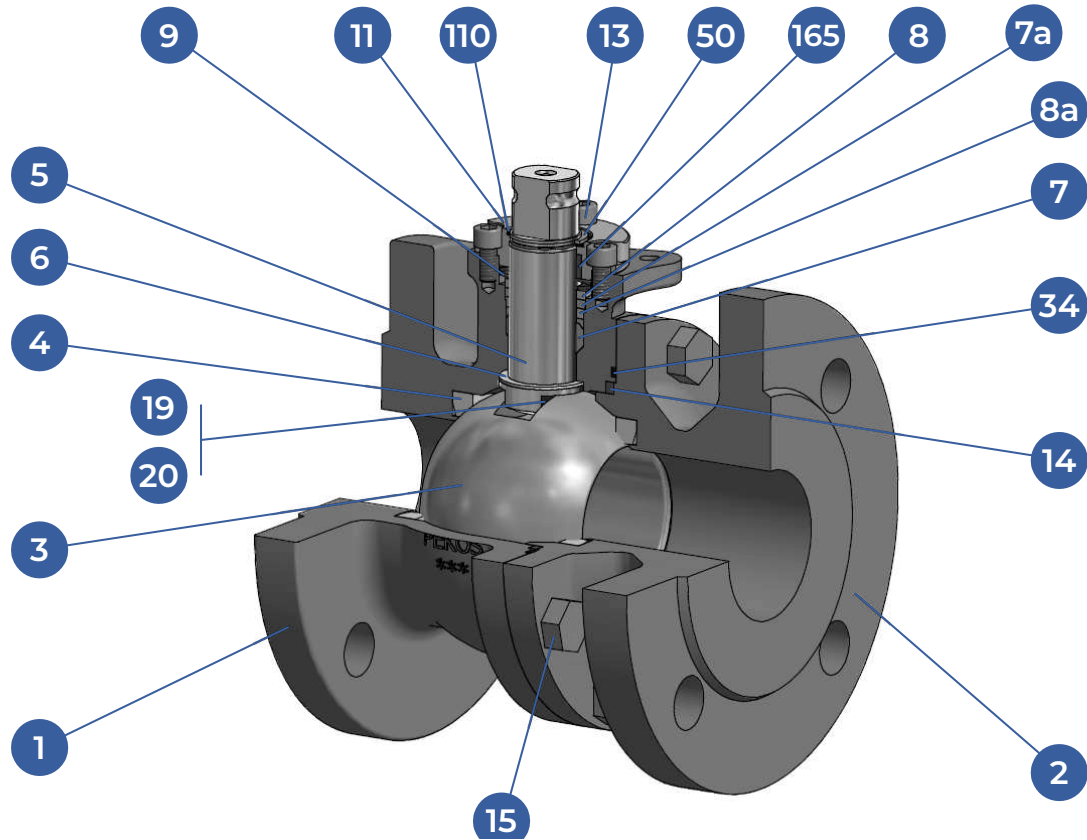
### TABLE 1: DIMENSIONS IN MM & TECHNICAL INFORMATION

DN	PN	D	L	E	A	B	C	F	H	G	V	X	Y	Z	n x d	ISO 5211	Torque	MAST	Weight
15	40	15	115	95	45	65	16	52	185	100	14	11	11	13.5	4 x 14	F05	12 Nm	43.5 Nm	3.0 kg
20	40	20	120	105	58	75	18	54	185	102	14	11	11	13.5	4 x 14	F05	14 Nm	43.5 Nm	3.8 kg
25	40	25	125	115	68	85	18	60	185	110	18	14	17	19.5	4 x 14	F05	17 Nm	94.5 Nm	4.7 kg
32	40	32	130	140	78	100	18	65	185	115	18	14	17	19.5	4 x 18	F05	30 Nm	94.5 Nm	6.5 kg
40	40	40	140	150	88	110	18	75	293	129	22	17	20	30.0	4 x 18	F07	40 Nm	250.4 Nm	8.2 kg
50	40	50	150	165	102	125	20	83	293	137	22	17	20	30.0	4 x 18	F07	65 Nm	250.4 Nm	11.2 kg
65	40	65	170	185	122	145	22	96	293	150	22	17	20	30.0	8 x 18	F07	85 Nm	250.4 Nm	16.9 kg
80	40	80	180	200	138	160	24	114	350	187	28	22	22	40.0	8 x 18	F10	130 Nm	522.5 Nm	22.2 kg
100	40	100	190	235	162	190	24	128	350	201	28	22	22	40.0	8 x 22	F10	190 Nm	522.5 Nm	30.0 kg
125	40	125	325	270	188	220	26	158	740	247	36	27	35	50.0	8 x 26	F12	350 Nm	1073.4 Nm	62.0 kg

Other sizes are available on request.

## PEKOS STAINLESS STEEL

## FLANGED PN40 BALL VALVE



**TABLE 2: MATERIALS**

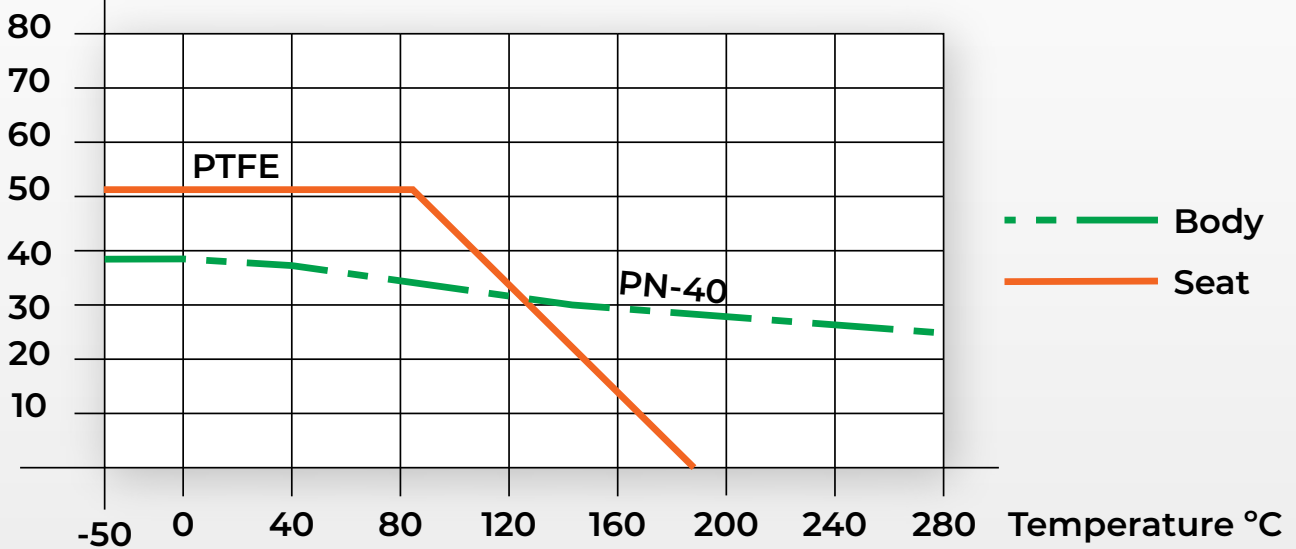
Part	Description	Material
01	Body 1	S.S. 1.4408
02	Body 2	S.S. 1.4408
03	Ball	S.S. 1.4408
04	Seat	PTFE
05	Stem	S.S. 1.4401
06	Stem seal	PTFE+FG
07	Stem packing 1	PTFE
07a	Stem packing 2	Graphite
08	Gland packing 1	S.S. 1.4401
08a	Gland packing 2	S.S. 1.4401
09	Spring washer	S.S. 1.4310
11	Cover	S.S. 1.4408
13	Cover bolt	A4-70
14	Body seal 1	PTFE
15	Body bolt	A4-70
16	Handle	WCB
17	Handle bolt	1.045(8.8)
19	Spring	S.S. 1.4401
20	Ball	S.S. 1.4401
34	Body seal 2	Graphite
50	Subjection ring	S.S. 1.4021
110	Subjection ring seal	S.S. 1.4401 Nitrided
165	Stem bearing	PTFE+FG

## PEKOS STAINLESS STEEL

## FLANGED PN40 BALL VALVE

### CHART 1: PRESSURE/TEMPERATURE

Pressure (bars)



#### TABLE 3: APPROVALS

Approval
Fire Safe
TÜV.AD-MERKBLATT WO
TA-LUFT
ATEX 94-9EC
PED 97/23/CE
SIL 3 Capable
EN 161/EN ISO 23553-1

#### TABLE 4 : STANDARDS

Standard
Top Flange: ISO 5211
Flanges: EN 1092-01
Face to Face: EN 558
Testing: EN-12266, ISO 5208
Design: EN-12516, ISO 17292

#### TABLE 5: PART NUMBERS

Size	DN	SKU
1/2"	DN15	BV5724-100539
3/4"	DN20	BV5724-100540
1"	DN25	BV5724-100541
1-1/4"	DN32	BV5724-100542
1-1/2"	DN40	BV5724-100543
2"	DN50	BV5724-100544
2-1/2"	DN65	BV5724-100545
3"	DN80	BV5724-100546
4"	DN100	BV5724-100547
5"	DN125	BV5724-100548