

PEKOS STAINLESS STEEL REDUCED

BORE FLANGED ANSI 300 BALL VALVE

Key features:

- 1-piece carbon steel body
- Reduced bore
- Lever operated (gearbox version available on request)
- Flanged ANSI 300 connections
- Sizes available: 3/4" to 6" (larger sizes available on request)
- Pressure rated: Class 300
- Temperature rated: -29°C to 180°C (increased range on request)
- ATEX approved



DETAILS

This Pekos Fig ZRB 34 SSGVV ANSI 300 carbon steel reduced bore ball valve is an ATEX certified ball valve suitable for a wide range of industries.

Manufactured in accordance with many standards including: API 598, API 6D, BS 6755-1, API 6D, B16.34, ANSI B16.5, ANSI B16.10, ISO 5211 and NACE MR0175.

The valve carries a wide range of approvals including: Fire Safe, TA-Luft, ATEX 94-9EC, API 6D, PED 97/23/CE, SIL 3 Capable and EN161/EN264.

3.1 Material Certification included as standard.

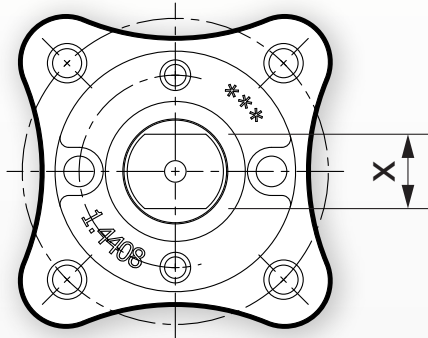
As standard we offer this Pekos ball valve with PTFE seats, however, a wide range of alternative seats materials are available for different applications (cryogenic, elevated temperature duties etc).

If alternative seats/seals are required, please get in touch.

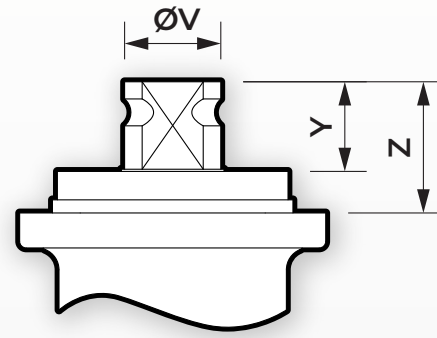
Call 01822 855600 to discuss your project or application further with a member of our technical team or contact us via our online form.

PEKOS STAINLESS STEEL REDUCED

BORE FLANGED ANSI 300 BALL VALVE



TOP PLATE DETAIL



STEM DETAIL

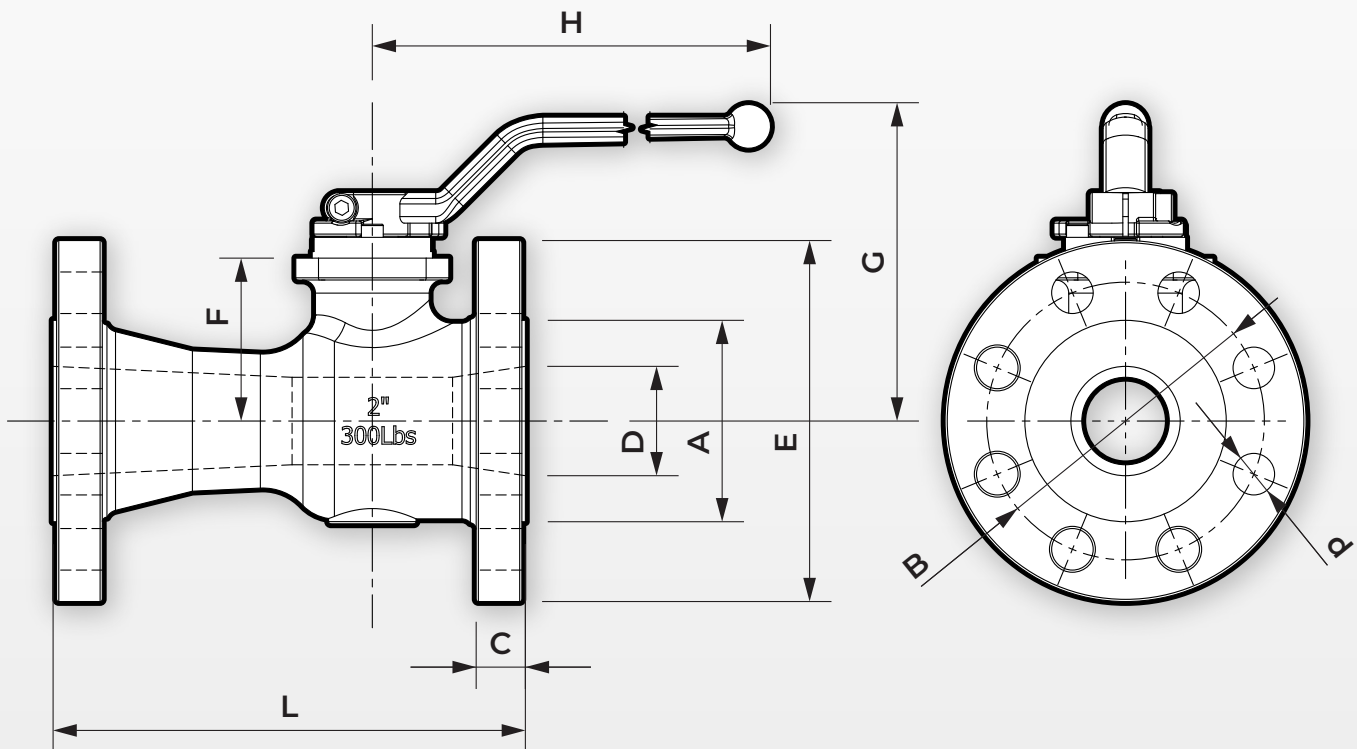


TABLE 1: DIMENSIONS IN MM & TECHNICAL INFORMATION

DN	CL	D	L	E	A	B	C	F	H	G	V	X	Y	Z	n x d	ISO 5211	Torque	MAST	Weight
3/4"	300	15	152	118	43	82.5	16	46	185	94	12	8	12	15.0	4 x 19	F05	14.0 Nm	35.7 Nm	3.8 kg
1"	300	20	165	125	51	89.0	18	47	185	110	14	11	11	13.5	4 x 19	F05	19.0 Nm	42.4 Nm	4.8 kg
1-1/2"	300	32	190	155	73	114.0	22	57	185	120	18	14	17	19.5	4 x 22	F05	22.0 Nm	92.2 Nm	8.2 kg
2"	300	40	216	165	92	127.0	23	75	293	147	22	17	20	30.0	8 x 19	F07	49.0 Nm	244.3 Nm	11.5 kg
3"	300	65	282	210	127	168.0	29	96	293	168	22	17	20	30.0	8 x 22	F07	105.0 Nm	244.3 Nm	22.5 kg
4"	300	80	305	255	157	200.0	32	114	350	204	28	22	22	40.0	8 x 22	F10	176.0 Nm	509.7 Nm	37.5 kg
6"	300	111	403	320	216	270.0	37	149	740	261	36	27	35	50.0	12 x 22	F12	310.0 Nm	1047.2 Nm	72.4 kg

Other sizes are available on request.

PEKOS STAINLESS STEEL REDUCED

BORE FLANGED ANSI 300 BALL VALVE

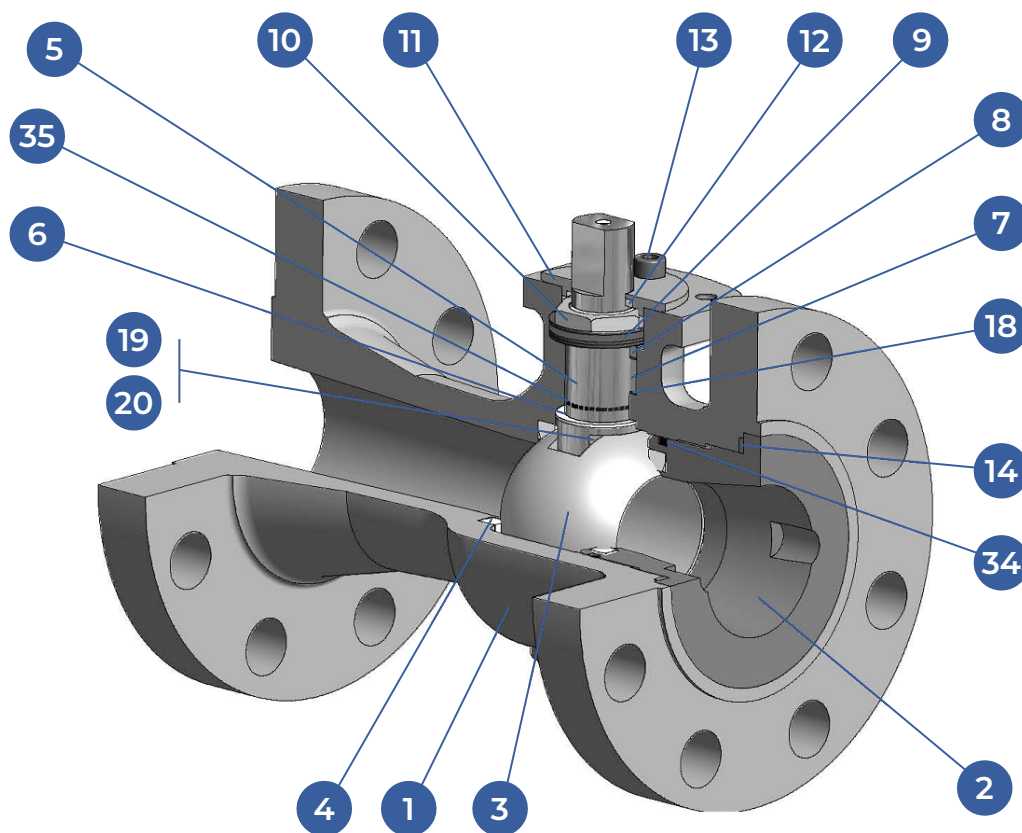


TABLE 2: MATERIALS

SIZE: 3/4"

Part	Description	Material
1	Body 1	C.S. A216 WCC
2	Body 2	C.S. A-105
3	Ball	S.S. A351 CF8M
4	Seat	PTFE+CG
5	Stem	S.S. AISI 316
6	Stem seal	PTFE+CG
7	Stem packing 1	Graphite
8	Gland packing	S.S. AISI 316
9	Spring washer	S.S. AISI 301
10	Stem nut	S.S. AISI 303
11	Cover	S.S. A351 CF8M
12	Cover ring	PTFE
13	Cover bolt	A4-70
14	Body seal 1	Graphite
16	Handle	WCB
17	Handle bolt	1.045(8.8)
18	Thrust washer	PTFE+CG
19	Spring	S.S. AISI 316
20	Antistatic ball	S.S. AISI 316
34	Body seal 2	Viton
35	O-ring stem	Viton

PEKOS STAINLESS STEEL REDUCED

BORE FLANGED ANSI 300 BALL VALVE

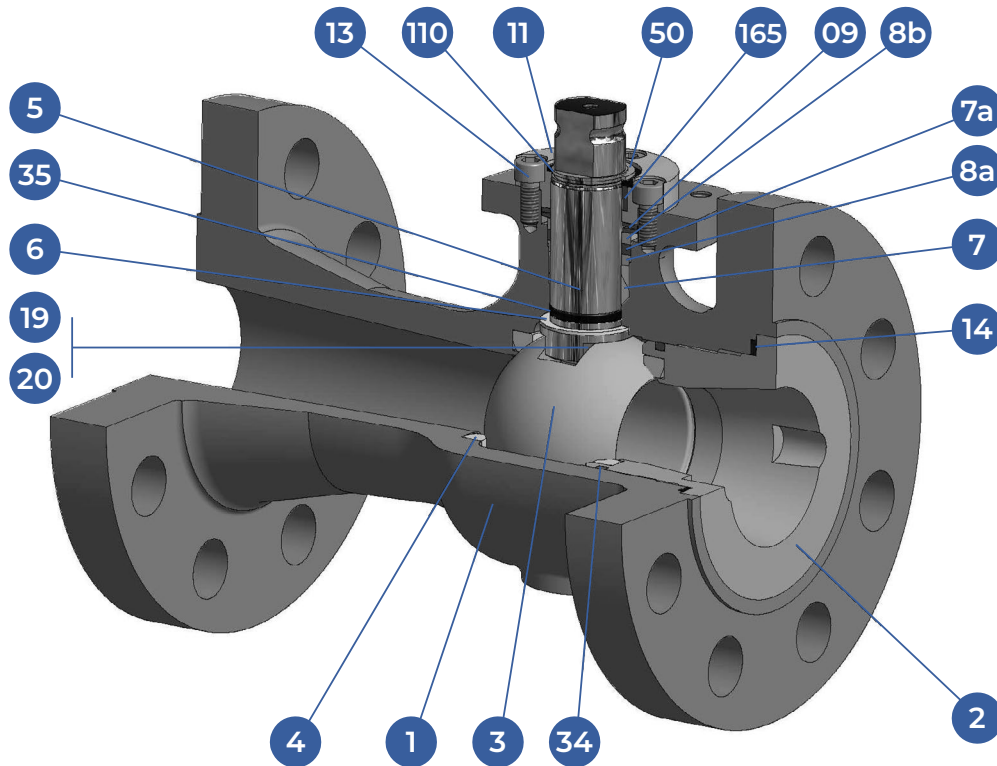


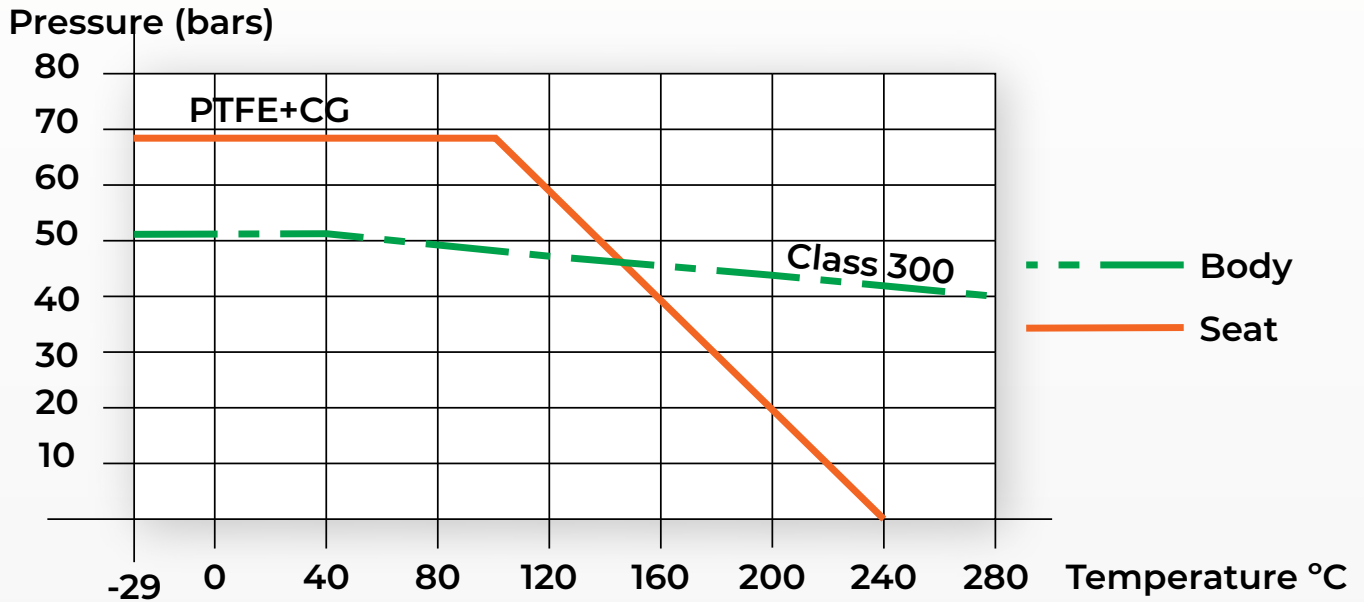
TABLE 3: MATERIALS
SIZES: 1" TO 6"

Part	Description	Material
1	Body 1	C.S. A216 WCC
2	Body 2	C.S. A-105
3	Ball	S.S. A351 CF8M
4	Seat	PTFE+CG
5	Stem	S.S. AISI 316
6	Stem seal	PTFE+CG
7	Stem packing 1	PTFE+CG
7a	Stem packing 2	Graphite
8a	Gland packing	S.S. AISI 316
8b	Gland packing 1	S.S. AISI 316
9	Spring washer	S.S. AISI 301
11	Cover	S.S. A351 CF8M
13	Cover bolt	S.S. (316)
14	Body seal 1	Graphite
16	Handle	WCB
17	Handle bolt	1.045(8.8)
19	Spring	S.S. AISI 316
20	Antistatic ball	S.S. AISI 316
34	Body seal 2	FKM
35	O-ring stem	FKM
50	Subjection ring	S.S. AISI 420
110	Subjection ring seal	S.S. AISI 316 Nitrided
165	Stem bearing	PTFE+FG

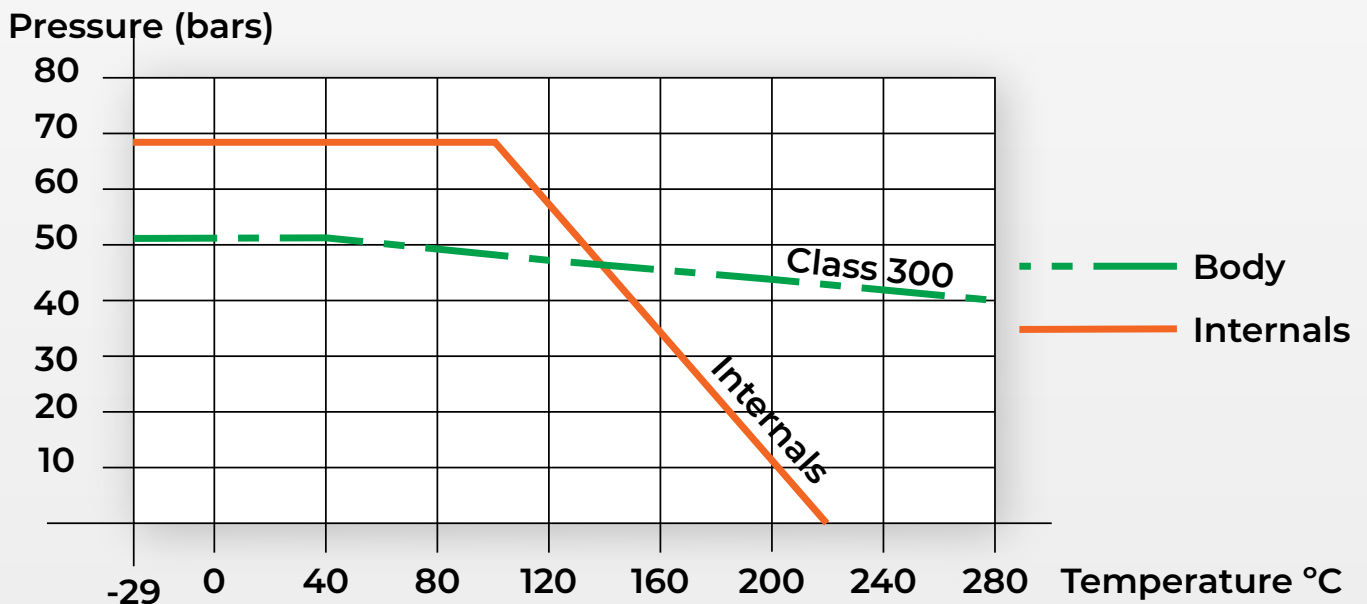
PEKOS STAINLESS STEEL REDUCED

BORE FLANGED ANSI 300 BALL VALVE

**CHART 1: PRESSURE/TEMPERATURE
SIZE: 3/4"**



**CHART 2: PRESSURE/TEMPERATURE
SIZES: 1" TO 6"**



PEKOS STAINLESS STEEL REDUCED
BORE FLANGED ANSI 300 BALL VALVE
TABLE 4: APPROVALS

Approval
CERTIFICATE FIRE SAFE
TA-LUFT
ATEX 94-9EC
API 6D.
PED 97/23/CE.
SIL 3 CAPABLE

TABLE 5: STANDARDS

Standard
Top flange ISO 5211
Flanges ANSI B16.5
Face-to-face ANSI B16.10
Design AP 6D, B16.34
Testing API 598, API 6D, BS 6755-1
Materials according to NACE MR0175

TABLE 6: PART NUMBERS

Size	DN	SKU
3/4"	DN20	BV5725-100425
1"	DN25	BV5725-100426
1-1/2"	DN40	BV5725-100427
2"	DN50	BV5725-100428
3"	DN80	BV5725-100429
4"	DN100	BV5725-100430
6"	DN150	BV5725-100431