





SKU: BV5139

-  VOLT Cast Iron PN16 3 Way T Port Diverter Valve
-  VOLT Cast Iron PN16 3 Weisen-T -Port Umstellventil
-  VOLT Reparto de la válvula de desvío Hierro PN16 3 Way T Puerto
-  VOLT Fonte PN16 3 Way T Port Inverseur

Valves[™]
O N L I N E

- 2" - 6" Flanged PN16 3 Way T Port Diverter Valve
- 2" - 6" Mit Flansch PN16 3 Weisen-T -Port Umstellventil
- 2" - 6" Con bridas PN16 3 Way T Puerto válvula de desvío
- 2" - 6" Brides PN16 3 Way T Port Inverseur

Cast Iron 3 Way Diverter T Port Ball Valve Flanged PN16



- T Pattern
- PN16
- -10° C to 100° C
- Lever Operated
- Brass Ball and Stem
- RPTFE Seats NBR O-Rings

Description

A Cast Iron 3 Way T Port Diverter Flanged PN16 Ball Valve, with RPTFE Seats, NBR O-Rings with Brass Ball and Stem. Steel Lever Operator.
Temperature -10° C to 100° C
PN 16 Pressure Rated.
Body Epoxy Coated.



Description

A flanged 3 way ball valve cast bypass with ball floating brass stem and manufactured in compliance with the standards of the most stringent product and quality management ISO 9001. Seats PTCRs and NBR O-rings. PN16 rated . Handle lever operated manual. This valve provides bubble seal for a wide range of applications, including gas, air and oil water .



Beschreibung

Ein flanged 3 Weise Umsteller Kugelventil aus Gusseisen mit einem schwimmenden Messingkugel & Vorbau gemäß den strengsten Produktnormen und das Qualitätsmanagement ISO 9001 Sitze RPTFE und NBR O -Ringe hergestellt . PN16 Nenn . Handhebel Handgriff betätigt . Dieses Ventil bietet blasendichte off für eine breite Palette von Anwendungen, einschließlich Gas, Luft Wasser und Öl geschlossen.







Descripción

Un flanged 3 manera , válvula de bola desviador hechos de hierro fundido con una bola de latón flotante y tallo fabrica de acuerdo con las normas de productos más severas y la gestión de calidad de la norma ISO 9001. Los asientos RPTFE y NBR O Anillos. PN16 nominal . Palanca manual operado . Esta válvula ofrece burbuja cierre hermético para una amplia gama de aplicaciones, incluyendo Gas , Aire Agua y Aceite.



Description

Un flanged 3 façon, vanne à boisseau sphérique de dérivation en fonte avec une bille en laiton flottante et souches fabriqué en conformité avec les normes de produits les plus sévères et la gestion de la qualité de la norme ISO 9001. Sièges RPTFE et NBR joints toriques . PN16 nominale . Poignée de levier manuel opéré . Cette vanne offre bulle fermeture étanche pour une large gamme d'applications , y compris le gaz , l'eau d'air et d'huile.

-  VOLT Cast Iron PN16 3 Way T Port Diverter Valve
-  VOLT Cast Iron PN16 3 Weisen-T -Port Umstellventil
-  VOLT Reparto de la válvula de desvío Hierro PN16 3 Way T Puerto
-  VOLT Fonte PN16 3 Way T Port Inverseur

Cast Iron T Port Ball Valve Flanged PN16

Three-way, diverter ball valves made of cast iron, with floating ball, manufactured in accordance with the most severe product standards and the quality management of ISO 9001.

They are available in the following versions:

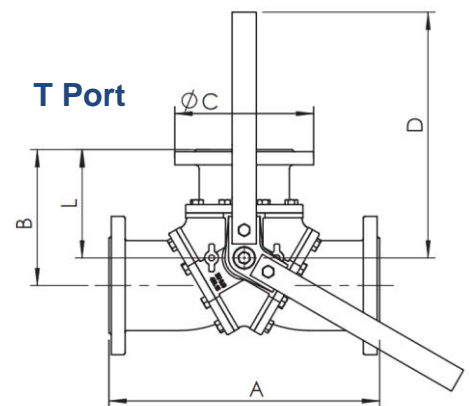
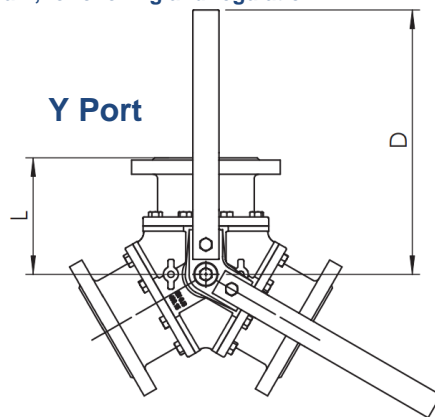
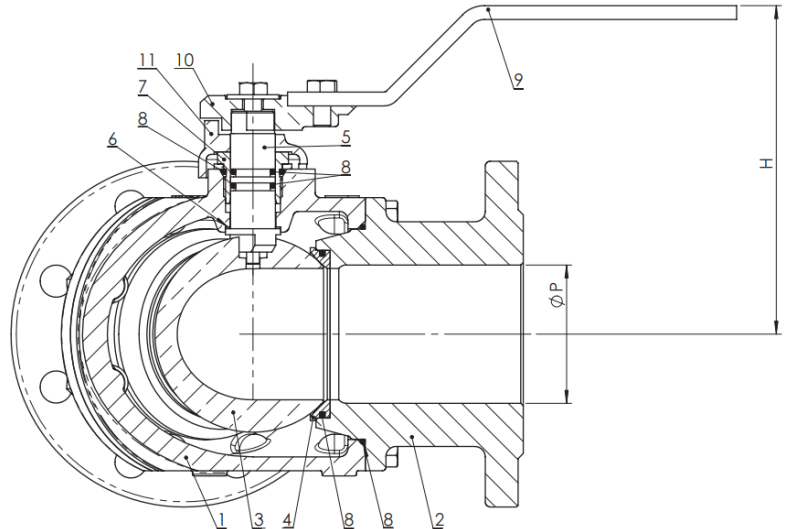
“T-shape flanges (90°)

Y-shape flanges (120°)

Suitable for heating and conditioning (HVAC), district heating, distribution and treatment of water, industrial applications, agricultural applications, for compressed air processing, oils and hydrocarbons.

YES: for installation in line and end of line, for services with frequent actuation, suitable for installing a wide range of actuators.





NO: for steam, for choking and regulation of the flow.



Dimensions

Size	P	A	H	B	C	D	L	Kg	Nm
2"	50	320	167	160	195	260	130	7.1	20
2 1/2"	65	350	173	175	185	350	140	10.5	40
3"	76	390	187	195	200	350	155	12.7	70
4"	95	430	198	215	220	350	165	18.5	100
6"	145	570	261	285	285	475	212	104	250

Dimensions are General and for guidance only

-  VOLT Cast Iron PN16 3 Way T Port Diverter Valve
-  VOLT Cast Iron PN16 3 Weisen-T -Port Umstellventil
-  VOLT Reparto de la válvula de desvío Hierro PN16 3 Way T Puerto
-  VOLT Fonte PN16 3 Way T Port Inverseur

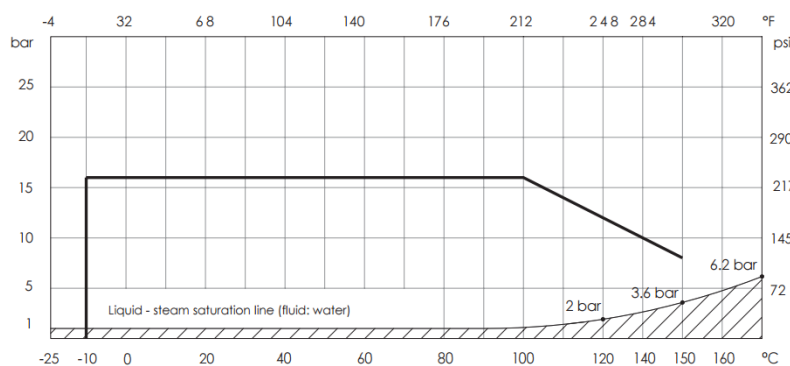
Cast Iron T Port Ball Valve Flanged PN16

1. Inside and outside epoxy coating, high temperature resistant.
Environmentally-friendly, water-based paint.
2. Ball in chrome-plated brass full bore; the smooth, rounded connections between passages at 120° ensure reduced turbulences and low head loss.
3. The double lever at 120° indicates the flow direction.
4. A double O-ring on the stem and the metallic bushing provides a dynamic seal, even in severe working conditions.
5. Blow-out proof stem.
6. Seat of ball in reinforced PTFE, as temperature changes, the operation torque remains constant.
7. The RO-STOP device allows selection of flow direction also on the valve already installed.
8. Non-standard face-to-face dimension.

Material List		
No	Name of Parts	Materials
1	Body	EN GJS 400-15
2	Flange	EN GJS 400-15
3	Ball	Brass CuZn40pb2 chrome plate
4	Ball seat	Reinforced PTFE
5	Stem	Brass CuZn40pb2
6	Sliding Washer	PTFE
7	Ring	Brass CuZn40pb2
8	O-Ring	NBR
9	Lever	Carbon Steel Epoxy Coated
10	Stop Plate	Galvanised Carbon Steel
11	Spring Washer	Galvanised Carbon Steel

Pressure / Temperature Ratings	
Pressure	16 Bar
Temperature	-10°C to +100°C

Pressure/temperature chart



RANGE NOT SUITABLE FOR STEAM. DO NOT use when temperature and pressure are below the liquid-steam saturation line (hatched area)