

SKU: BV4208

-  VOLT Cast Steel Gate Valve – Drilled ANSI 300
-  VOLT Cast Steel Gate Valve – Drilled ANSI 300
-  VOLT Cast Steel Gate Valve – Drilled ANSI 300
-  VOLT Cast Steel Gate Valve – Drilled ANSI 300

Valves[™]
O N L I N E

- 2" - 8" Cast Steel Gate Valve – Drilled ANSI 300
- 2" - 8" Cast Steel Gate Valve – Drilled ANSI 300
- 2" - 8" Cast Steel Gate Valve – Drilled ANSI 300
- 2" - 8" Cast Steel Gate Valve – Drilled ANSI 300



ANSI 300 Cast Steel Gate Valve



Description

Flanged to ANSI 300RF, Design to API600 OS & Y, Bolted Bonnet, A216 Gr WCB, Trim 13% CR + HFS, Rated Class 300, Temperature -29°C to 425°C.



Beschreibung

Mit Flansch nach ANSI 300RF, Design API600 OS & Y, Deckelflansch, A216 Gr WCB, Trim 13% CR + HFS, FSK Class 300, Temperatur -29°C bis 425°C.



Descripción

Con bridas ANSI 300RF, Diseño de API600 OS & Y, atornillado Bonnet, A216 Gr WCB, Recorte del 13% CR + HFS, Calificación Clase 300, Temperatura -29°C a 425°C.



Description

Brides ANSI 300RF, Design à API600 OS & Y, chapeau boulonné, A216 Gr CAT, Coupe 13% CR + HFS, Évalué Class 300, Température -29°C à 425°C.

Description:

Flanged to ANSI 300, Design to API600, OS & Y, Bolted Bonnet, A216 WCB, Trim 13% CR + HFS, Class 300, Temperature -29°C to 425°C, Spec to API.

Technical Requirements:

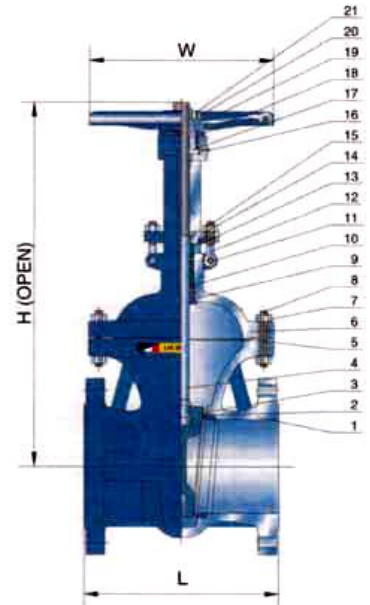
1. Design & manufacture to: API 600/BS EN ISO 10434:2004
2. Press/Temp to ANSI B16.34
3. Face to face to ANSI B16.10
4. Flange Dimensions to ASME B16.5
5. Test & inspection to API 598/ISO 5208
6. NACE MR-01-75 (Latest Revision)
7. Conform to Pressure Equipment Directive 97/23/EC

-  VOLT Cast Steel Gate Valve – Drilled ANSI 300
-  VOLT Cast Steel Gate Valve – Drilled ANSI 300
-  VOLT Cast Steel Gate Valve – Drilled ANSI 300
-  VOLT Cast Steel Gate Valve – Drilled ANSI 300

Cast Steel Gate Valve – ANSI 300

Description:

Flanged to ANSI 300, Design to API600, OS & Y, Bolted Bonnet, A216 WBC, Trim 13% CR + HFS, class 300, Temperature - 29°C to 425°C, Spec to API.



Dimensions				
Size	L	H (Open)	W	Kg
2"	216	430	200	30
2 1/2"	241	505	250	45
3"	283	530	250	50
4"	305	630	250	75
6"	403	800	350	140
8"	419	1010	400	215
10"	457	1240	450	350
12"	502	1470	500	565
14"	762	1645	600	715
16"	838	1841	700	1050
18"	914	1950	700	1235
20"	991	2200	800	1655
24"	1143	2600	600	2320

-  VOLT Cast Steel Gate Valve – Drilled ANSI 300
-  VOLT Cast Steel Gate Valve – Drilled ANSI 300
-  VOLT Cast Steel Gate Valve – Drilled ANSI 300
-  VOLT Cast Steel Gate Valve – Drilled ANSI 300

Cast Steel Gate Valve – ANSI 300

Description:

Flanged to ANSI 300, Design to API600, OS & Y, Bolted Bonnet, A216 WCB, Trim 13% CR + HFS, class 300, Temperature - 29°C to 425°C, Spec to API.

Technical Requirements:

1. Design & manufacture to: API 600/BS EN ISO 10434:2004
2. Press/Temp to ANSI B16.34
3. Face to face to ANSI B16.10
4. Flange Dimensions to ASME B16.5
5. Test & inspection to API 598/ISO 5208
6. NACE MR-01-75 (Latest Revision)
7. Conform to Pressure Equipment Directive 97/23/EC

Material List		
1	Body	ASTM A216 Gr WCB
2	Seat Rings	Stellite Gr 6 Faced
3	Wedge	ASTM A216 Gr WCB + 13 Cr Faced
4	Stem	ASTM A182 F6a
5	Gasket	Stainless Steel + Graphite
6	Bonnet	ASTM A216 Gr WCB
7	Bonnet Bolt Nuts	ASTM A194 Gr 2H(M)
8	Bonnet Bolts	ASTM A 193 Gr B7(M)
9	Backseat Bushing	ASTM A194 Gr 2H(M)
10	Stem Packing	Braided Graphite & Die Formed Graphite Ring
11	Eye Bolt Pins	Carbon Steel
12	Gland Eye Bolt	ASTM A193 Gr B7(M)
13	Gland	ASTM A276 Type 410
14	Gland Flange	ASTM A216 Gr WCB
15	Eye Bolt Nuts	ASTM A194 Gr 2H(M)
16	Grease Nipples	Carbon Steel
17	Stem Nut	ASTM A439 Gr D-2 / ASTM B148 9A
18	Retaining Nut	Carbon Steel
19	Handwheel	Steel
20	Handwheel Nut	Carbon Steel
21	Screw	Carbon Steel
22	Yoke	ASTM A216 Gr WCB
23	Yoke Pan Bolt Nuts	ASTM A194 Gr 2H(M)
24	Yoke Pan Bolts	ASTM A193 Gr B7(M)
25	Bearing	Steel
26	Lantern Ring	ASTM A276 Type 410

