



A manual diaphragm valve in ductile iron GGG40 black epoxy coated and screwed BSPP. Handwheel operated with yellow position indicator. The valve closure is by way of an EPDM elastic-polymer diaphragm. The valve is a weir type design and operates in a linear motion. The valve allows flow bidirectionally and is used for stopping or regulating the flow of fluid. Bolted bonnet and seat less design ensures an inexpensive easy to maintain solution for a large number of applications.

**Diaphragm EPDM
PN16 Rated
Temp: 130°C**

Weir Type Diaphragm Valve Screwed and Unlined.

- Weir Type
- Ductile Iron body
- EPDM diaphragm
- Unlined
- Screwed BSPP
- Sizes 1/2" to 2"



Description

Handwheel operated unlined diaphragm valves, used to shut off or control service fluids, offering an acceptable cost of ownership. EPDM Diaphragm, Ductile Iron body and screwed BSPP. PN16 rated pressure test EN 12266-1



Beschreibung

Unbetätigte Membranventile mit Handradantrieb zum Abschalten oder Steuern von Betriebsflüssigkeiten mit akzeptablen Betriebskosten. EPDM-Membran, Gusskörper und verschraubter BSPP. PN16-Druckprüfung EN 12266-1



Descripción

Válvulas de diafragma sin revestimiento accionadas por volante, utilizadas para cerrar o controlar los líquidos de servicio, ofreciendo un costo de propiedad aceptable. Diafragma de EPDM, cuerpo de hierro dúctil y BSPP atornillado. Prueba de presión nominal PN16 EN 12266-1

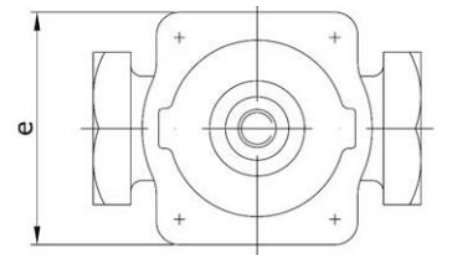
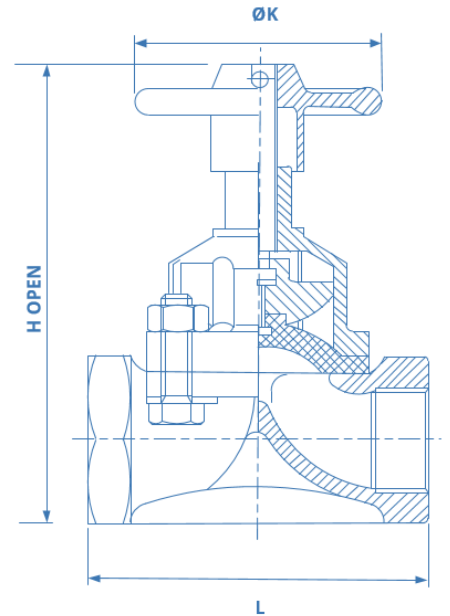


Description

Vannes à diaphragme non doublées à manivelle, utilisées pour fermer ou contrôler les fluides de service, offrant un coût de possession acceptable. Diaphragme EPDM, corps en fonte ductile et BSPP vissé. Test de pression nominal PN16 EN 12266-1

Dimensions

Size	DN	L	H (open)	e	ØK	Kg
1/8"	10	50	70	72	45	1.2
1/2"	15	66	95	72	75	1.5
3/4"	20	85	105	72	75	2
1"	25	110	122	89	85	3.2
1 1/4"	32	124	148	89	120	4
1 1/2"	40	140	155	89	120	6
2"	50	165	183	115	120	8



Manufacture Design Standards: -
 Harmonised Standard EN13397 (November 2001), equivalent to MSS-SP-88-1993 (Reaffirmed 2001)
 QA certified to ISO 9001:2000 - According to Pressure Equipment Directive PED 97/23/EC Article 3 - Paragraph 3 - Testing standards EN12266-1 (March 2003) and BS6755 part 1 (1986)
 Marking according to EN 19 (April 2002)
 Face to face dimensions according to Diaval® standard
 Screwed ends to BSP (BS 21 parallel or taper), NPT (ANSI B1.20.1), other options on request

Operating parameters:

Valve bodies design pressure range: PN16 DN10-50

Standard Materials

Part	Description	Material
01	Body	Ductile Iron GGG40
02	Diaphragm	EPDM
03	Bonnet	Ductile Iron GGG40
04	Compressor	Cast Iron
05	Compressor Pin	Steel
06	Spindle	Steel
07	Handwheel	Cast Iron
08	Handwheel Pin	Steel
09	Body Studs (4 Nos)	Steel
10	Body Nuts (4 Nos)	Steel
11	Thrust Washer	Nylon

