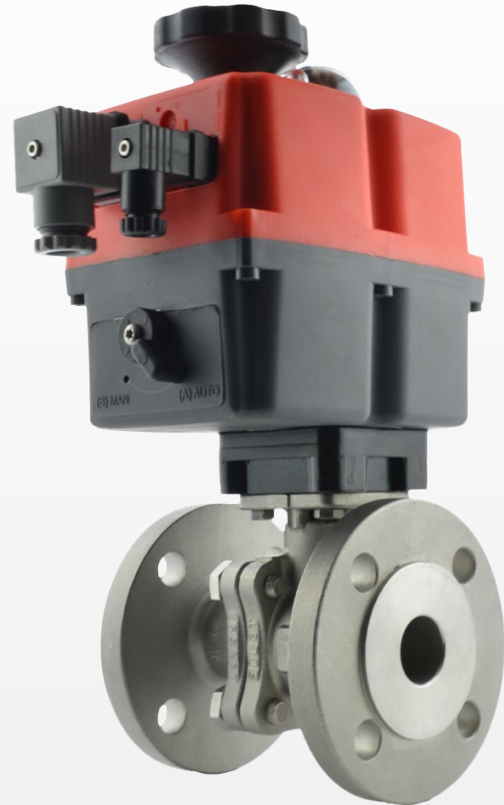


J+J ELECTRIC ACTUATED

PN16 FLANGED STAINLESS STEEL BALL VALVE

Key features:

- Full-bore, 2-piece stainless steel CF8M body
- RPTFE seats
- PN16 flanged connections
- Sizes available: ½" to 4"
- Pressure rating: PN40 rated ½" to 2", PN16 rated 2½" to 4"
- Temperature range: -20°C to 180°C
- Powerful J4C electric actuator
- Multi-voltage: 24-240 VDC/VAC
- On/Off operation with battery backup available on request



DETAILS

A flanged PN16 stainless steel ball valve supplied fitted with J+J electric actuator.

The actuated ball valve offers both economy and provides safe on/off operation for general and industrial applications, offering isolation, performance and reliability.

Designed to meet the demanding needs of today's process flow control requirements.

The actuator is a J+J 4C which is a powerful yet lightweight unit that is ideal for use with this valve for open/closed isolation duties.

The actuator has options for various voltages, it is supplied with anti-condensation heaters, limit and feedback switches, manual override and position indication all fitted as standard and is housed in a IP67 weatherproof enclosure.

Full technical information for the component parts making up these actuated valves can be found in the relevant datasheet as listed in Table 4.

Call 01822 855600 to discuss your project or application further with a member of our technical team or contact us via our online form.

J+J ELECTRIC ACTUATED

PN16 FLANGED STAINLESS STEEL BALL VALVE

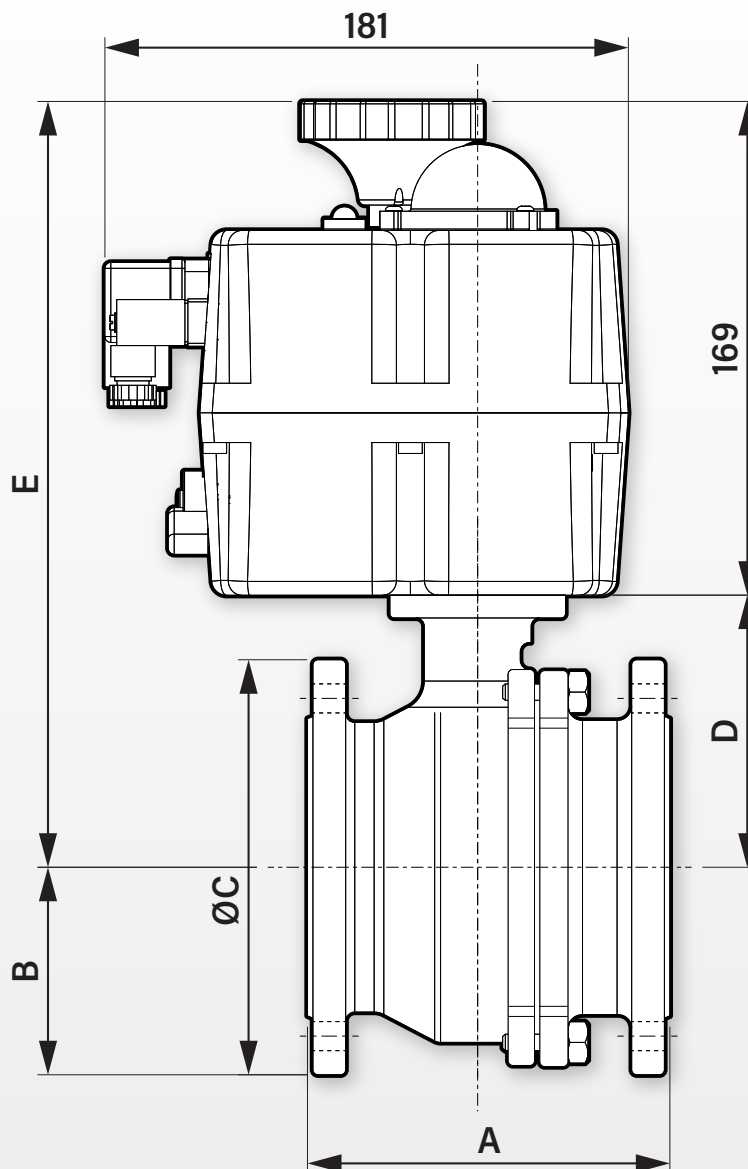


TABLE 1: DIMENSIONS IN MM

Size	DN	Actuator	A	B	ØC	D	E	Weight
½"	DN15	J4C S20	115	47.5	95	48.0	217.0	3.88 kg
¾"	DN20	J4C S20	120	52.5	105	53.0	222.0	4.60 kg
1"	DN25	J4C S20	125	57.5	115	58.5	227.5	5.53 kg
1¼"	DN32	J4C S20	130	70.0	140	71.0	240.0	6.98 kg
1½"	DN40	J4C S35	140	75.0	150	76.5	245.5	8.46 kg
2"	DN50	J4C S55	150	82.5	165	85.0	254.0	11.30 kg
2½"	DN65	J4C S85	170	92.5	185	100.0	269.0	16.40 kg
3"	DN80	J4C S140	180	100.0	200	112.5	281.5	23.40 kg
4"	DN100	J4C S300	190	110.0	220	125.5	294.5	30.90 kg

ECONOMY PN16 FLANGED

STAINLESS STEEL BALL VALVE

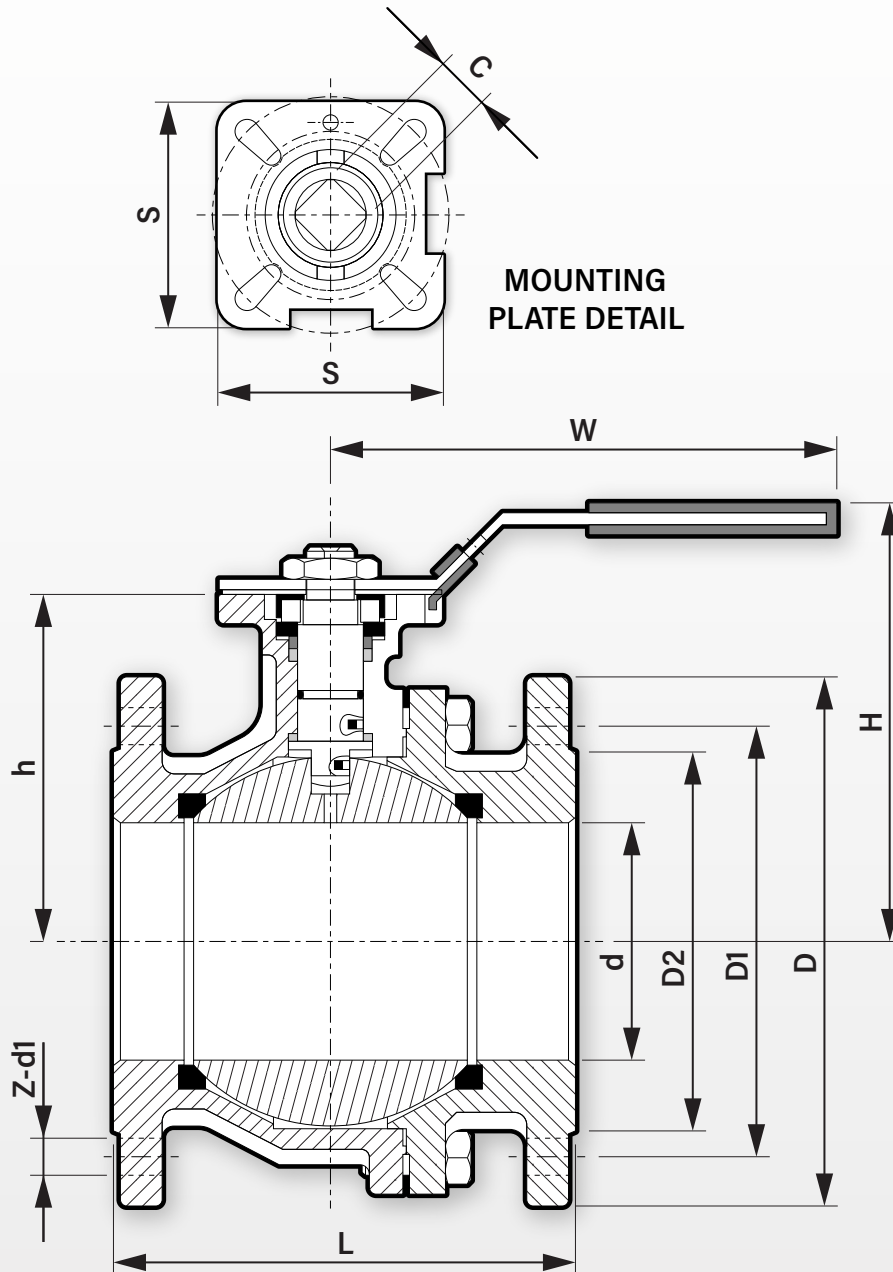
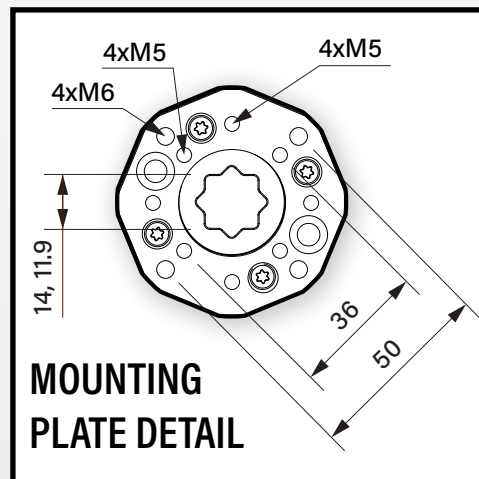
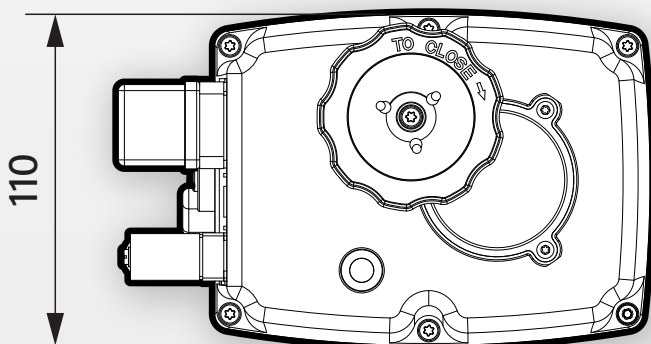
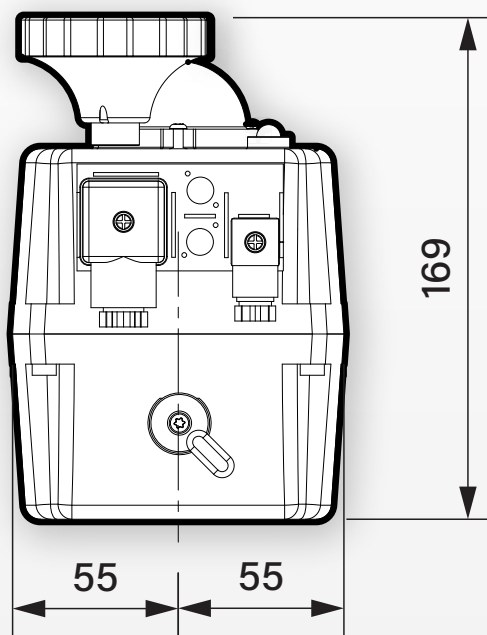
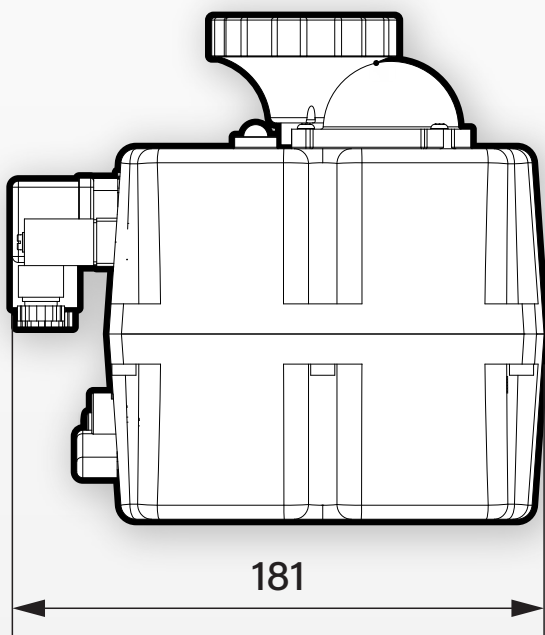
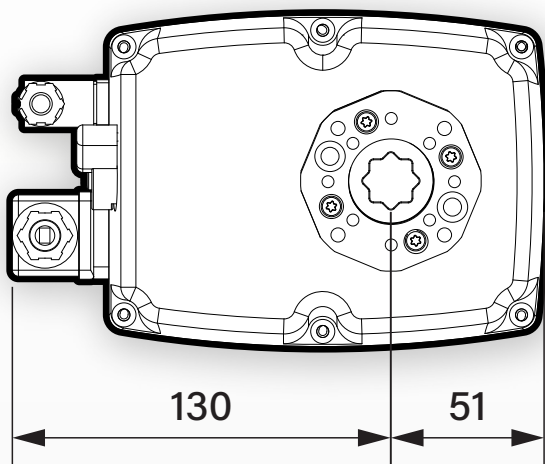


TABLE 2: DIMENSIONS IN MM

Size	d	L	D	D1	D2	b	f	H	W	C	ISO5211	Z-d1	h	s	Weight
½"	15	115	95	65	45	16	2	82	117	9	F03/F04	4-Ø14	48.0	42.6	2.08 kg
¾"	20	120	105	75	58	18	2	87	117	9	F03/F04	4-Ø14	53.0	42.6	2.80 kg
1"	25	125	115	85	68	18	2	90	164	11	F04/F05	4-Ø14	58.5	50.0	3.73 kg
1¼"	32	130	140	100	78	18	2	100	164	11	F04/F05	4-Ø18	71.0	50.0	5.18 kg
1½"	40	140	150	110	88	18	3	116	203	14	F05/F07	4-Ø18	76.5	64.5	6.56 kg
2"	50	150	165	125	102	20	3	125	203	14	F05/F07	4-Ø18	85.0	64.5	8.90 kg
2½"	65	170	185	145	122	18	3	154	255	17	F07/F10	4-Ø18	100.0	93.6	13.40 kg
3"	80	180	200	160	138	20	3	164	255	17	F07/F10	8-Ø18	112.5	93.6	18.20 kg
4"	100	190	220	180	158	20	3	180	302	17	F07/F10	8-Ø18	125.5	93.6	25.70 kg

J+J J4C-S20 AND S35 ELECTRIC

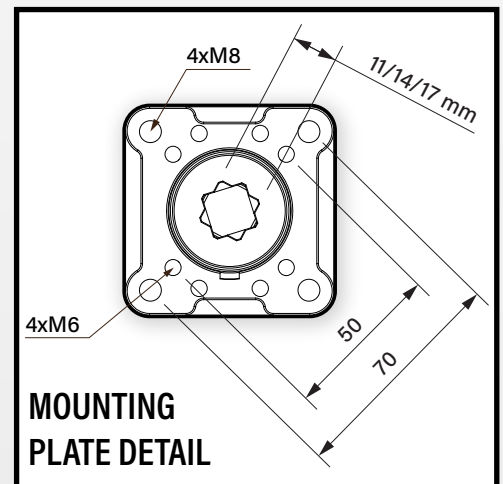
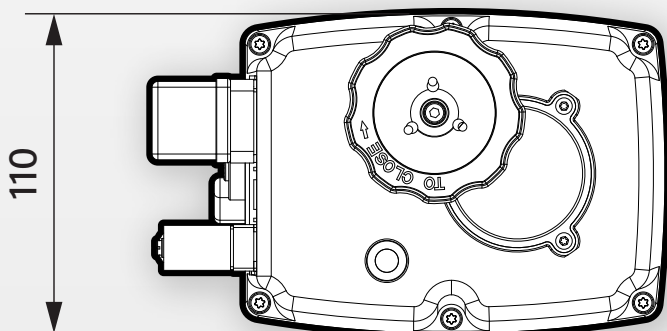
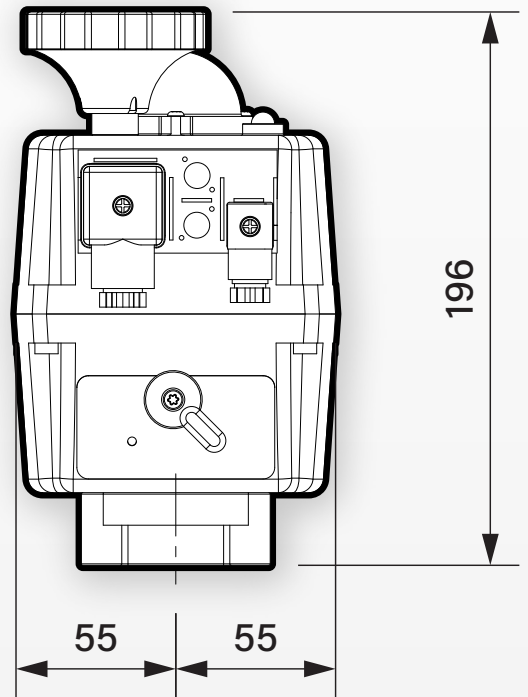
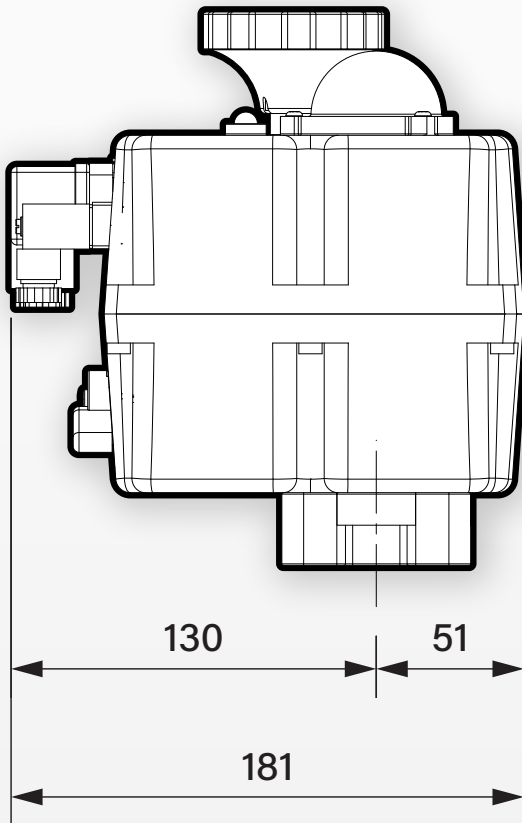
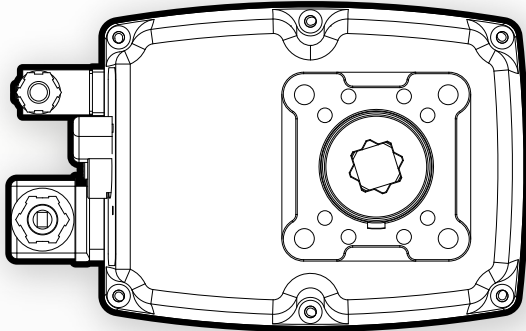
ACTUATOR MULTI-VOLTAGE 20 NM AND 35 NM



EA4324

J+J J4C-S55 ELECTRIC ACTUATOR

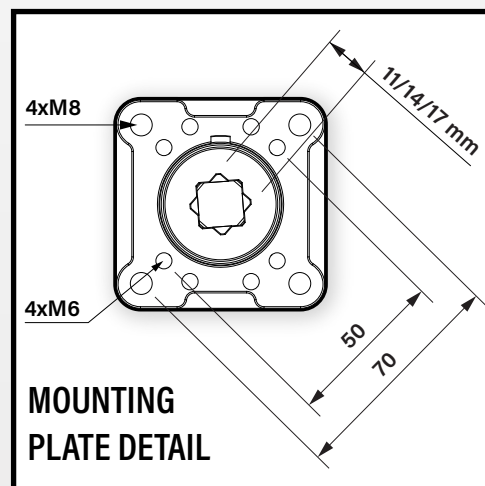
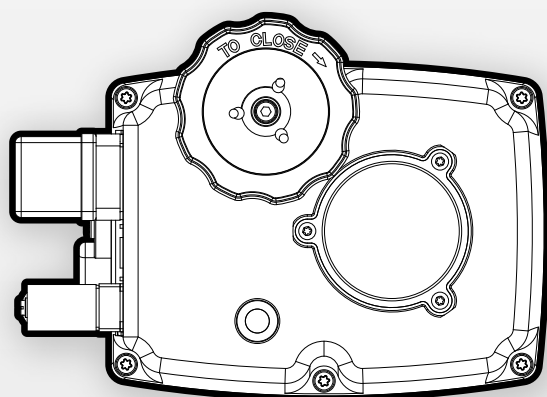
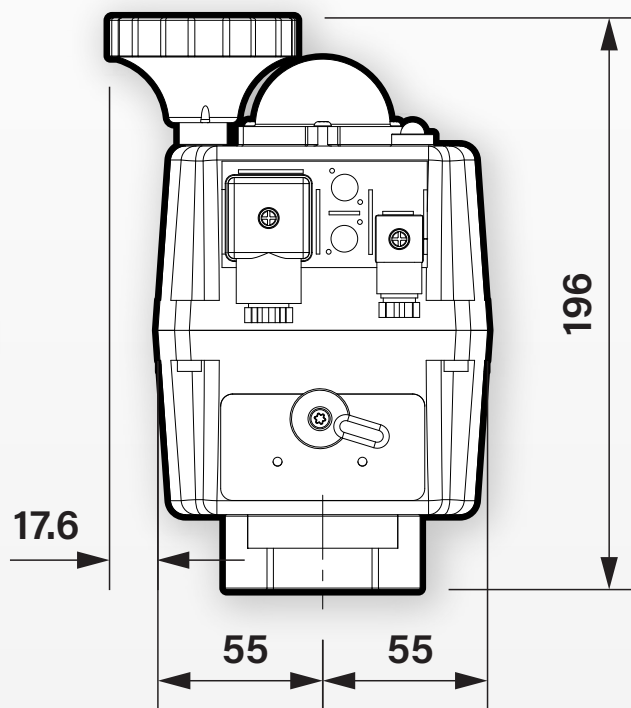
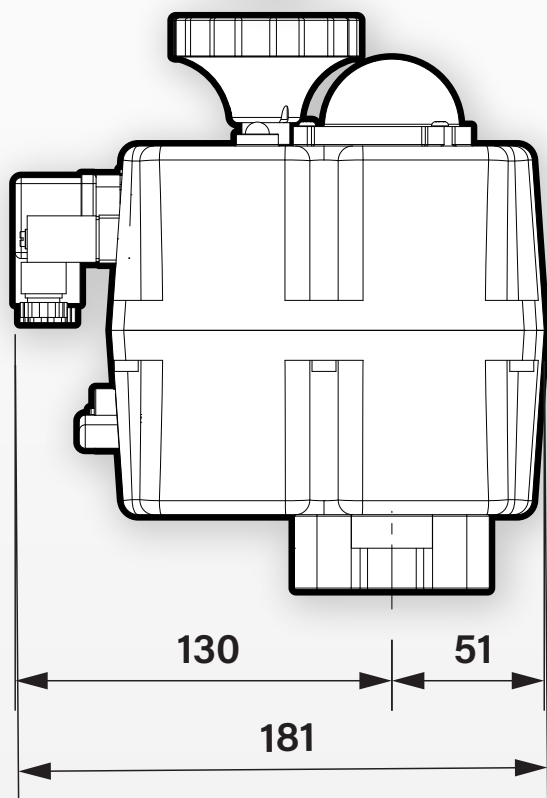
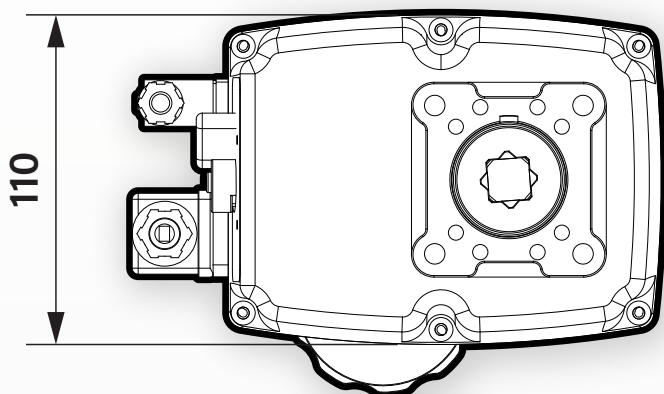
MULTI-VOLTAGE 55 NM



EA4324

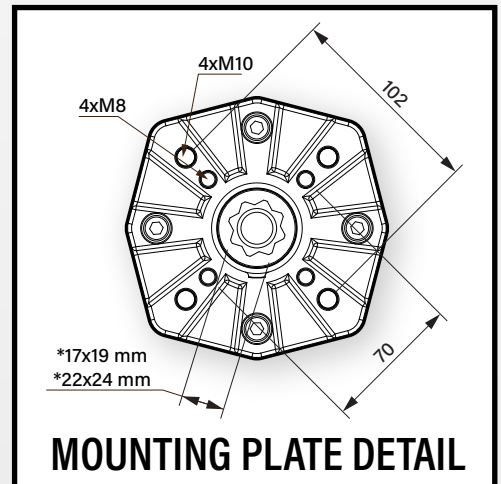
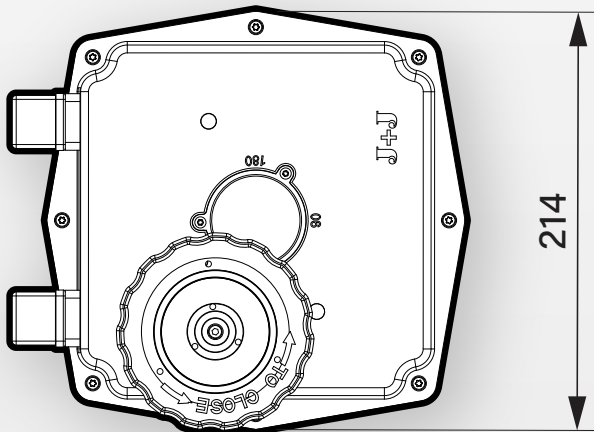
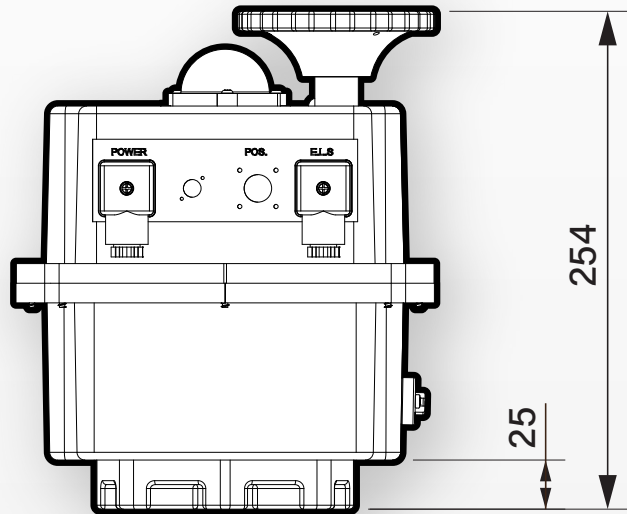
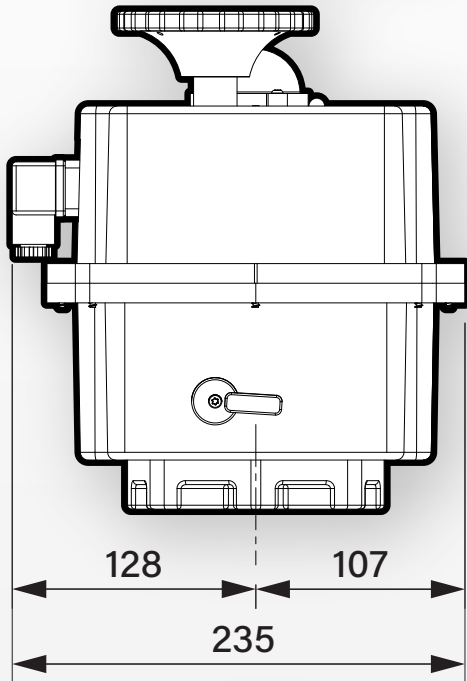
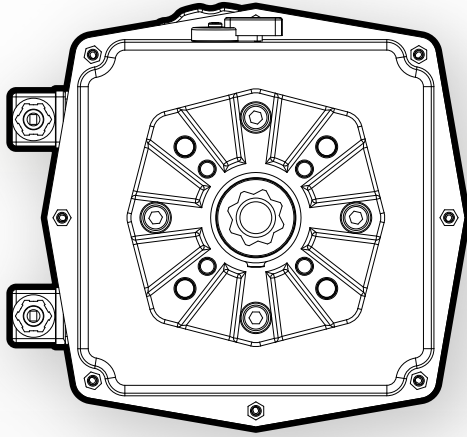
J+J J4C-S85 ELECTRIC ACTUATOR

MULTI-VOLTAGE 85 NM



J+J J4C-S140 AND S300 ELECTRIC

ACTUATOR MULTI-VOLTAGE 140 NM AND 300 NM



MOUNTING PLATE DETAIL

J+J ELECTRIC ACTUATED

PN16 FLANGED STAINLESS STEEL BALL VALVE

TABLE 3: PART NUMBERS
ACTUATED VALVES

Size	DN	SKU
1/2"	DN15	EA4324-100050
3/4"	DN20	EA4324-100075
1"	DN25	EA4324-100100
1 1/4"	DN32	EA4324-100125
1 1/2"	DN40	EA4324-100150
2"	DN50	EA4324-100200
2 1/2"	DN65	EA4324-100250
3"	DN80	EA4324-100300
4"	DN100	EA4324-100400

TABLE 4: PART NUMBERS
COMPONENT PARTS

Size	DN	Ball Valve	On/Off Actuator
1/2"	DN15	BV5245-100050	AP9019-999310
3/4"	DN20	BV5245-100075	AP9019-999310
1"	DN25	BV5245-100100	AP9019-999310
1 1/4"	DN32	BV5245-100125	AP9019-999310
1 1/2"	DN40	BV5245-100150	AP9019-999314
2"	DN50	BV5245-100200	AP9019-999318
2 1/2"	DN65	BV5245-100250	AP9019-999322
3"	DN80	BV5245-100300	AP9019-999326
4"	DN100	BV5245-100400	AP9019-999334