

J+J ELECTRIC ACTUATED

3 WAY BRASS BALL VALVE

Key features:

- Brass nickel plated body
- Reduced bore
- PTFE seals
- 3-way, L-Port or T-Port
- Screwed BSPP connections
- Sizes available: ½" to 2½"
- Working temperature range: -10°C to 100°C
- Pressure rating: PN40
- Powerful J4C electric actuator
- Multi-voltage: 24-240 VDC/VAC



DETAILS

A 3-way ball valve supplied fitted with J+J electric actuator.

The actuated ball valve offers both economy and is suitable for a range of media and applications; mixing, diverting, compressed air, water and HVAC.

The valve features a nickel plated brass body and PTFE seals and is available in sizes ½", ¾", 1", 1¼", 1½", 2", and 2½" with screwed BSPP connections.

Options for L-port or T-port diverting configurations with 90° rotations.

The actuator is a J+J J4C S20 which is a powerful yet lightweight unit that is ideal for use with this valve.

On/Off operation with battery backup available on request.

The actuator has options for various voltages, it is supplied with anti-condensation heaters, limit and feedback switches, manual override and position indication all fitted as standard and is housed in a IP67 weatherproof enclosure.

Full technical information for the component parts making up these actuated valves can be found in the relevant datasheet as listed in Table 5.

Call 01822 855600 to discuss your project or application further with a member of our technical team or contact us via our online form.

J+J ELECTRIC ACTUATED

3 WAY BRASS BALL VALVE

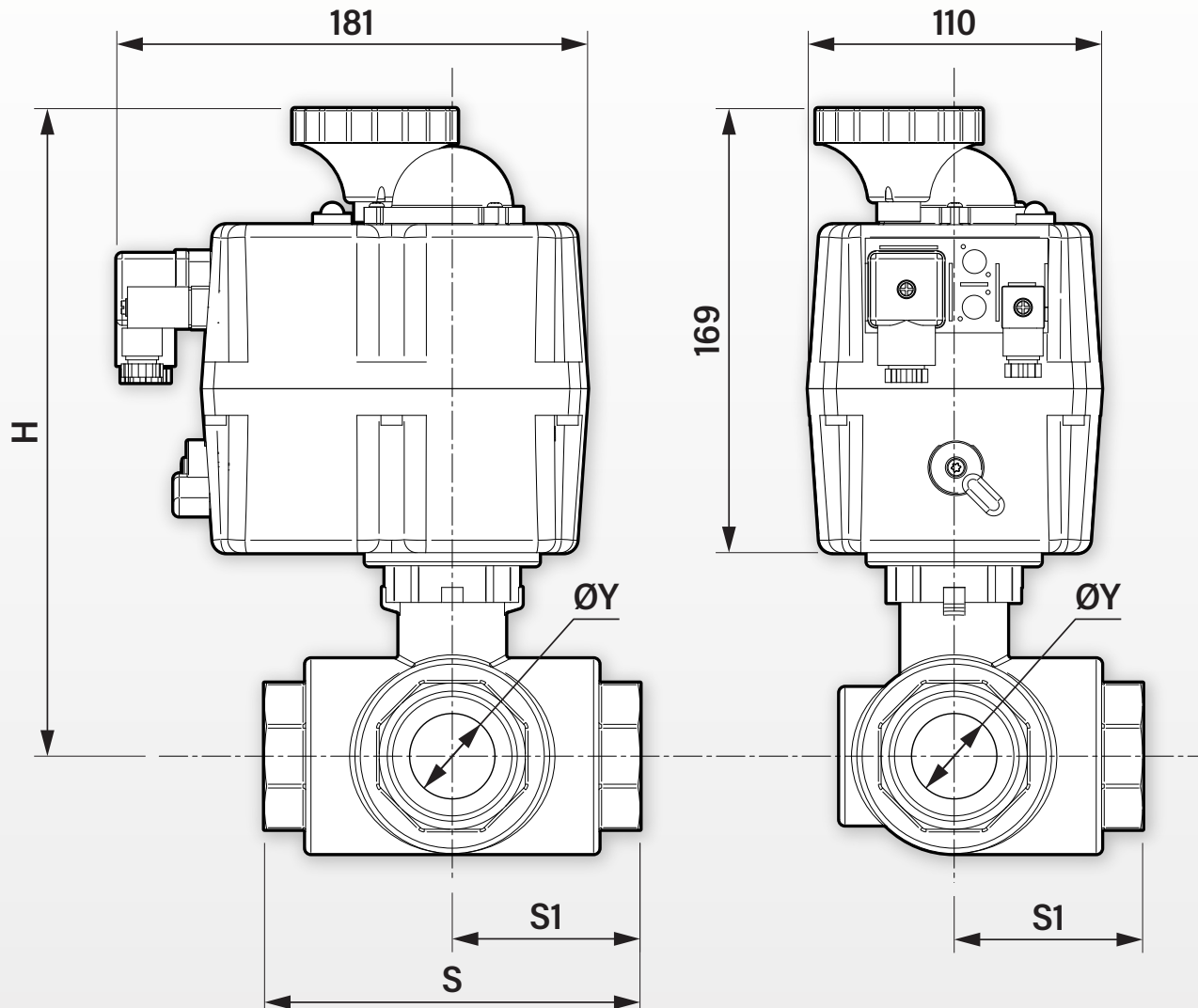


TABLE 1: DIMENSIONS IN MM

BRASS BALL VALVE 3-WAY L-PORT OR T-PORT ▪ J4C S20 ACTUATOR

Size	S	S1	H	ØY	Weight
½"	82	41.0	219.5	10	2.50 kg
¾"	90	45.0	222.5	15	2.93 kg
1"	106	53.0	232.0	20	3.50 kg
1¼"	120	60.0	236.0	25	4.10 kg
1½"	142	71.0	242.0	32	5.50 kg
2"	165	82.5	249.0	40	7.80 kg
2½"	194	97.0	259.5	50	8.60 kg

BRASS BALL VALVE 3-WAY

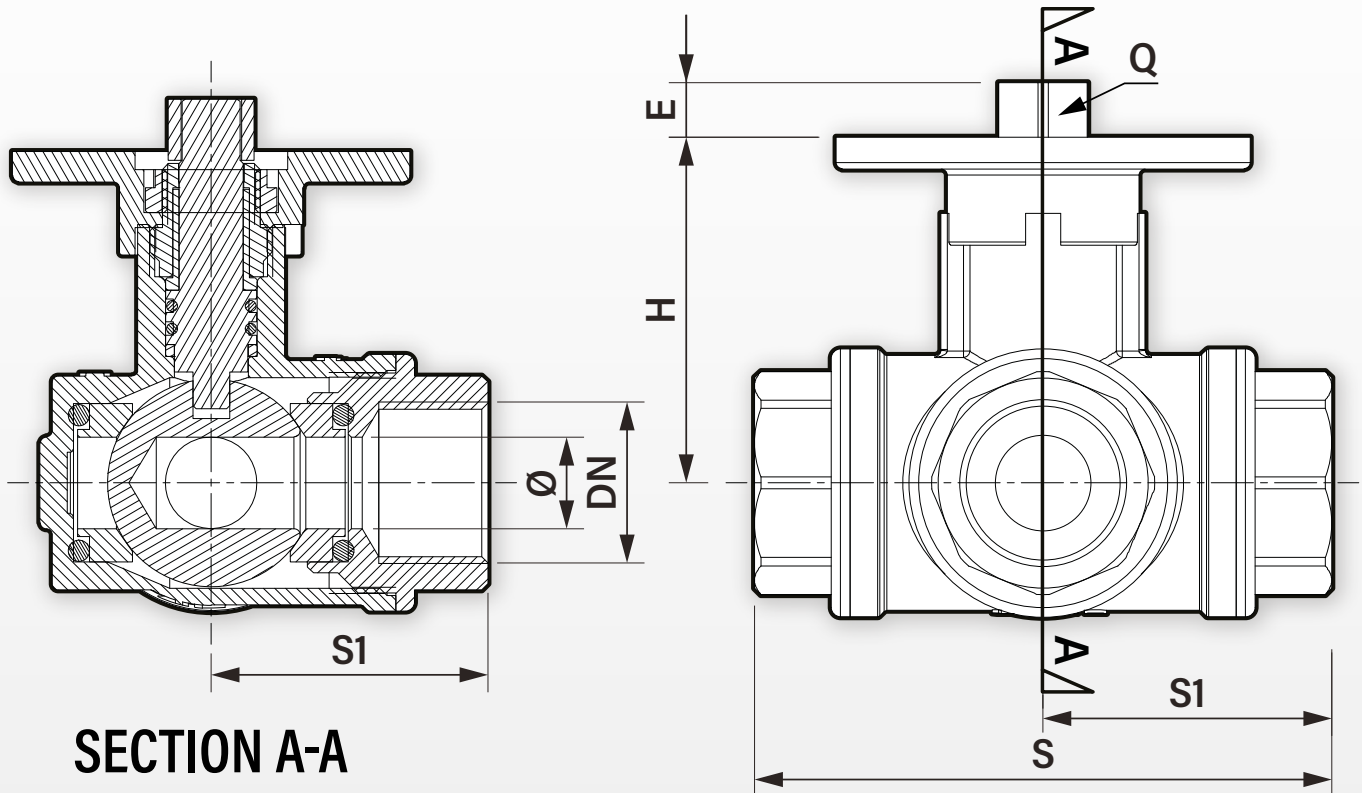


TABLE 2: DIMENSIONS IN MM

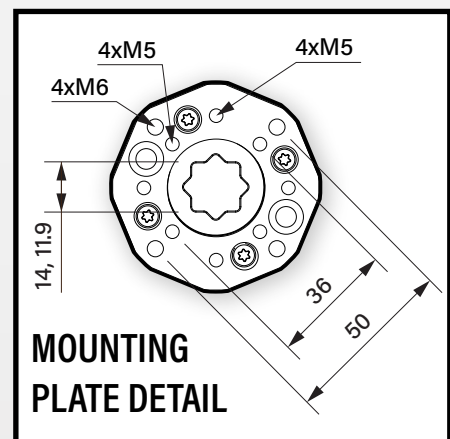
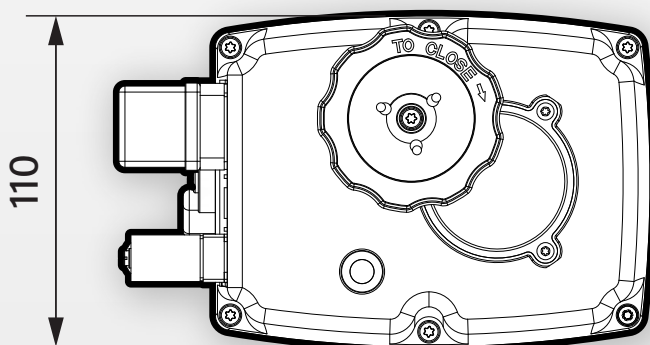
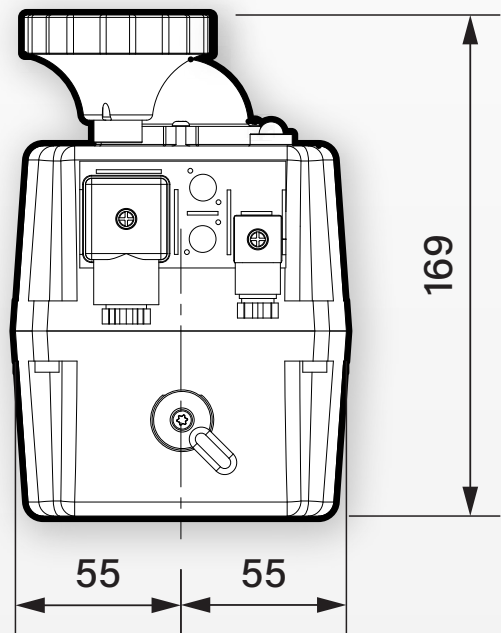
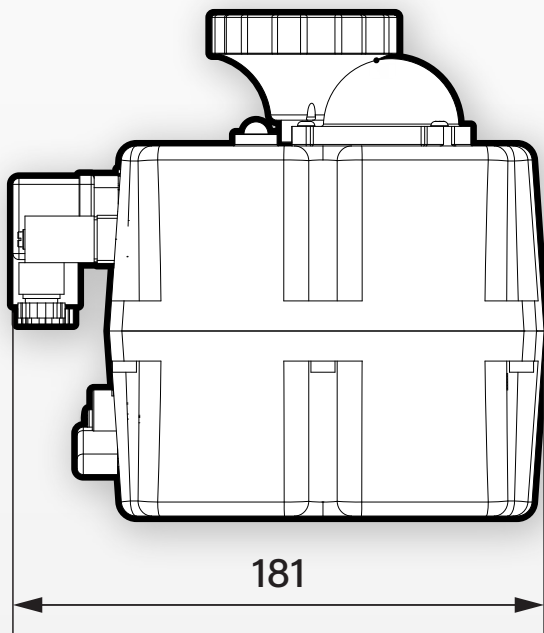
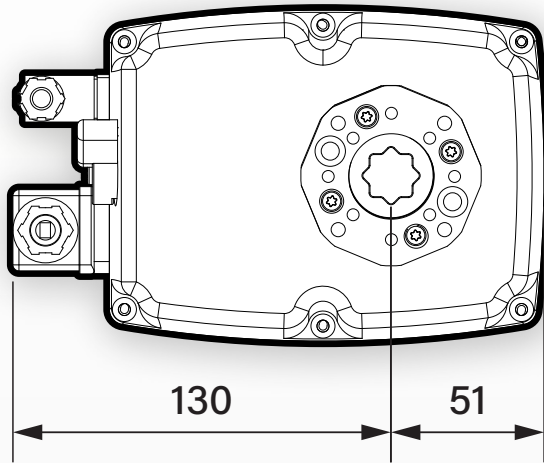
DN	S	S1	Ø	P	H	E	Q	ISO	Nm*	Kv	Weight
½"	82	41.0	10	17.00	50.5	8	9	F03	4.0	2.27	0.70 kg
¾"	90	45.0	15	18.35	53.5	8	9	F03	4.0	5.50	1.13 kg
1"	106	53.0	20	20.00	63.0	10	11	F05	5.0	10.76	1.70 kg
1¼"	120	60.0	25	23.50	67.0	10	11	F05	6.0	17.26	2.30 kg
1½"	142	71.0	32	28.50	73.0	12	14	F05	8.0	24.97	3.70 kg
2"	165	82.5	40	32.00	80.0	12	14	F05	9.0	45.09	6.00 kg
2½"	194	97.0	50	35.00	90.5	12	14	F05	12.0	TBC	6.80 kg

Nm* Data effected without pressure in accordance with Directive 97/23/CE TAB. 6

EA5071

J+J J4C S20 ELECTRIC

ACTUATOR MULTI-VOLTAGE 20 NM



J+J ELECTRIC ACTUATED

3 WAY BRASS BALL VALVE

**TABLE 3: PART NUMBERS
ACTUATED VALVES 3-WAY L-PORT**

Size	SKU
½"	EA5071-118607
¾"	EA5071-118608
1"	EA5071-118609
1¼"	EA5071-118610
1½"	EA5071-118611
2"	EA5071-118612
2½"	EA5071-118613

**TABLE 4: PART NUMBERS
ACTUATED VALVES 3-WAY T-PORT**

Size	SKU
½"	EA5071-118614
¾"	EA5071-118615
1"	EA5071-118616
1¼"	EA5071-118617
1½"	EA5071-118618
2"	EA5071-118619
2½"	EA5071-118620

**TABLE 5: PART NUMBERS
COMPONENT PARTS**

Size	3-Way L-Port Ball Valve	3-Way T-Port Ball Valve	Actuator
½"	BV5071-118607	BV5071-118600	AP9019-999310
¾"	BV5071-118608	BV5071-118601	AP9019-999310
1"	BV5071-118609	BV5071-118602	AP9019-999310
1¼"	BV5071-118610	BV5071-118603	AP9019-999310
1½"	BV5071-118611	BV5071-118604	AP9019-999310
2"	BV5071-118612	BV5071-118605	AP9019-999310
2½"	BV5071-118613	BV5071-118606	AP9019-999310