

J+J ELECTRIC ACTUATED SANITARY

MARS SERIES 77SN BALL VALVE

Key features:

- 3-piece stainless steel body
- Full-bore ball valve
- OD weld or Tri-clamp end connections
- Cavity filled PTFE seat
- Sizes available: ½" to 4"
- Powerful J4C electric actuator
- Multi-voltage actuator: 24 - 240 VDC / VAC
- On/Off operation as standard with failsafe backup available on request



DETAILS

The electric actuated Mars Ball Valve Series 77SN is a sanitary ball valve fitted with a J4C electric actuator suitable for use in food processing, pharmaceutical and high velocity sanitary applications.

The ball valve has a 3-piece stainless steel body has OD Weld or Tri-Clamp end connections and cavity filled PTFE seats.

The actuator is a J+J 4C which is a powerful yet lightweight unit providing a cost effective solution for automated 'shut-off' of medium flows.

The actuator has options for various voltages, it is supplied with anti-condensation heaters, limit and feedback switches, manual override and position indication all fitted as standard and is housed in a IP67 weatherproof enclosure.

The actuator is supplied for On/Off operation as standard with failsafe backup available on request.

Full technical information for the component parts making up these actuated valves can be found in the relevant datasheet as listed in Table 8.

Call 01822 855600 to discuss your project or application further with a member of our technical team or contact us via our online form.

J+J ELECTRIC ACTUATED SANITARY

MARS SERIES 77SN BALL VALVE

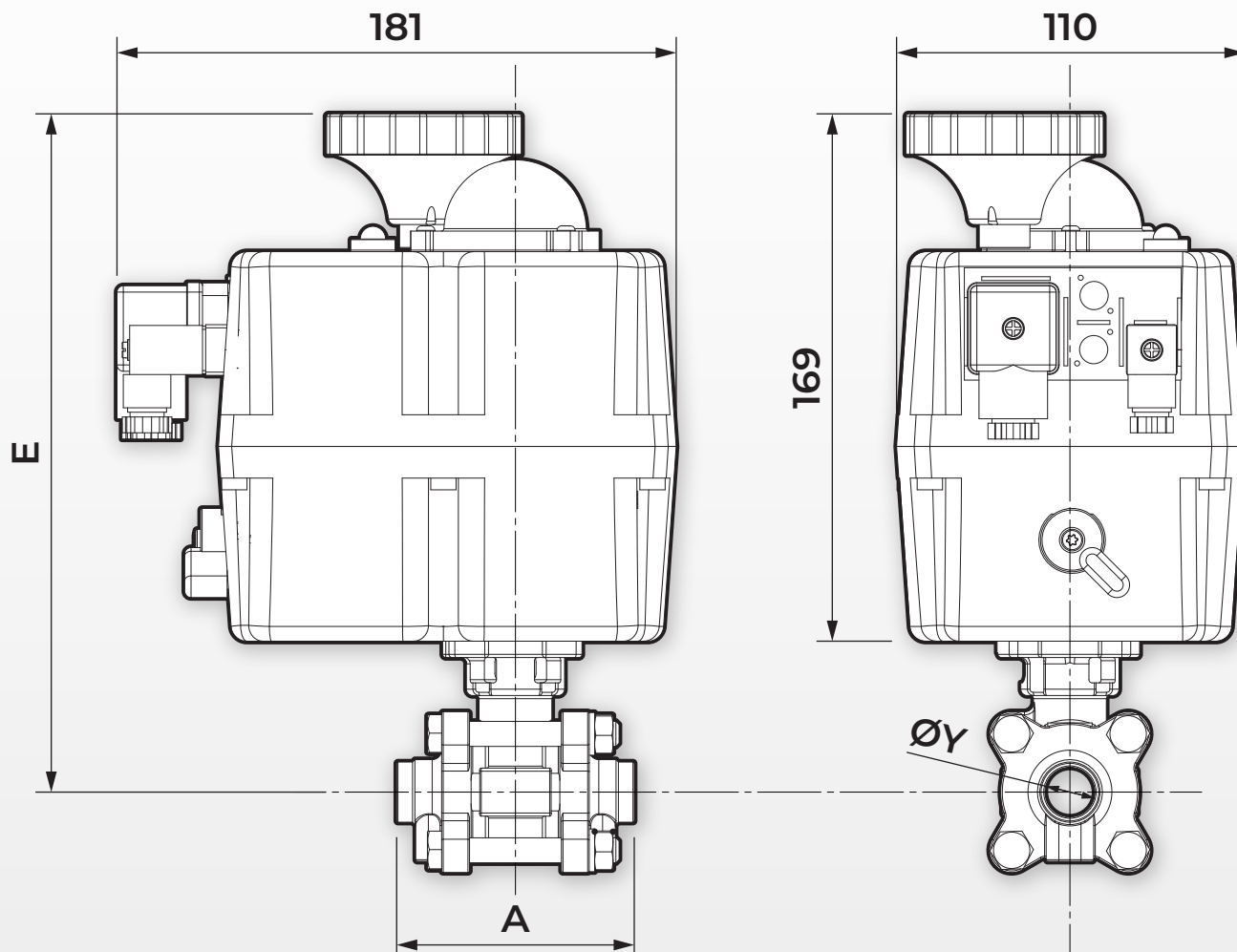


TABLE 1: DIMENSIONS IN MM

½" TO 1" BALL VALVES WITH OD WELD END CONNECTIONS • J4C S20 AND J4C S35 ACTUATORS

Size	Actuator	A	E	ØY	Weight
½"	J4C-20	139.8	211.1	9.4	2.51 kg
¾"	J4C-20	146.0	217.0	15.75	2.71 kg
1"	J4C-35	158.7	225.6	22.2	3.16 kg
1½"	J4C-85	190.6	273.5	34.9	6.24 kg
2"	J4C-85	216.0	281.2	47.5	6.56 kg
2½"	J4C-140	247.6	362.7	60.3	15.01 kg
3"	J4C-140	266.8	371.7	73.0	18.39 kg
4"	J4C-300	317.6	386.6	97.4	26.33 kg

J+J ELECTRIC ACTUATED SANITARY

MARS SERIES 77SN BALL VALVE

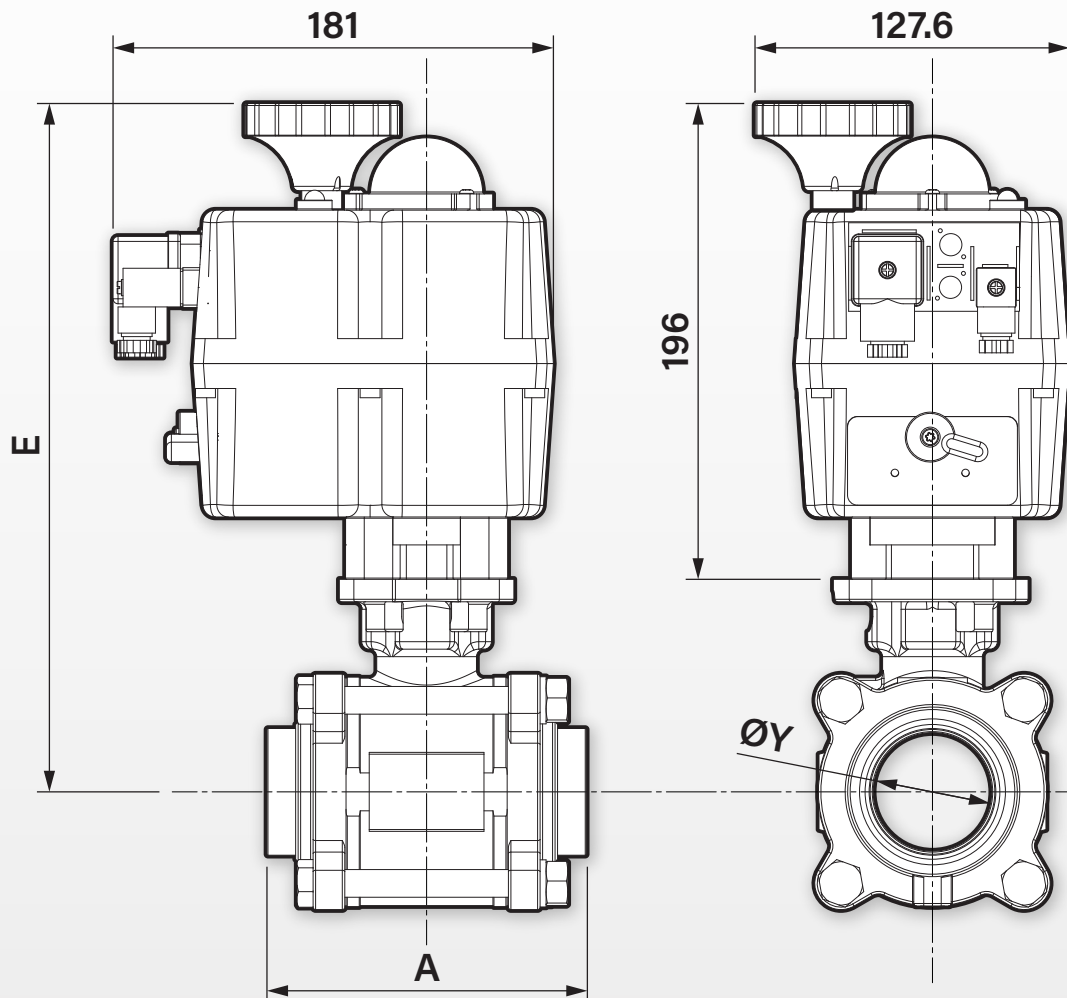


TABLE 2: DIMENSIONS IN MM

1½" AND 2" BALL VALVES WITH OD WELD END CONNECTIONS • J4C S85 ACTUATOR

Size	Actuator	A	E	ØY	Weight
½"	J4C-20	139.8	211.1	9.4	2.51 kg
¾"	J4C-20	146.0	217.0	15.75	2.71 kg
1"	J4C-35	158.7	225.6	22.2	3.16 kg
1½"	J4C-85	190.6	273.5	34.9	6.24 kg
2"	J4C-85	216.0	281.2	47.5	6.56 kg
2½"	J4C-140	247.6	362.7	60.3	15.01 kg
3"	J4C-140	266.8	371.7	73.0	18.39 kg
4"	J4C-300	317.6	386.6	97.4	26.33 kg

J+J ELECTRIC ACTUATED SANITARY

MARS SERIES 77SN BALL VALVE

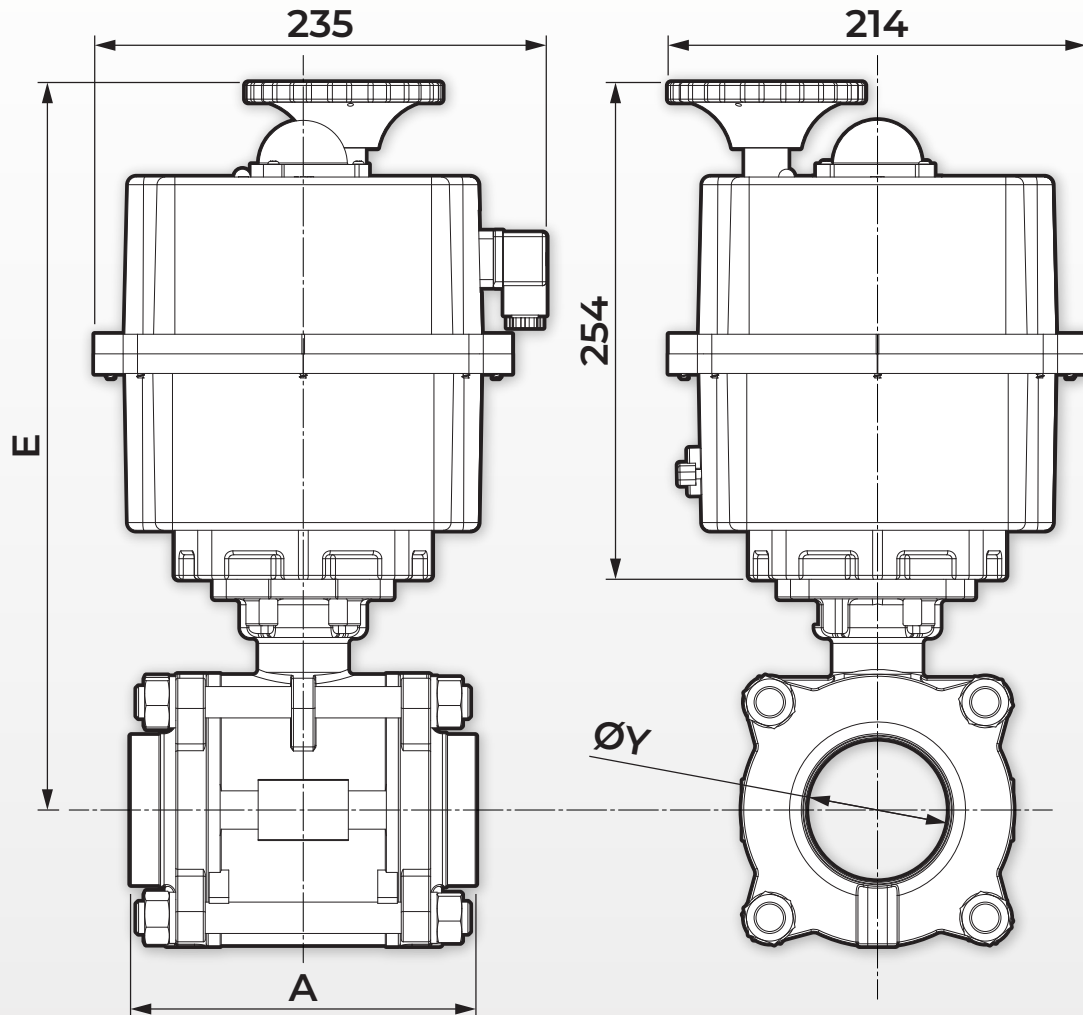
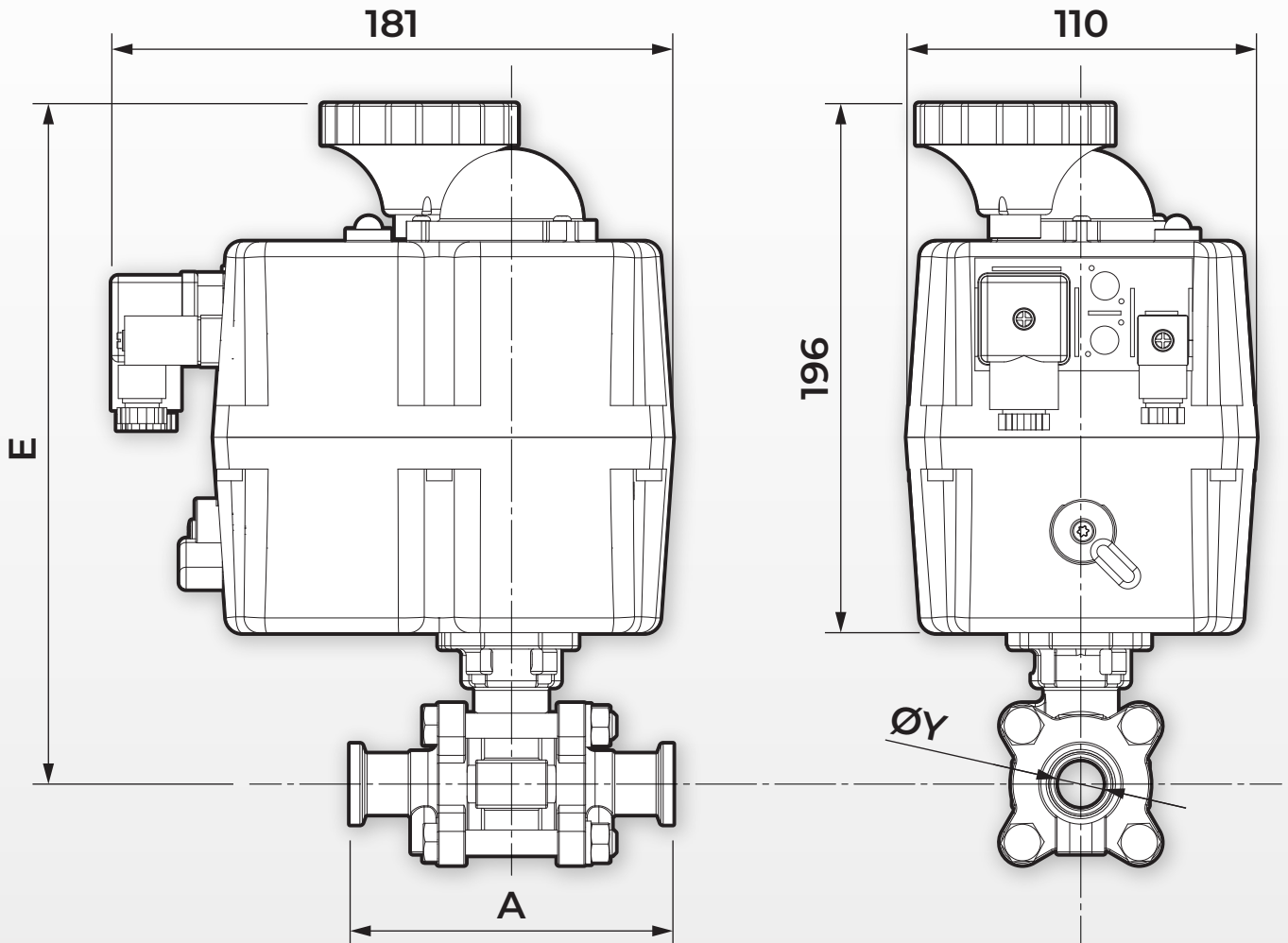


TABLE 3: DIMENSIONS IN MM

2½" TO 4" BALL VALVES WITH OD WELD END CONNECTIONS • J4C S140 AND J4C S300 ACTUATORS

Size	Actuator	A	E	ØY	Weight
½"	J4C-20	139.8	211.1	9.4	2.51 kg
¾"	J4C-20	146.0	217.0	15.75	2.71 kg
1"	J4C-35	158.7	225.6	22.2	3.16 kg
1½"	J4C-85	190.6	273.5	34.9	6.24 kg
2"	J4C-85	216.0	281.2	47.5	6.56 kg
2½"	J4C-140	247.6	362.7	60.3	15.01 kg
3"	J4C-140	266.8	371.7	73.0	18.39 kg
4"	J4C-300	317.6	386.6	97.4	26.33 kg

J+J ELECTRIC ACTUATED SANITARY
MARS SERIES 77SN BALL VALVE

TABLE 4: DIMENSIONS IN MM
½" TO 1" BALL VALVES WITH TRI-CLAMP END CONNECTIONS - J4C S20 AND J4C S35 ACTUATORS

Size	Actuator	A	E	ØY	Weight
½"	J4C-20	89.1	211.1	9.4	2.56 kg
¾"	J4C-20	101.6	217.0	15.75	2.67 kg
1"	J4C-35	114.5	225.6	22.2	3.34 kg
1½"	J4C-85	140.1	273.5	34.9	6.29 kg
2"	J4C-85	159.0	281.2	47.5	7.57 kg
2½"	J4C-140	174.0	362.7	60.3	14.66 kg
3"	J4C-140	193.2	371.7	73.0	18.01 kg
4"	J4C-300	226.0	386.6	97.4	25.53 kg

J+J ELECTRIC ACTUATED SANITARY

MARS SERIES 77SN BALL VALVE

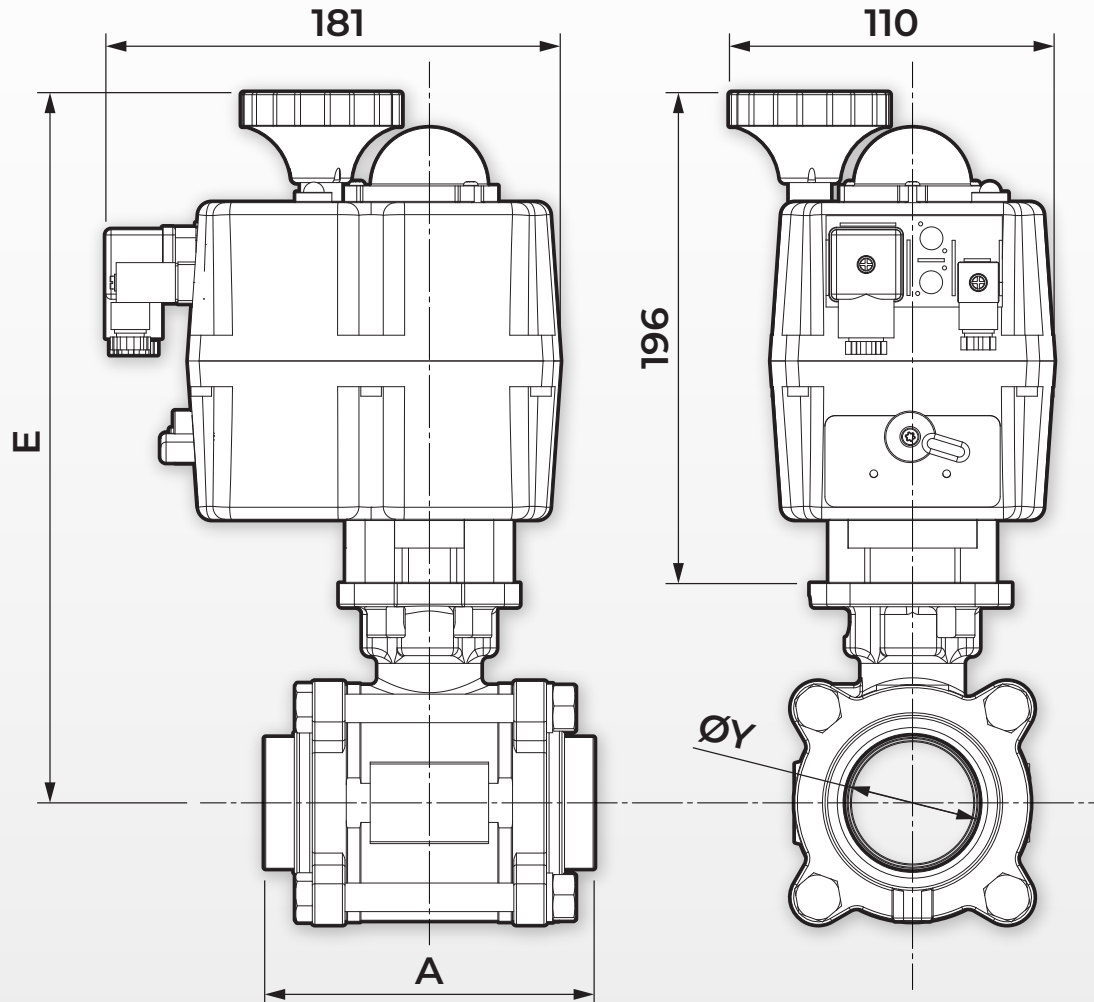


TABLE 5: DIMENSIONS IN MM

1½" AND 2" BALL VALVES WITH TRI-CLAMP END CONNECTIONS • J4C S85 ACTUATOR

Size	Actuator	A	E	ØY	Weight
½"	J4C-20	89.1	211.1	9.4	2.56 kg
¾"	J4C-20	101.6	217.0	15.75	2.67 kg
1"	J4C-35	114.5	225.6	22.2	3.34 kg
1½"	J4C-85	140.1	273.5	34.9	6.29 kg
2"	J4C-85	159.0	281.2	47.5	7.57 kg
2½"	J4C-140	174.0	362.7	60.3	14.66 kg
3"	J4C-140	193.2	371.7	73.0	18.01 kg
4"	J4C-300	226.0	386.6	97.4	25.53 kg

J+J ELECTRIC ACTUATED SANITARY

MARS SERIES 77SN BALL VALVE

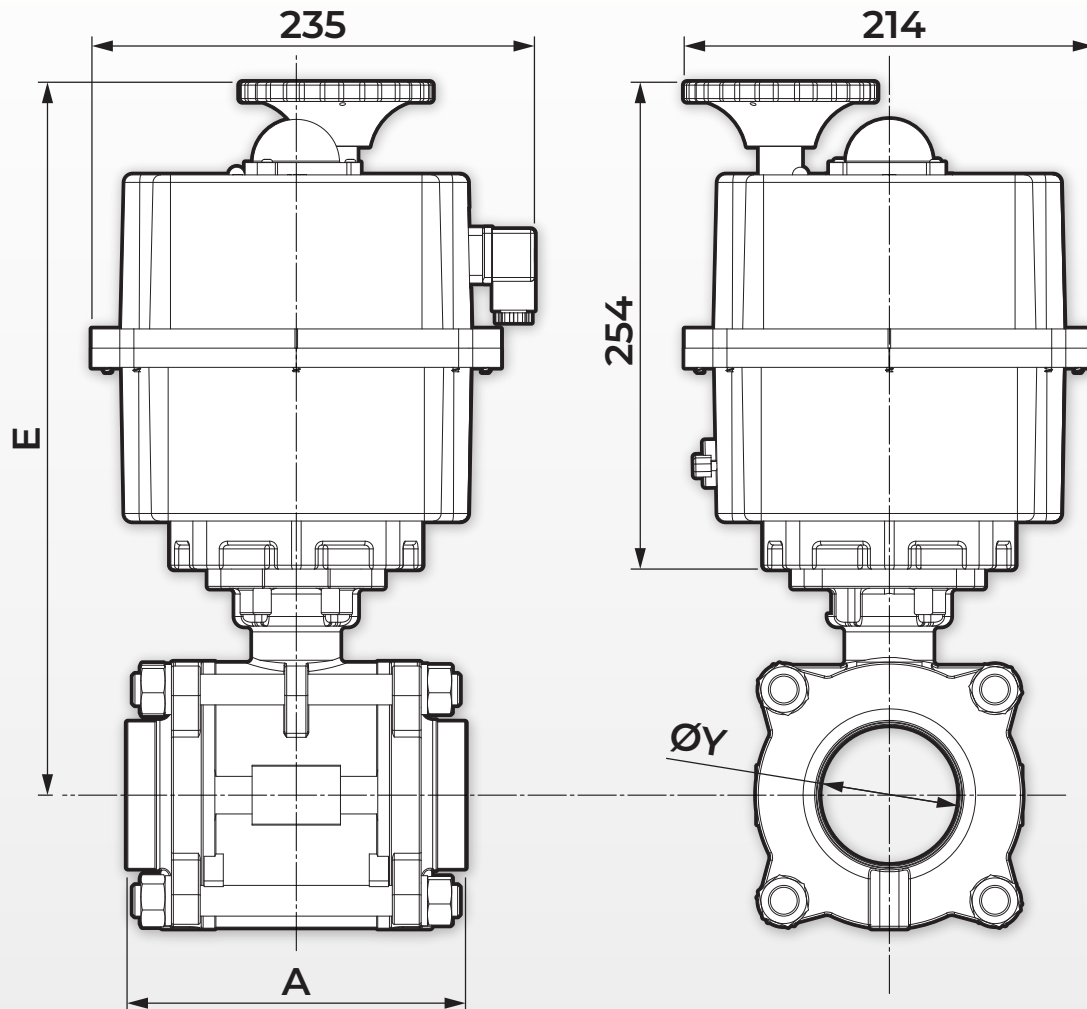


TABLE 6: DIMENSIONS IN MM

2½" TO 4" BALL VALVES WITH TRI-CLAMP END CONNECTIONS - J4C S140 AND J4C S300 ACTUATORS

Size	Actuator	A	E	ØY	Weight
½"	J4C-20	89.1	211.1	9.4	2.56 kg
¾"	J4C-20	101.6	217.0	15.75	2.67 kg
1"	J4C-35	114.5	225.6	22.2	3.34 kg
1½"	J4C-85	140.1	273.5	34.9	6.29 kg
2"	J4C-85	159.0	281.2	47.5	7.57 kg
2½"	J4C-140	174.0	362.7	60.3	14.66 kg
3"	J4C-140	193.2	371.7	73.0	18.01 kg
4"	J4C-300	226.0	386.6	97.4	25.53 kg

J+J ELECTRIC ACTUATED SANITARY
MARS SERIES 77SN BALL VALVE
**TABLE 7: PART NUMBERS
 ACTUATED VALVES**

Size	OD Weld End Connections	Tri-Clamp End Connections
½"	EA5135-142000	EA5135-142008
¾"	EA5135-142001	EA5135-142009
1"	EA5135-142002	EA5135-142010
1½"	EA5135-142003	EA5135-142011
2"	EA5135-142004	EA5135-142012
2½"	EA5135-142005	EA5135-142013
3"	EA5135-142006	EA5135-142014
4"	EA5135-142007	EA5135-142015

**TABLE 8: PART NUMBERS
 COMPONENT PARTS**

Size	OD Weld Ball Valve	Tri Clamp Ball Valve	Actuator
½"	BV5135-142000	BV5134-141950	AP9019-999310
¾"	BV5135-142001	BV5134-141951	AP9019-999310
1"	BV5135-142002	BV5134-141952	AP9020-999314
1½"	BV5135-142003	BV5134-141953	AP9022-999322
2"	BV5135-142004	BV5134-141954	AP9022-999322
2½"	BV5135-142005	BV5134-141955	AP9023-999326
3"	BV5135-142006	BV5134-141956	AP9023-999326
4"	BV5135-142007	BV5134-141957	AP9024-999334