

## J+J ELECTRIC ACTUATED

## LUGGED BUTTERFLY VALVE

A WRAS approved butterfly valve offering the following key features:

- Epoxy coated, ductile iron body
- Stainless steel disc
- EPDM liner
- Lugged and tapped to suit PN16
- Sizes available: 1½" to 8" (WRAS approved: 2" to 8" only)
- Powerful J4C electric actuator



## DETAILS

This electric actuated resilient seated, lugged butterfly valve is fitted with the J+J J4C powerful electric actuator.

The butterfly valve has an epoxy coated, ductile iron body and an EPDM liner that is suitable for use with drinking/potable water. It has a stainless steel disc and shaft.

The valve is equipped with an ISO mounting pad that allows direct mounting of actuators eliminating the use of costly brackets.

The actuator is a J+J 4C which is a powerful yet lightweight unit that is ideal for use with this valve for open/closed isolation duties.

The actuator has options for various voltages, it is supplied with anti-condensation heaters, limit and feedback switches, manual override and position indication all fitted as standard and is housed in a IP67 weatherproof enclosure.

These valves are WRAS approved from 2" upwards.

Full technical information for the component parts making up these actuated valves can be found in the relevant datasheet as listed in Table 6.

Call 01822 855600 to discuss your project or application further with a member of our technical team or contact us via our online form.



## J+J ELECTRIC ACTUATED

## LUGGED BUTTERFLY VALVE

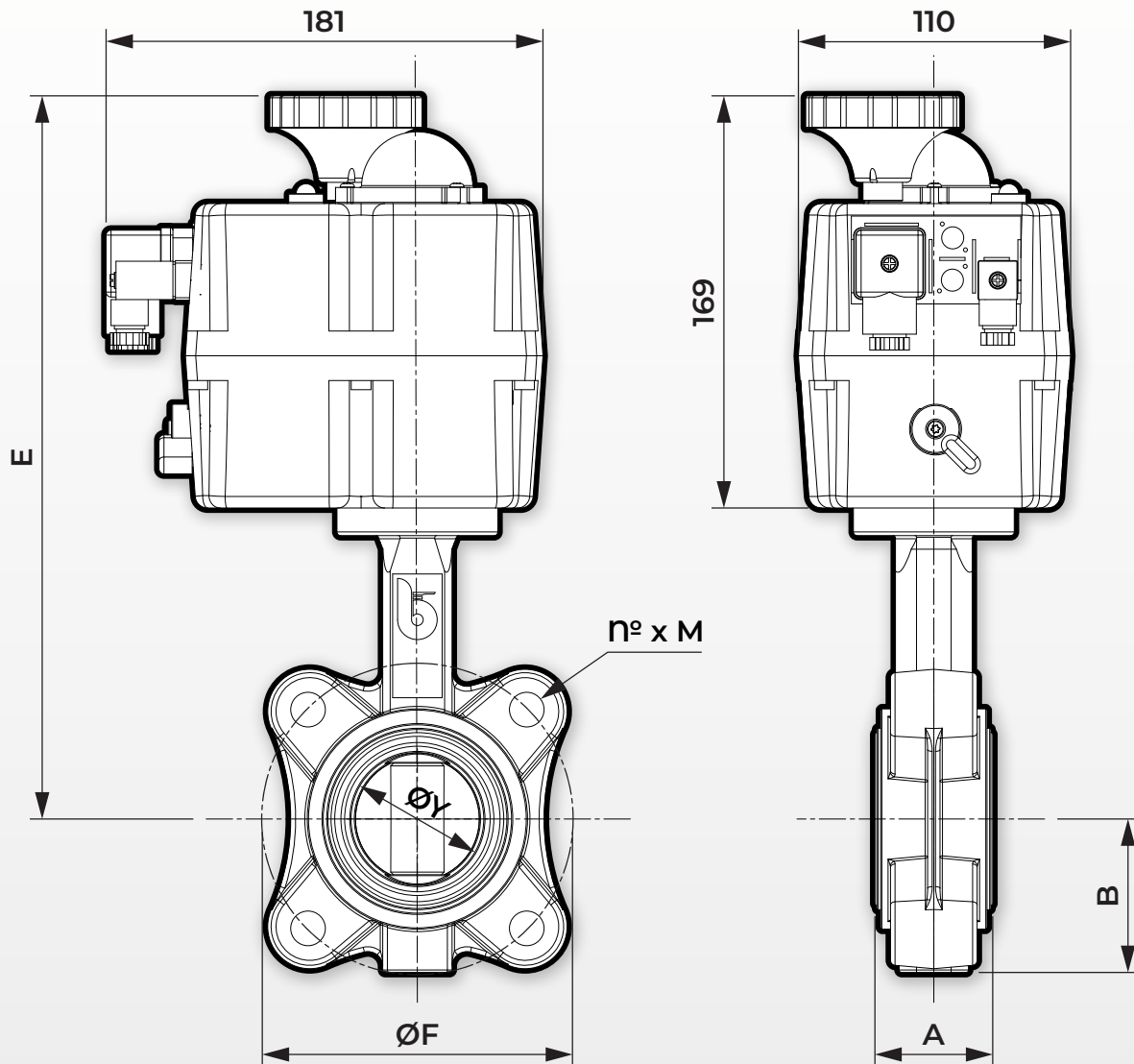


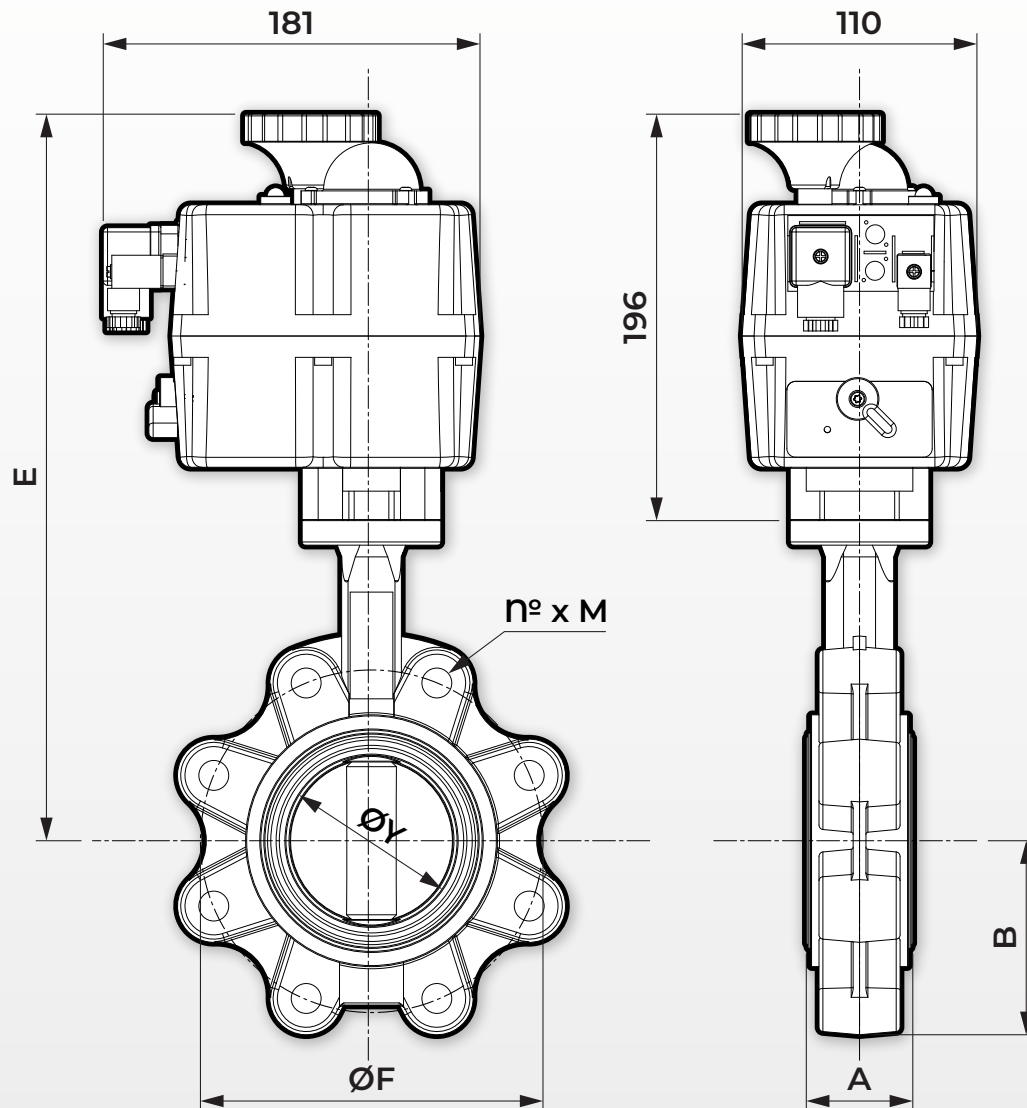
TABLE 1: DIMENSIONS IN MM

## 1½" TO 2½" BUTTERFLY VALVES ▪ J4C S20 AND J4C S35 ACTUATORS

Size	Actuator	A	B	E	ØY	ØF	n°. x M	Weight
1½"	J4C-S20	33	63	285	27	110	4 x 16	4.1 kg
2"	J4C-S20	43	62	295	31	125	4 x 16	5.0 kg
2½"	J4C-S35	46	69	305	45	145	4 x 16	6.0 kg
3"	J4C-S55	46	90	346	65	160	8 x 16	7.8 kg
4"	J4C-S85	52	106	366	90	180	8 x 16	9.7 kg
5"	J4C-S140	56	119	434	110	210	8 x 16	14.8 kg
6"	J4C-S140	56	131	454	146	240	8 x 20	16.0 kg
8"	J4C-S300	60	166	484	194	295	12 x 20	26.3 kg

## J+J ELECTRIC ACTUATED

## LUGGED BUTTERFLY VALVE

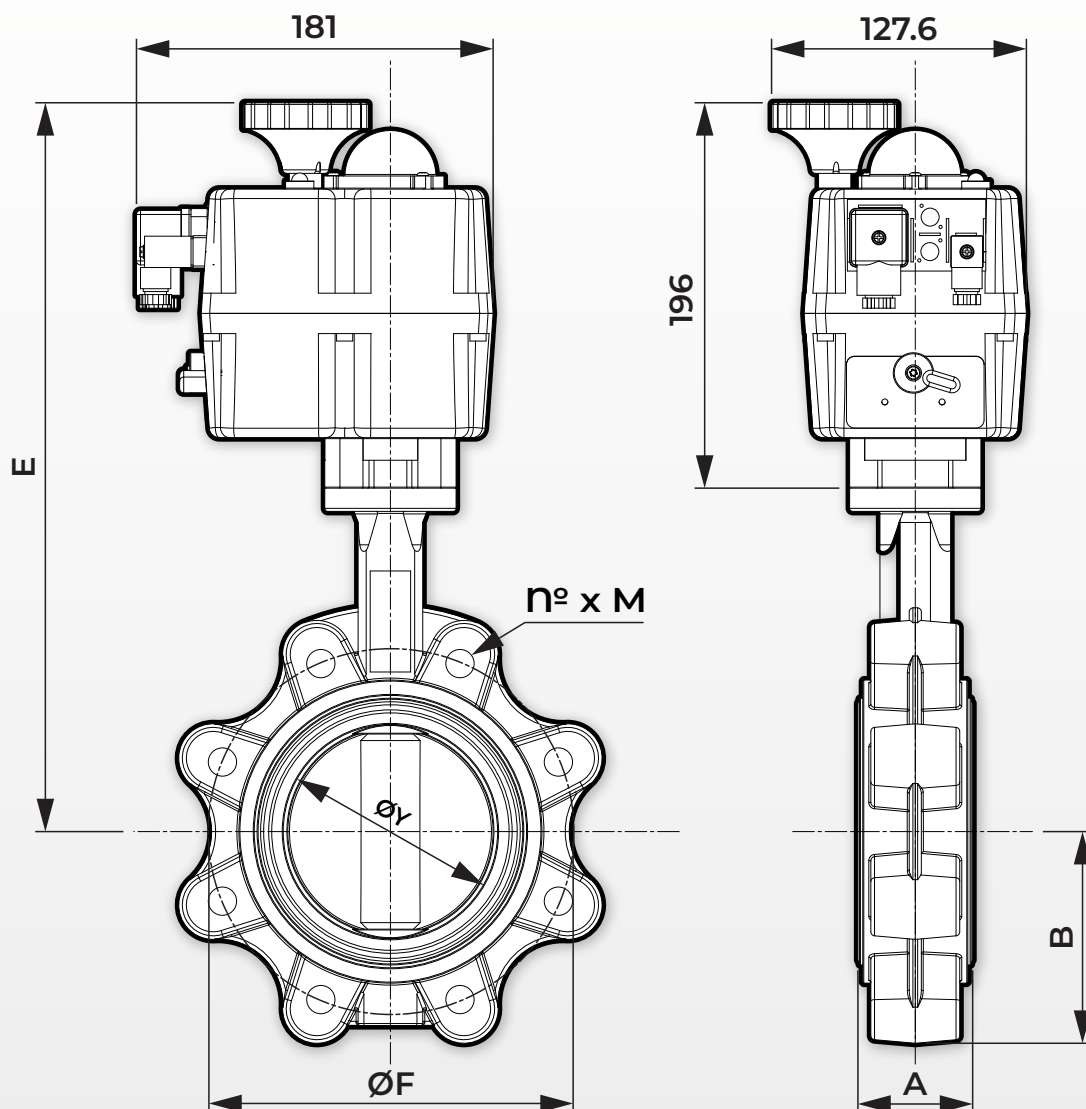


**TABLE 2: DIMENSIONS IN MM**  
**3" BUTTERFLY VALVE ▪ J4C S55 ACTUATOR**

Size	Actuator	A	B	E	ØY	ØF	n°. x M	Weight
1½"	J4C-S20	33	63	285	27	110	4 x 16	4.1 kg
2"	J4C-S20	43	62	295	31	125	4 x 16	5.0 kg
2½"	J4C-S35	46	69	305	45	145	4 x 16	6.0 kg
<b>3"</b>	<b>J4C-S55</b>	<b>46</b>	<b>90</b>	<b>346</b>	<b>65</b>	<b>160</b>	<b>8 x 16</b>	<b>7.8 kg</b>
4"	J4C-S85	52	106	366	90	180	8 x 16	9.7 kg
5"	J4C-S140	56	119	434	110	210	8 x 16	14.8 kg
6"	J4C-S140	56	131	454	146	240	8 x 20	16.0 kg
8"	J4C-S300	60	166	484	194	295	12 x 20	26.3 kg

## J+J ELECTRIC ACTUATED

## LUGGED BUTTERFLY VALVE



**TABLE 3: DIMENSIONS IN MM**  
**4" BUTTERFLY VALVE ▪ J4C S85 ACTUATOR**

Size	Actuator	A	B	E	ØY	ØF	n°. x M	Weight
1½"	J4C-S20	33	63	285	27	110	4 x 16	4.1 kg
2"	J4C-S20	43	62	295	31	125	4 x 16	5.0 kg
2½"	J4C-S35	46	69	305	45	145	4 x 16	6.0 kg
3"	J4C-S55	46	90	346	65	160	8 x 16	7.8 kg
<b>4"</b>	<b>J4C-S85</b>	<b>52</b>	<b>106</b>	<b>366</b>	<b>90</b>	<b>180</b>	<b>8 x 16</b>	<b>9.7 kg</b>
5"	J4C-S140	56	119	434	110	210	8 x 16	14.8 kg
6"	J4C-S140	56	131	454	146	240	8 x 20	16.0 kg
8"	J4C-S300	60	166	484	194	295	12 x 20	26.3 kg

## J+J ELECTRIC ACTUATED

## LUGGED BUTTERFLY VALVE

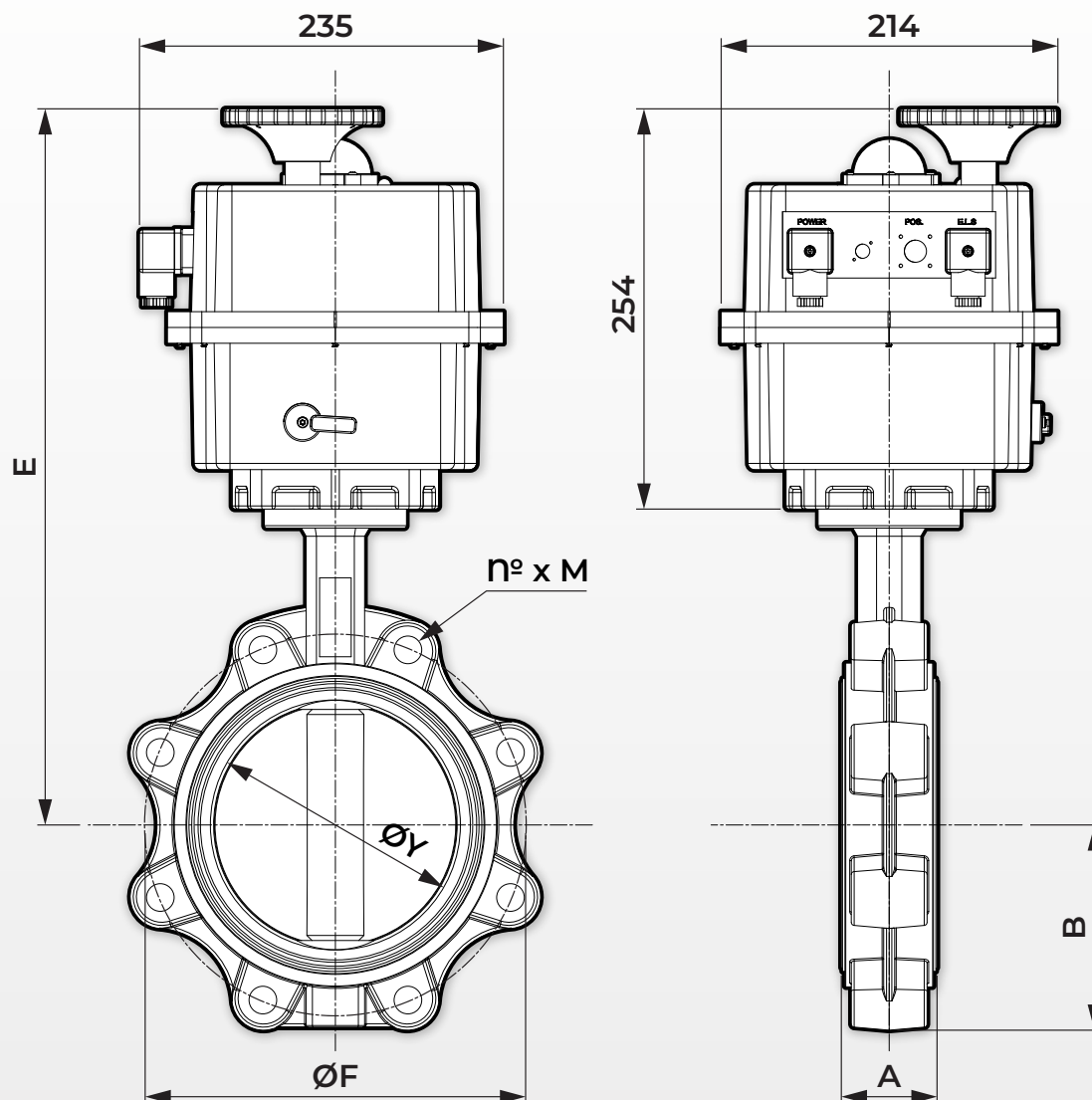


TABLE 4: DIMENSIONS IN MM

## 5" TO 8" BUTTERFLY VALVES ▪ J4C S140 AND J4C S300 ACTUATORS

Size	Actuator	A	B	E	ØY	ØF	n°. x M	Weight
1½"	J4C-S20	33	63	285	27	110	4 x 16	4.1 kg
2"	J4C-S20	43	62	295	31	125	4 x 16	5.0 kg
2½"	J4C-S35	46	69	305	45	145	4 x 16	6.0 kg
3"	J4C-S55	46	90	346	65	160	8 x 16	7.8 kg
4"	J4C-S85	52	106	366	90	180	8 x 16	9.7 kg
5"	J4C-S140	56	119	434	110	210	8 x 16	14.8 kg
6"	J4C-S140	56	131	454	146	240	8 x 20	16.0 kg
8"	J4C-S300	60	166	484	194	295	12 x 20	26.3 kg

## J+J ELECTRIC ACTUATED

## LUGGED BUTTERFLY VALVE

TABLE 5: PART NUMBERS  
ACTUATED VALVES

Size	With On/Off Actuator	With Battery Backup Actuator
1½"	EA5573-100101	EA5573-100109
2"	EA5573-100102	EA5573-100110
2½"	EA5573-100103	EA5573-100111
3"	EA5573-100104	EA5573-100112
4"	EA5573-100105	EA5573-100113
5"	EA5573-100106	EA5573-100114
6"	EA5573-100107	EA5573-100115
8"	EA5573-100108	EA5573-100116

TABLE 6: PART NUMBERS  
COMPONENT PARTS

Size	Butterfly Valve	On/Off Actuator	Battery Backup Actuator
1½"	BF4687-101520	AP9019-999310	AP9019-999311
2"	BF4687-101521	AP9019-999310	AP9019-999311
2½"	BF4687-101522	AP9020-999314	AP9020-999315
3"	BF4687-101523	AP9021-999318	AP9021-999319
4"	BF4687-101524	AP9022-999322	AP9022-999323
5"	BF4687-101525	AP9023-999326	AP9023-999327
6"	BF4687-101526	AP9023-999326	AP9023-999327
8"	BF4687-101527	AP9024-999334	AP9024-999335