



Lever Operated Uni-Directional Knife Gate Valve in Cast iron

- Size Range DN50 – DN200
- Offers Excellent Economy
- Fits between PN10 flanges
- EPDM Seat with NBR Options
- Low pressure loss
- Cast Iron Body with 304 St St Gate
- Easy Lever Operator

DESCRIPTION

An Economic, tough and reliable, Uni-Directional cast iron, powder coated knife gate valve. Supplied complete with quick operating Lever and suitable to fit between PN10 flanges up to 8" (DN50 – DN200). EPDM seal with options for NBR seals and 304 stainless steel gate. This valve is ideally suited for general industrial service applications.

The design of the body and seat assures non clogging shut off on suspended solids in industries such as: Pulp and Paper, Wastewater treatment plants, Food, Biogas and Beverage, Bulk handling, Mining and HVAC
Temperature good for - 10°C to 120°C

Typical applications

include:

water treatment, cement industry, bulk handling and food industries.

Optional extras:

- Limit Switches (double Roller) fitted
- Position Detectors (inductive sensor)
- Can be actuated
- Quick Opening Lever option



Description

A lever operated uni-directional knife gate valve that's suitable for quicker opening/closing. This inexpensive tough and reliable knife gate valve is offered in sizes ranging from DN50-DN200. Stainless steel gate with EPDM seat, cast iron epoxy coated body.



Beschreibung

Ein hebelbetätigter unidirektionaler Messerschieber, der zum schnelleren Öffnen / Schließen geeignet ist. Dieses kostengünstige robuste und zuverlässige Messerschieberventil wird in Größen von DN50 bis DN200 angeboten. Edelstahltor mit EPDM-Sitz, Gehäuse aus Epoxidbeschichtung aus Gusseisen.



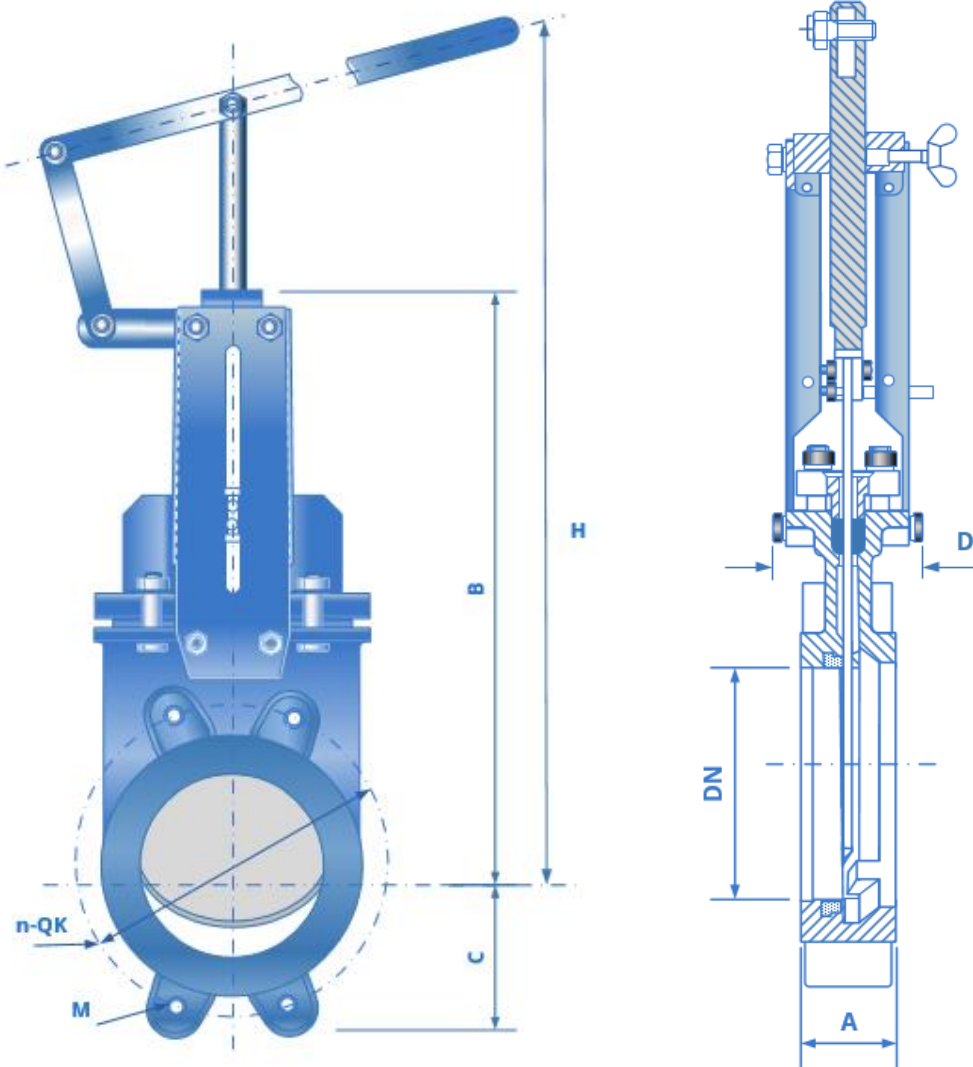
Descripción

Una válvula de guillotina unidireccional operada por palanca que es adecuada para una apertura / cierre más rápido. Esta válvula de guillotina económica, resistente y confiable se ofrece en tamaños que van desde DN50-DN200. Puerta de acero inoxidable con asiento de EPDM, cuerpo de hierro fundido recubierto de epoxy.



Description

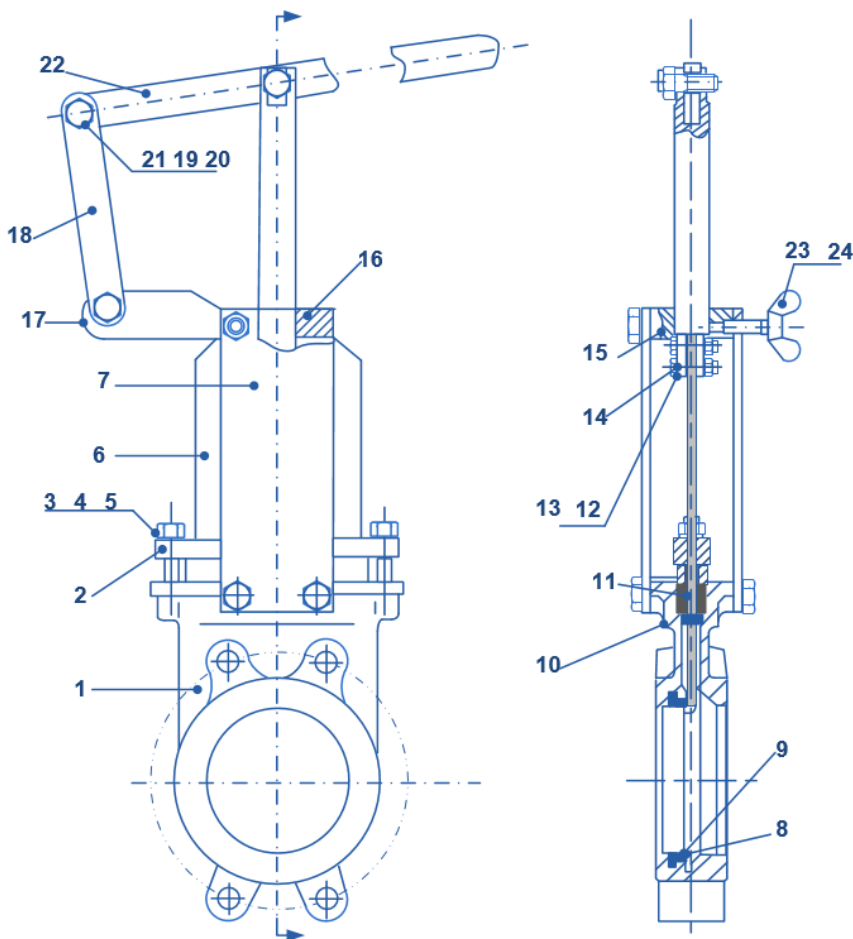
Une vanne à guillotine unidirectionnelle à levier qui convient à une ouverture / fermeture plus rapide. Cette vanne à guillotine robuste et fiable est proposée dans des tailles allant de DN50 à DN200. Portail en acier inoxydable avec siège en EPDM, corps en fonte époxy.



Dimensions and Weights

Size DN	A	B	C	D	H	n	M	KG CAST IRON
50	40	TBC	TBC	TBC	TBC	TBC	TBC	7
65	40	TBC	TBC	TBC	TBC	TBC	TBC	7.5
80	50	284	92	87	513	200	M16	8.5
100	50	331	105	87	672	200	M16	10
125	50	361	120	98	760	250	M16	12
150	60	413	130	98	828	250	M20	14.5
200	60	520	160	123	1064	300	M20	32

All information is sourced from our manufacturer's data and is intended for guidance only - ValvesOnline can accept no liability for changes, omissions or errors.



Material Specifications

Item	Description	Material
1	Body	GGG40 Cast Iron
2	Valve Cap	GG25 Cast Iron
3	Nut	Steel
4	Washer	Steel
5	Stud A Bolt	Steel
6	Gate	304 Stainless Steel
7	Plate Stay	Steel
8	L Sealing	EPDM
9	Sealing	304 Stainless Steel
10	Seat	PTFE
11	O Sealing Ring	NBR
12	Bolt	304 Stainless Steel
13	Nut	304 Stainless Steel
14	Stem	304 Stainless Steel
15	Connect seat	Steel
16	Oil Bearing	Composite Material
17	Hand lever 1	Steel
18	Hand lever 2	Steel
19	Hinge Pin	304 Stainless Steel
20	Oil Bearing	Composite Material
21	Lock Nut	304 Stainless Steel
22	Hand Lever 2	Steel
23	Fastening Bolt	304 Stainless Steel
24	Lock Stick	Aluminium

Pressure / Temperature

Pressure	PN10 2" - 8"
Temp.	-10°C/+120°C

Other Options

Pneumatic Actuated
Bi-Directional
Stainless Steel Body