



Description

A stainless steel full bore, 2 piece ball valve, screwed either BSP or NPT. The valve is suitable for a wide range of industrial and process applications offering high quality coupled with reliability and extended life span. The valve is fitted to our HQ range of electric rotary actuators in on/off or modulating versions. Alloy gearing, high quality electrical components, manual override, position indicators (both optical and electrical) and various control voltages ensure a proven and cost effective unit.

2 Piece Electric Actuated Stainless Steel Ball Valve

- 2 Piece St St Ball Valve
- BSP & NPT End Connections
- Powerful Actuator with Various Voltages
- Offers Full Flow
- Reliability and Economy



Description

A 2 piece direct mount ball valve, screwed in BSP with the option of NPT threads, seats virgin PTFE and full bore. The valve has a mounting pad designed for easy actuation and is an ideal economic solution to on-off process applications. The actuator is a high performance electric actuator, supplied in various voltages.



Beschreibung

A 2 Stück Direktmontage Kugelhahn, in BSP mit der Option, NPT-Gewinde aufgeschraubt und die Sitze reinem PTFE und vollem Durchgang. Das Ventil verfügt über eine Montagefläche für die einfache Betätigung ausgelegt und ist eine ideale Lösung für wirtschaftlichen Ein-Aus-Prozessanwendungen. Der Antrieb ist ein Hochleistungs-Elektroantrieb, bei verschiedenen Spannungen versorgt.



Description

Una válvula de bola de montaje directo de 2 piezas, atornillado en BSP con la opción de roscas NPT, asientos de PTFE virgen y paso total. La válvula tiene una almohadilla de montaje diseñado para una fácil accionamiento y es una solución económica ideal para aplicaciones de proceso de encendido y apagado. El actuador es un actuador eléctrico de alto rendimiento, suministrado en diversos voltajes.



Description

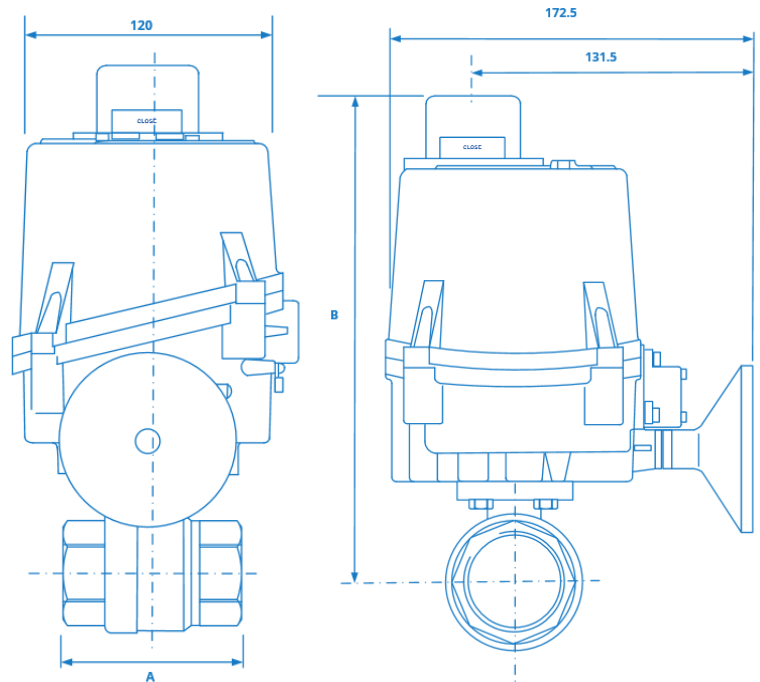
A 2 pièce vanne à bille à montage direct, vissé BSP avec l'option du NPT, sièges PTFE vierge et plein alésage. La soupape comporte un support de montage conçu pour un actionnement facile et économique est une solution idéale pour des applications de processus on-off. L'actionneur est un actionneur électrique de haute performance, fourni en différentes tensions.

HQ005 Model

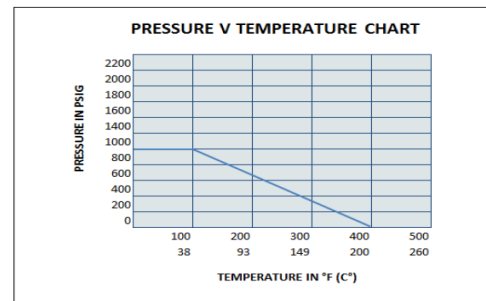
HQ005 standard actuator fitted to our full bore 1000 psi rated stainless steel ball valve offers On/Off control (power to open and power to close) for automatic isolation. Wiring diagrams are in the lid of the actuator and online. This actuator fits neatly onto the two piece valve and offers a perfect match, giving economy, performance and long life.

Features

- Multi voltage design (Single phase & 24V)
- High corrosion resistance, anodized & painted housing
- 4 off Limit switches
- Torque output: 50 Nm
- low current, long-life actuator due to unique brushless DC motor ensuring high reliability
- 2 off M20 cable entries
- IP67 weatherproof enclosure
- F03/F04/F05/FO7 mounting base with 14mm Star drive
- Captive cover bolts
- Visual beacon indicator & LED lamps
- 70% Duty Rating (on/off only)
- Declutchable manual override handwheel
- Electronic torque limiter



Size	Electric Actuator	A	B	W (kg)
1/4"	HQ005	56.5	219	3.3
3/8"	HQ005	56.5	219	3.3
1/2"	HQ005	59	219	3.3
3/4"	HQ005	71.5	222	3.5
1"	HQ005	79.5	230	4.3
1.1/4"	HQ005	92	235.5	4.9
1.1/2"	HQ005	104.5	245.5	6.3
2"	HQ005	123.5	254	8.6



Pressure / Temperature Ratings

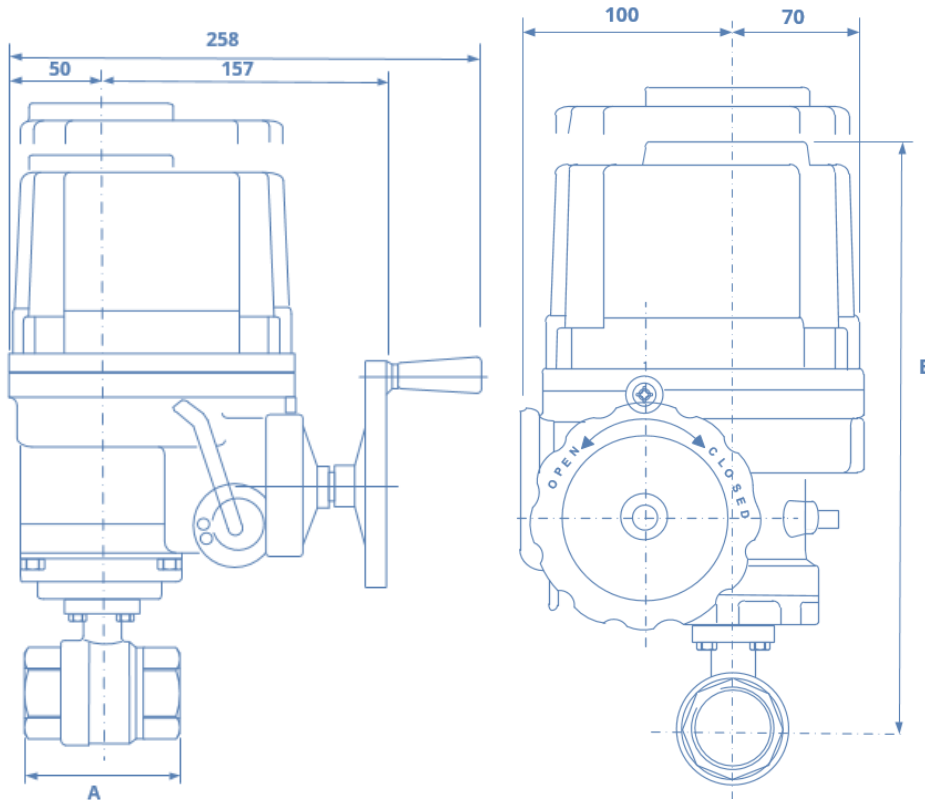
Max Pressure to 2"	1000 PSI / PN63
Temperature	-20°C to 200°C

Standard Actuator Specification

Enclosure	: Weatherproof IP67
Power Supply	: 85 - 265 VAC 1 ph, 50/60Hz / 24 VAC/DC
Operating Time	: 90° - 13 seconds
Limit Switches	: 4 x SPDT, 250V AC 10A (2 std. & 2 additional)
Space Heater	: 2W Anti Condensation
Manual Override	: Handwheel Declutchable
Duty Cycle (on/offduty)	: S4, 70% (average load of 80% for Max. torque) : S2, 50% (average load of 80% for Max. torque)
Travel Angle	: 330°
Conduit Entries	: 2 x M20
Ambient Temperature	: -20°C to + 80°C
External Coating	: Dry Powder, Polyester

PERFORMANCE

MODEL	HQ005
TORQUE(Nm)	50
SPEED 90° 50/60Hz	13
CURRENT 110/1/50	0.1A
(A) 220/1/50	0.05A
24 VAC/DC	0.8 A
WEIGHT	2.6
MAX.SQ.DRIVE	14
ISO 5211 mtg. base	F03, F04, F05, F07



HQ008 Model

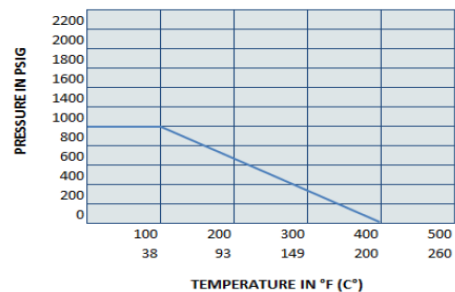
Standard Electric Dimensions

Valve	Actuator	A	B	W (kg)
2 1/2"	HQ008	166	328.5	17.83
3"	HQ008	185	339	21
4"	HQ008	219	367	24

Actuator Specification for HQ008/HQ0020

Enclosure	Waterproof IP67
Power Supply	110/220V 1PH, 24 VAC/VDC, 380/440 AC 3PH
Operating Time	see chart
Limit Switches	4 x SPDT, 250V AC 10A
Space Heater	210W (110/240V AC) Anti Condensation Heater
Manual Override	Handwheel
Duty Cycle	S4, 70% standad, 100% for Max 30 mins
Travel Angle	90°
Conduit Entries	2 x M25 (PG13.5 or 1/2" NPT Option)
Ambient Temperature	minus 20° C to + 70° C
External Coating	Dry Powder, Polyester

PRESSURE V TEMPERATURE CHART



Pressure / Temperature Ratings

Max Pressure to 2 1/2" to 4"	800 PSI / PN55
Temperature	-20°C to 200°C

Actuator Specification

Type (model)	Max Output Torque	Operating Time 50/60Hz	MOTOR Class E/E	Rated Current (A)				Weight W (kg)
				24VAC	110VAC	220 VAC	24 VDC	
HQ008	80NM	16/13 Secs	103/103	2.6	1.1	0.55	2.6	7.4

FOR ALL ELECTRICAL WIRING DIAGRAMS AND SPECIFICATIONS PLEASE SEE DATA SHEET