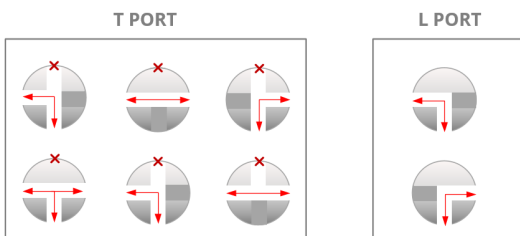




Description

An economic, compact and lightweight Electric Actuator fitted to a 3 way L or T Port reduced bore Brass Ball valve, suitable for standard process applications. The HQ Electric actuators are specially designed for quarter turn applications. The Brass ball valves are nickel plated with PTFE seat. The valves are screwed BSP parallel female ends. The valve and actuator fit directly onto each other so no mounting kit is required, thus making the package more compact and cost effective. Various control options and a wide range of voltages to suit your specific requirements. High Quality electrical components and alloy gearing ensure reliability and extended life span.



FLOW PATHS

Economy 3 Way Electric Actuated Brass Ball Valve

- L or T Port
- ½" up to 2"
- Screwed BSPP
- Reduced Bore
- Optical Indicator
- Limit Switches
- Manual Override



Description

The combination of a Brass 3 way ball valve and powerful electric actuator ensures reliability and strength. Supplied in L or T port pattern and threaded in BSP. Seats reinforced PTFE.

Valves PN40 rated and up to 100° C

The actuator has manual override, limit switches and optical indicator.



Beschreibung

Die Kombination aus einem Messing 3-Wege- Kugelhahn und leistungsfähige elektrische Stellantrieb sorgt für Zuverlässigkeit und Stärke. Lieferung in L oder T -Anschluss -Muster und in BSP . Seats verstärkte PTFE .

Ventile PN40 bewertet und bis zu 100 ° C Der Antrieb verfügt über Handbetätigung , Endschalter und optische Anzeige .



Descripción

La combinación de una válvula de bola de 3 vías de latón y potente actuador eléctrico garantiza la fiabilidad y la fuerza. Se suministra en L o patrón puerto T y roscado en BSP . Los asientos reforzados PTFE .

Válvulas PN40 clasificación y hasta 100 ° C El actuador tiene control manual , finales de carrera y el indicador óptico .



Description

La combinaison d'un laiton vanne 3 voies de la balle et puissant actionneur électrique assure la fiabilité et la force . Livré en L ou un motif de port T et fileté BSP . Sièges PTFE renforcés .

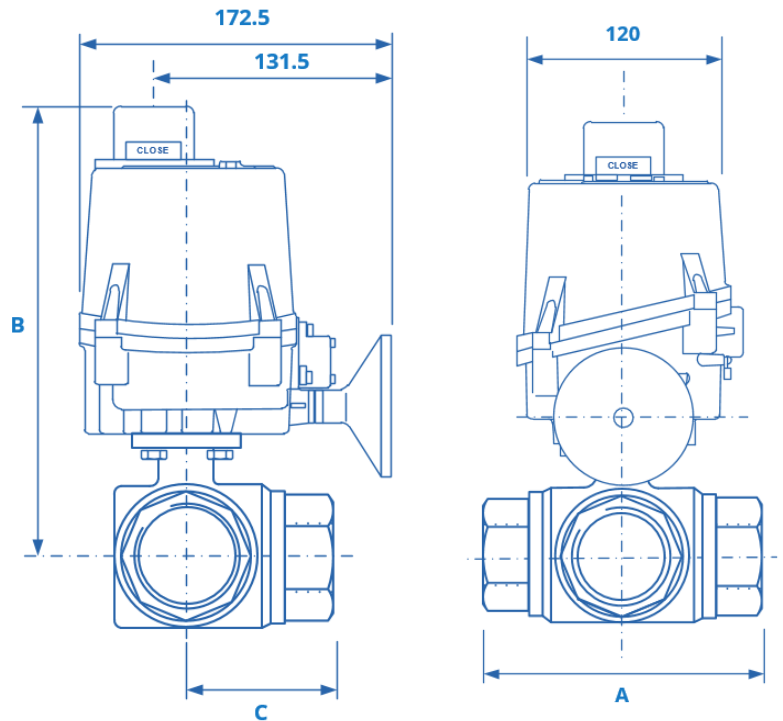
Vannes PN40 vu attribuer jusqu'à 100 ° C L'actionneur a commande manuelle , fin de course et l'indicateur optique .

HQ005 Model

HQ005 standard actuator fitted to our full bore 1000 psi rated stainless steel ball valve offers On/Off control (power to open & power to close) for automatic isolation. Wiring diagrams are in lid of the actuator and online. This actuator fits neatly onto the three piece valve and offers a perfect match, giving economy, performance and long life.

Features

- Multi voltage design (Single phase & 24V)
- High corrosion resistance, anodized & painted housing
- 4 off Limit switches
- Torque output: 50 Nm
- low current, long-life actuator due to unique brushless DC motor ensuring high reliability
- 2 off M20 cable entries
- IP67 weatherproof enclosure
- F03/F04/F05/FO7 mounting base with 14mm Star drive
- Captive cover bolts
- Visual beacon indicator & LED lamps
- 70% Duty Rating (on/off only)
- Declutchable manual override handwheel
- Electronic torque limiter



Size	Electric Actuator	A	B	C	W (kg)
1/4"	HQ005	75	232.5	38	3.3
3/8"	HQ005	75	232.5	38	3.3
1/2"	HQ005	75	232.5	38	3.3
3/4"	HQ005	86	235.5	43	3.5
1"	HQ005	100	245	50	4.3
1.1/4"	HQ005	118	249	59	4.9
1.1/2"	HQ005	126	355	63	6.3
2"	HQ005	150	262	75	8.6

Standard Actuator Specification

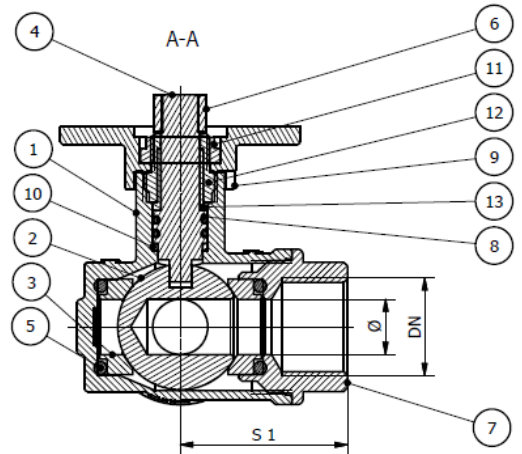
Enclosure	: Weatherproof IP67
Power Supply	: 85 - 265 VAC 1 ph, 50/60Hz / 24 VAC/DC
Operating Time	: 90° - 13 seconds
Limit Switches	: 4 x SPDT, 250V AC 10A (2 std. & 2 additional)
Space Heater	: 2W Anti Condensation
Manual Override	: Handwheel Declutchable
Duty Cycle (on/offduty)	: S4, 70% (average load of 80% for Max. torque) : S2, 50% (average load of 80% for Max. torque)
Travel Angle	: 330°
Conduit Entries	: 2 x M20
Ambient Temperature	: -20°C to + 80°C
External Coating	: Dry Powder, Polyester

PERFORMANCE

MODEL	HQ005
TORQUE(Nm)	50
SPEED 90° 50/60Hz	13
CURRENT 110/1/50	0.1A
(A) 220/1/50	0.05A
24 VAC/DC	0.8 A
WEIGHT	2.6
MAX.SQ.DRIVE	14
ISO 5211 mtg. base	F03, F04, F05, F07

Material List

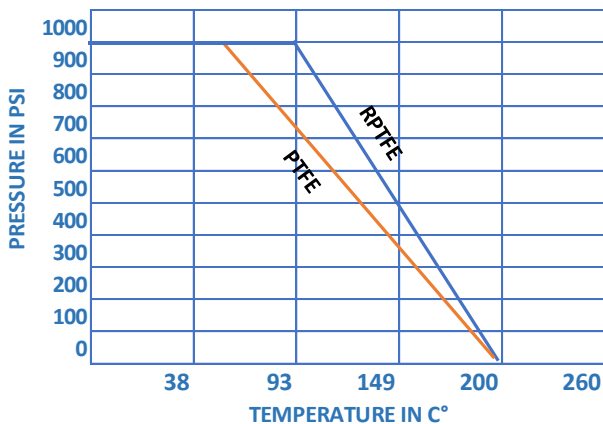
Body	EN12420-CW617N-Nickled
Ball	EN12420-CW617N-Chromium Plated
Seat	PTFE F391
Pushrod	EN12164-CW614N
O-Ring	NBR
Square	EN12164-CW614N
Sleeve	EN12420-CW617N-Nickled
O-Ring	NBR
Motor Plate Disc	EN12420-CW617N-Nickled
Anti-Scuff Ring	PTFE F391
nut	EN12164-CW614N
Nut	EN12164-CW614N
Anti-Scuff Ring	PTFE F391



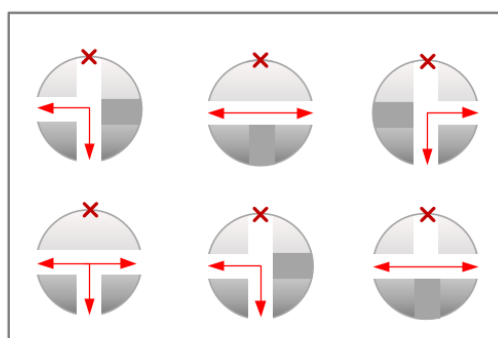
Pressure / Temperature Ratings

Max Pressure	40 Bar
Temperature	-10°C to 100°C

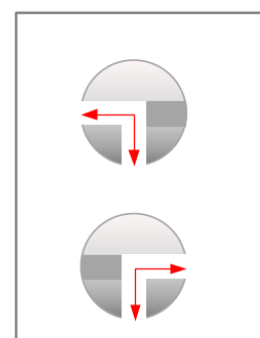
PRESSURE V TEMPERATURE CHART



T PORT



L PORT



FLOW PATHS