

EE5245

Valves
ONLINE



Economy Electric Actuated Flanged PN16/40 Ball Valve

- Fully Maintainable Valve
- PN16/40 1/2" - 2"
- PN16 2 1/2" - 4"
- Various Voltages
- Full Bore
- Limit Switches Included
- Offers Reliability with Economy
- Power to Open and Close

Description

The VOLT EE5245 is a full bore PN16/40 ball valve. When combined with our Electric Actuator, it offers a single reliable source that meets all your actuation requirements. The Valve is a 2 piece split body design with Full Ports in CF8m stainless steel and flanged PN16/40 (see flange ratings). It has 15% RPTFE seats and PTFE/Viton stem seals. The Electric actuator (compact up to 2") (Standard industrial 2 1/2" and above) offers power open and power closed operation. Sized with 30% extra added safety factor, this unit fits directly onto the valve, giving you an exceptional combination. The actuator offers feedback switches, anti-condensation heaters, manual override and position indicator as standard. Some valves require Mounting Kits.

Valve is ATEX Approved.



Description

Our Economy, Direct mount ISO 5211 stainless steel full bore ball valve, flanged PN16/40 and RPTFE seats, PTFE / Viton stem seals, fitted onto our HQ Electric Rotary Actuator. Sizes range from 1/2" - 4". All actuators are designed to the latest specifications, are IP65 Protected and have Limit switch box, anti condensation heater, optical indicator and manual override.

Temperature Range -20°C to 200°C.



Beschreibung

Unser Economy, Direktmontage-Kugelhahn aus Edelstahl ISO 5211 mit Vollbohrung, angeflanschten PN16 / 40- und RPTFE-Sitzen, PTFE / Viton-Spindeldichtungen, montiert auf unserem elektrischen HQ-Drehantrieb. Größen reichen von 1/2" - 4". Alle Stellantriebe entsprechen den neuesten Spezifikationen, sind IP65-geschützt und verfügen über eine Endschalterbox, eine Antikondensationsheizung, eine optische Anzeige und eine manuelle Übersteuerung. Temperaturbereich -20°C bis 200°C.



Descripción

Nuestra válvula de bola de paso total de acero inoxidable ISO 5211 de montaje directo, económica, asientos bridados PN16 / 40 y RPTFE, sellos de vástago de PTFE / Viton, instalados en nuestro actuador giratorio eléctrico HQ. Los tamaños varían de 1/2" a 4". Todos los actuadores están diseñados con las últimas especificaciones, tienen protección IP65 y tienen en caja de interruptor de límite, calentador anti condensación, indicador óptico y anulación manual. Rango de temperatura -20°C a 200°C.



Description

Notre robinet à tournant sphérique à passage intégral en acier inoxydable ISO 5211 à montage direct économique, sièges PN16 / 40 et RPTFE à brides, joints de tige en PTFE / Viton, montés sur notre actionneur rotatif électrique HQ. Les tailles varient de 1/2" à 4". Tous les actionneurs sont conçus selon les dernières spécifications, sont protégés IP65 et ont un boîtier d'interrupteur de fin de course, un chauffage anti-condensation, un indicateur optique et une commande manuelle. Plage de température de -20 ° C à 200 ° C.

All information is sourced from our manufacturer's data and is intended for guidance only - Valves Online can accept no liability for changes, omissions or errors.

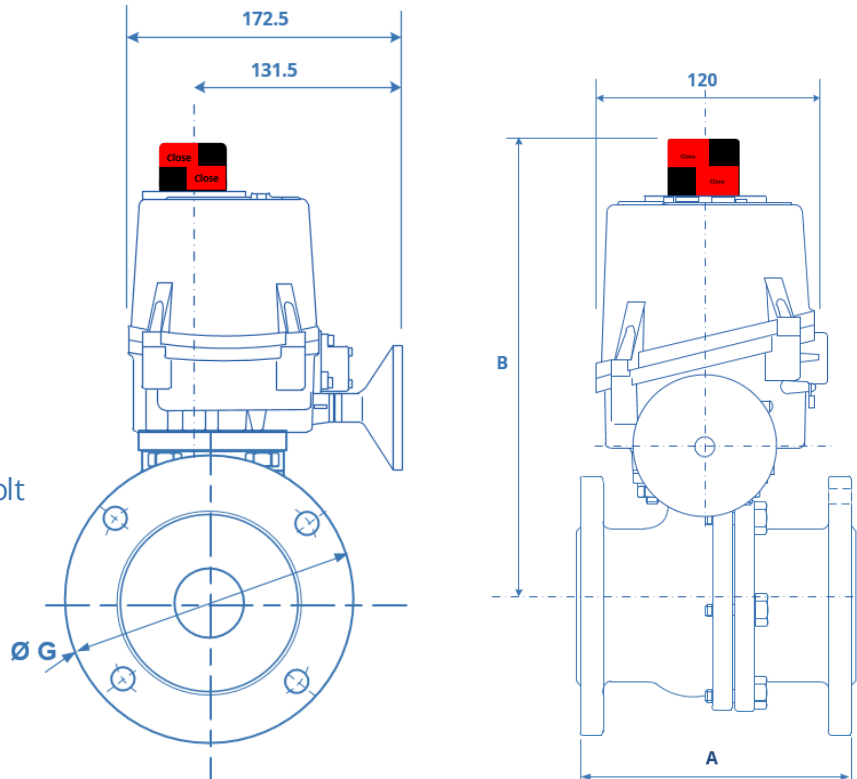
PN16 Stainless Steel 1/2" - 2"

Valve fitted onto HQ005 Electric Actuator. Direct mount.

Information at a glance

Ball Valve full bore
Seat Material: RPTFE
Body CF8M Flanged PN16 raised face
Temperature - 25°C to 200°C
Raised face and needs gasket

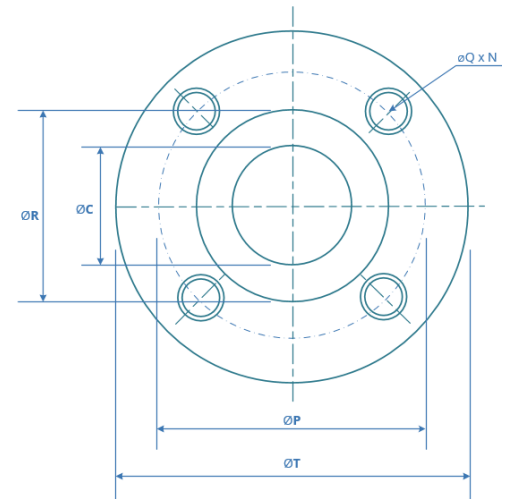
Actuator Voltage 24 AC/DC 110 & 240Volt
Limit switches fitted
De clutchable Manual Handwheel
Optical Position Indicator
Anti Condensation Heater Fitted



Dimensions

Flanged Stainless Steel PN16-Electric Actuator

VALVE	Electric Full Bore	Full Bore A	B	G	Weight Kg
1/2"	HQ005	115	253.9	95	5.51
3/4"	HQ005	120	258.9	105	5.98
1"	HQ005	125	264.4	115	6.33
1 1/4"	HQ005	130	276.9	140	7.55
1 1/2"	HQ005	140	282.4	150	8.7
2"	HQ005	150	290.9	165	11.5
2 1/2"	HQ008				
3"	HQ015				
4"	HQ015				



Flange Dimensions

PN16- Flanged Ball Valve

VALVE	Electric Full Bore	C	R	T	P	NO. HOLES	HOLE ØQ
1/2"	HQ005	15	45	95	65	4	14
3/4"	HQ005	20	58	105	75	4	14
1"	HQ005	25	68	115	85	4	14
1 1/4"	HQ005	32	78	140	100	4	18
1 1/2"	HQ008	40	88	150	110	4	18
2"	HQ008	50	102	165	125	4	18

All information is sourced from our manufacturer's data and is intended for guidance only - Valves Online can accept no liability for changes, omissions or errors.

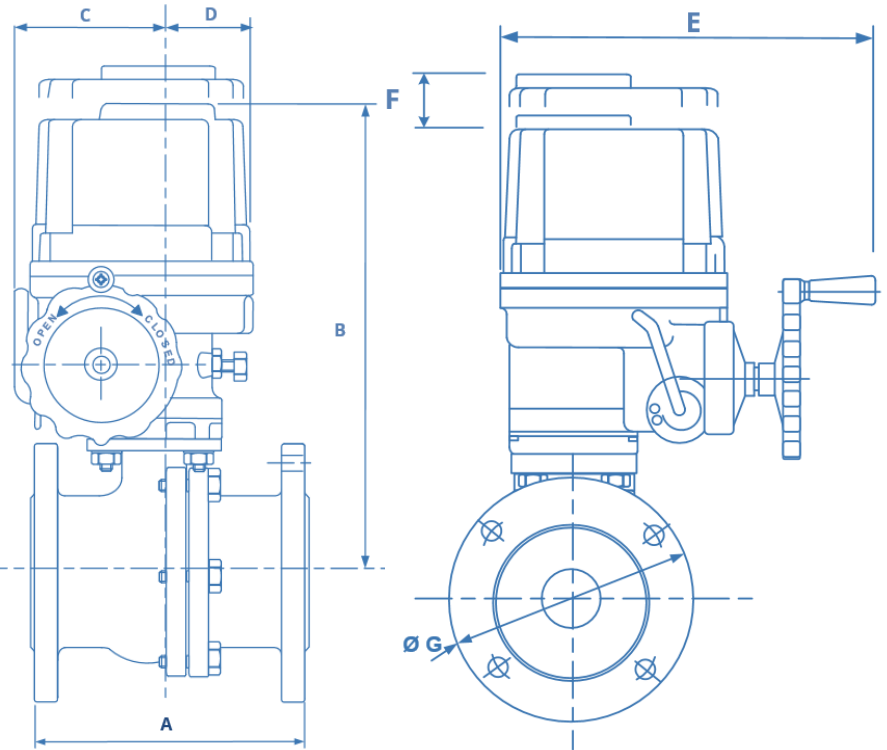
PN16 Stainless Steel 2½" - 4"

Valve fitted onto HQ008-HQ015
Electric Actuators.

Information at a glance

Ball Valve full bore
Seat Material: RPTFE
Body CF8M Flanged PN16 raised face
Temperature - 25°C to 200°C
Raised face and needs gasket

Actuator Voltage 24 AC/DC 110 & 240Volt
Limit switches fitted
De clutchable Manual Handwheel
Optical Position Indicator
Anti Condensation Heater Fitted



Dimensions

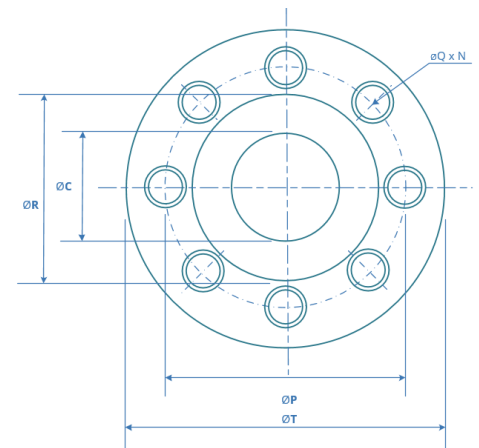
Flanged Stainless Steel PN16-Electric Actuator

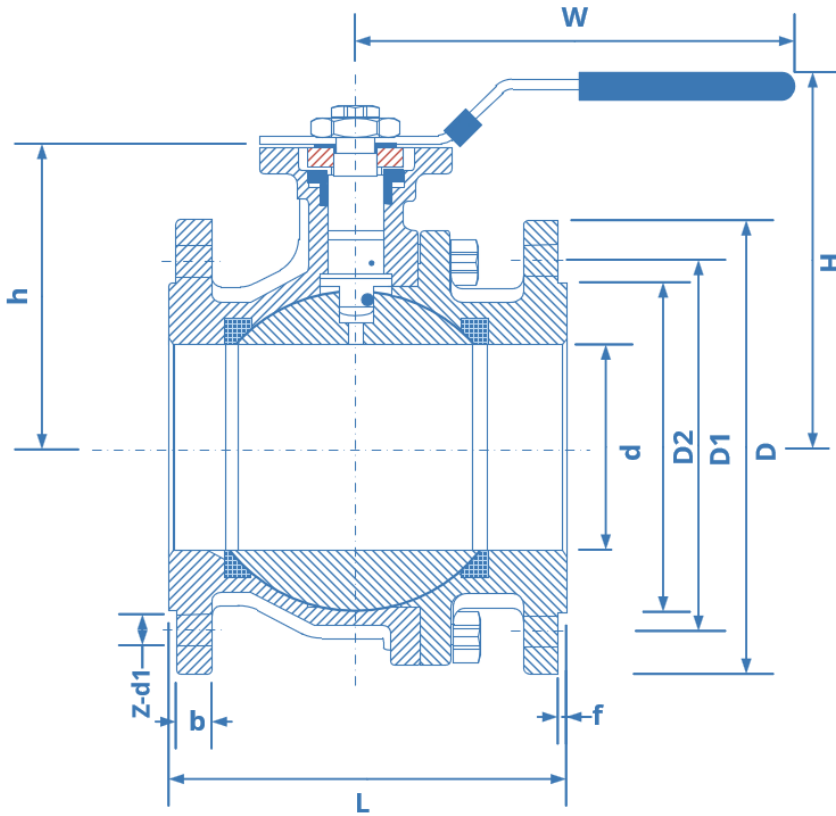
VALVE	Electric Full Bore	A	B	C	D	E	F	G	GPM	Weight Kg
2½"	HQ008	170	351	100	70	258	120	185	800	22.07
3"	HQ015	180	400.5	142	87	338	160	200	1250	36.18
4"	HQ015	190	425	142	87	338	160	220	2250	43.85

Flange Dimensions

PN16-Flanged Ball Valve

VALVE	Electric Full Bore	C	R	T	P	NO. HOLES	HOLE ØQ
2½"	HQ008	65	122	185	145	4	18
3"	HQ015	80	138	200	160	8	18
4"	HQ015	100	158	220	180	8	18





Dimensions

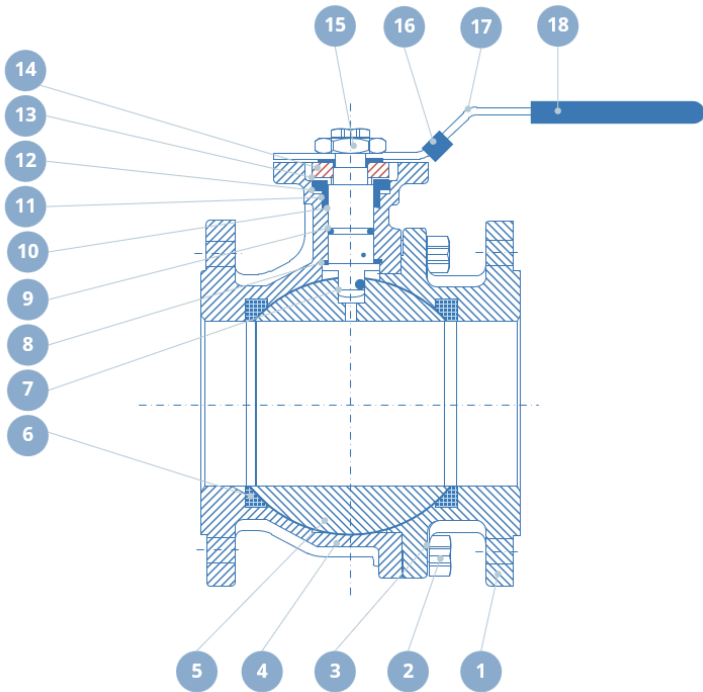
DN	1/2"	3/4"	1"	1 1/4"	1 1/2"	2"	2 1/2"	3"	4"
d	15	20	25	32	40	50	65	80	100
L	115	120	125	130	140	150	170	180	190
D	95	105	115	140	150	165	185	200	220
D1	65	75	85	100	110	125	145	160	180
D2	45	58	68	78	88	102	122	138	158
b	16	18	18	18	18	20	18	20	20
f	2	2	2	2	3	3	3	3	3
H	82	87	90	100	105	125	142	155	168
W	120	120	160	160	200	200	255	255	300
h	48	53	58.5	71	76.5	85	100	112.5	125.5
Z-d1	4xØ14	4xØ14	4xØ14	4xØ18	4xØ18	4xØ18	4xØ18	8xØ18	8xØ18
N/m	5	8	10	14	20	30	48	75	110
Kg	2.91	3.38	3.73	4.95	6.1	8.9	12.8	18.9	26.6

Torque figures are raw and safety must be added
Dimensions given are for guidance only.

Valve Temp/Pressure

Max Pressure	1/2"-2" 40 Bar, 2 1/2"-4" 16 Bar
Max Temperature	-25°C to + 200°C

All information is sourced from our manufacturer's data and is intended for guidance only - Valves Online can accept no liability for changes, omissions or errors.



1/2" - 2"



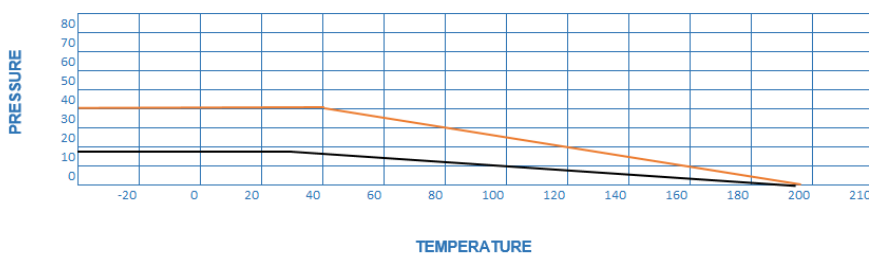
2 1/2" - 4"



Valve Details

	Name	Material
1	Cap	CF8M
2	Bolt	Stainless Steel 304
3	Body Gasket	PTFE
4	Body	CF8M
5	Ball	Stainless Steel 316
6	Ball Seat	R-PTFE (15% Filled)
7	Stem	Stainless Steel 316
8	Thrust Washer	PTFE
9	O-Ring	Viton
#	Stem Packing	PTFE
#	Packing Ring	Stainless Steel 304
#	Belleville Washer	Stainless Steel 304
#	Nut Stopper	Stainless Steel 304
#	Plate washer	Stainless Steel 304
#	Nut	Stainless Steel 304
#	Locking Device	Stainless Steel 304
#	Handle	Stainless Steel 304
#	Plastic Cover	Plastic
#	Stop Pin	Stainless Steel 304

PRESSURE / TEMPERATURE CHART
1/2" - 4"



All information is sourced from our manufacturer's data and is intended for guidance only - Valves Online can accept no liability for changes, omissions or errors.

HQ005 - ELECTRIC ACTUATOR DETAILS

Features

- Multi voltage design (Single phase & 24V)
- High corrosion resistance, anodized & painted housing
- 4 off Limit switches
- Torque output: 50 Nm
- low current, long-life actuator due to unique brushless DC motor ensuring high reliability
- 2 off M20 cable entries
- IP67 weatherproof enclosure
- F03/F04/F05/F07 mounting base with 14mm Star drive
- Captive cover bolts
- Visual beacon indicator & LED lamps
- 70% Duty Rating (on/off only)
- Declutchable manual override handwheel
- Electronic torque limiter

OPTION SPECIFICATION

PIU	:	Potentiometer Unit (1K – 10K)
PCU	:	Proportional Control Unit (In/Out: 0-10VDC, 4-20mA)
CPT	:	Current Position Transmitter (Output 4-20mA)
TS	:	Torque overload indicator module (single & redundancy)

Standard Actuator Specification

Enclosure	:	Weatherproof IP67
Power Supply	:	85 - 265 VAC 1 ph, 50/60Hz / 24 VAC/DC
Operating Time	:	90° - 30 seconds
Limit Switches	:	4 x SPDT, 250V AC 10A (2 std. & 2 additional)
Space Heater	:	2W Anti Condensation
Manual Override	:	Handwheel Declutchable
Duty Cycle (on/offduty)	:	S4, 70% (avarage load of 80% for Max. torque) S2, 50% (avarage load of 80% for Max. torque)
Travel Angle	:	330°
Conduit Entries	:	2 x M20
Ambient Temperature	:	-20 °C to + 80 °C
External Coating	:	Dry Powder, Polyester

PERFORMANCE

MODEL	HQ005
TORQUE(Nm)	50
SPEED 90° 50/60Hz	13
CURRENT 110/1/50	0.1A
(A) 220/1/50	0.05A
24 VAC/DC	0.8 A
WEIGHT	2.6
MAX.SQ.DRIVE	14
ISO 5211 mtg. base	F03, F04, F05, F07

**FOR MORE HQ005
ACTUATOR DETAILS SEE
SKU: AP9011
Wiring Diagrams
Dimensional Data
Operating Manual**



HQ008 – HQ120 ELECTRIC ACTUATOR DETAILS

FEATURES

- IP67 Weatherproof
- Temperature Range – 20° C – 70° C
- Mechanical limit stops
- Four limit switches
- Manual override
- Anti-condensation heater (Thermostatically Controlled)



OPTION SPECIFICATION

PIU	:	Potentiometer Unit (1K – 10K)
PCU	:	Proportional Control Unit (In/Out: 0-10VDC, 4-20mA)
CPT	:	Current Position Transmitter (Output 4-20mA)
LCU	:	Local Control Unit (Remote/Open/Stop/Close Switch)
EXA	:	Explosion Proof Enclosure. ATEX II 2G Eexd IIB T4
FPA	:	Fire Proof Actuator. 250°C/150 min

Standard Actuator Specification

Enclosure	:	Weatherproof IP67
Power Supply	:	110/220V 1PH, 24VAC/24VDC 380/440V AC 3PH
Operating Time	:	see chart
Limit Switches	:	4 x SPDT, 250V AC 10A
Space Heater	:	10W (110/240V AC) Anti Condensation
Manual Override	:	Handwheel Declutchable
Duty Cycle (on/offdu)	:	S4, 70% standard, 100% for Max 30 Mins
Travel Angle	:	90°
Conduit Entries	:	2 x M25 (PG13.5 or 1/2"NPT Option)
Ambient Temperat	:	-20 °C to + 70 °C
External Coating	:	Dry Powder, Polyester

PERFORMANCE

MODEL	HQ008	HQ015	HQ020	HQ030	HQ050	HQ060	HQ080	HQ120
TORQUE(Nm)	80	150	200	300	500	600	800	1200
SPEED 90° 50/60	16/13	25/21	25/21	31/26	31/26	31/26	34/28	34/28
CURRENT 110/1/5	1.1	1.65	1.67	1.86	3.62	3.62	4.1	4.2
(A) 220/1/50	0.55	0.88	0.89	0.92	1.58	1.62	2.2	2.35
MAX 380/3/50	N/A	0.31	0.31	0.35	0.59	0.6	0.85	0.87
WEIGHT	7.4	16.6	16.6	22	23	23	29	29
MAX.SQ.DRIVE	17	19	19	30	30	30	40	40

**FOR MORE HQ ACTUATOR DETAILS
SEE SKU: AP9016**
[Wiring Diagrams](#)
[Dimensional Data](#)
[Operating Manuals](#)