

# EX5053

Valves  
ONLINE



## Electric Actuator ATEX II 2 GD Ex d II B T6 Mars 90D ANSI 300 FSAS, Stainless Steel Ball Valve

- ATEX-II 2 G D-Exd IIB T6
- Stainless Steel Body – Full Bore
- Flanged ANSI 300#
- Power Close / Power Open
- Fire Safe Seats with Antistatic Device Fitted
- RPTFE Seats, Graphite Seals
- Mars 90D-20, Valpes

### Description

A combination of a powerful Valpes Electric actuator, fitted to our Mars series 90D heavy duty high performance, flanged ANSI 300# ball valve in stainless steel. The valve comprises of a split 2-piece body with RPTFE seals that are Fire Safe Certified to API 607 4<sup>th</sup> Edition and is fitted with an Antistatic spring loaded device. The electric actuator has the capabilities to bring to you adequate support on applications within ATEX explosive atmospheres: II 2 G D - Ex d IIB T6 Gb. This unit gives you an exceptional combination, that offers trouble free operation. The actuator can be supplied in a range of voltages and has limit switches, optical indicator manual override and torque limiter.



### Description

Mars 90D, stainless steel full bore ball valve flanged ANSI 300 in sizes from DN15-DN150 (½" - 6") Fire-Safe and Anti-Static seats, fitted directly onto a Valpes electric actuator approved to ATEX II 2G, Eexd IIB T4. Supplied in various voltages and IP65 protected. This combination offers you a powerful unit that's safe in your hazardous environment.



### Beschreibung

Mars 90D, Edelstahlkugelhahn mit vollem Durchgang, geflanscht ANSI 300 in den Größen von DN15-DN150 (½"-6"), feuersichere und antistatische Sitze, direkt auf einen Valpes-Elektroantrieb mit Zulassung nach ATEX II 2G, Eexd IIB T4 montiert. Lieferbar in verschiedenen Spannungen und Schutzart IP 65. Diese Kombination bietet Ihnen ein leistungsstarkes Gerät, das in Ihrer gefährlichen Umgebung sicher ist.



### Descripción

Mars 90D, válvula de bola de paso total de acero inoxidable con brida ANSI 300 en tamaños desde DN15-DN150 (½" - 6") Asientos a prueba de fuego y antiestáticos, instalada directamente en un actuador eléctrico Valpes aprobado para ATEX II 2G, Eexd IIB T4. Se suministra en varios voltajes y con protección IP65. Esta combinación le ofrece una unidad potente que es segura en su entorno peligroso.



### Description

Mars 90D, vanne à boisseau sphérique à passage intégral en acier inoxydable à bride ANSI 300 dans les tailles DN15-DN150 (½"-6") sièges coupe-feu et antistatiques, montée directement sur un actionneur électrique Valpes approuvé ATEX II 2G, Eexd IIB T4. Fourni dans différentes tensions et protégé IP65. Cette combinaison vous offre une unité puissante qui est sûre dans votre environnement dangereux.

atex



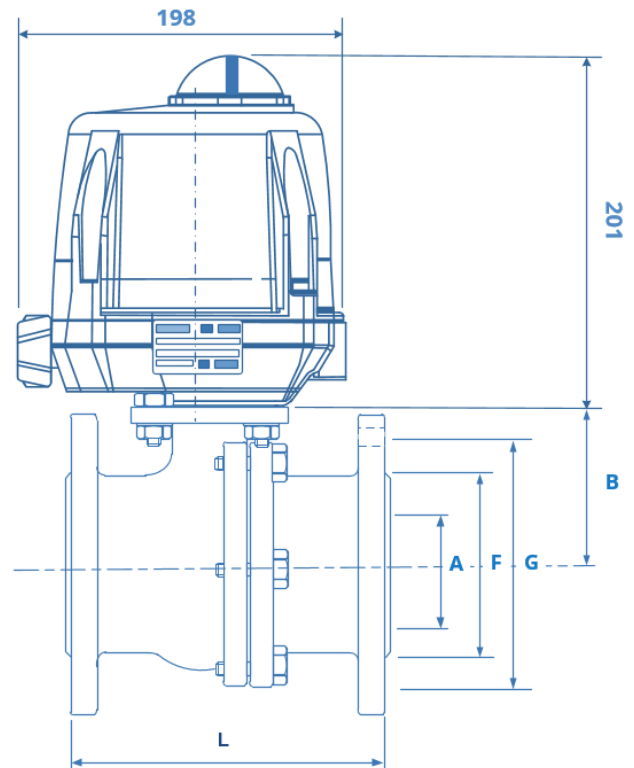
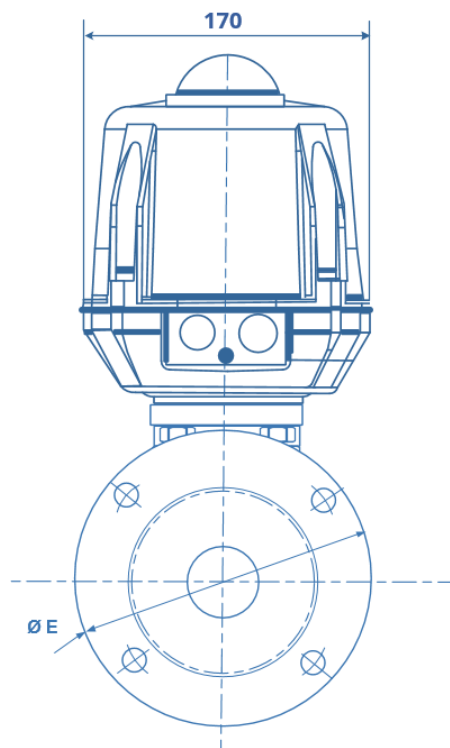
CE



Fire Safe Tested  
API 607 Rev. 4

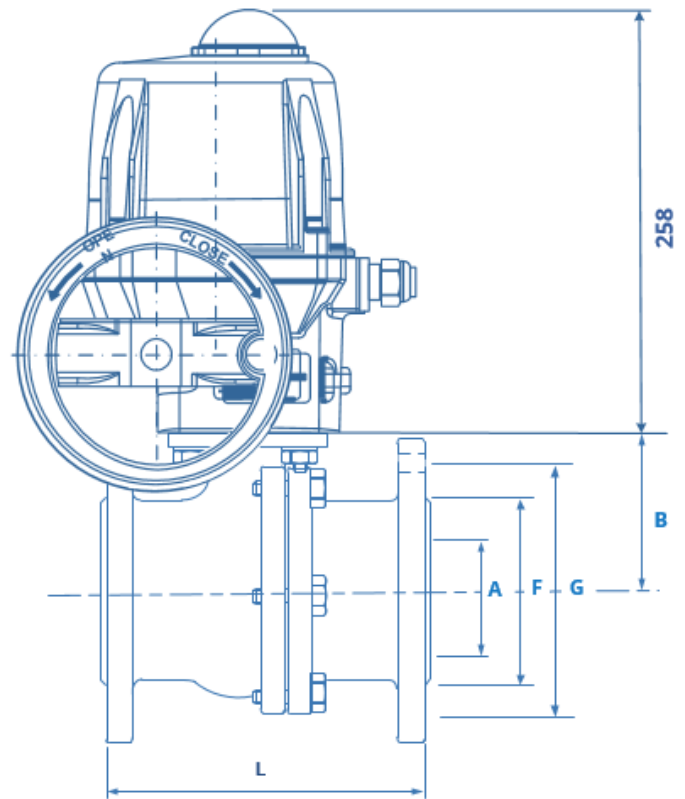
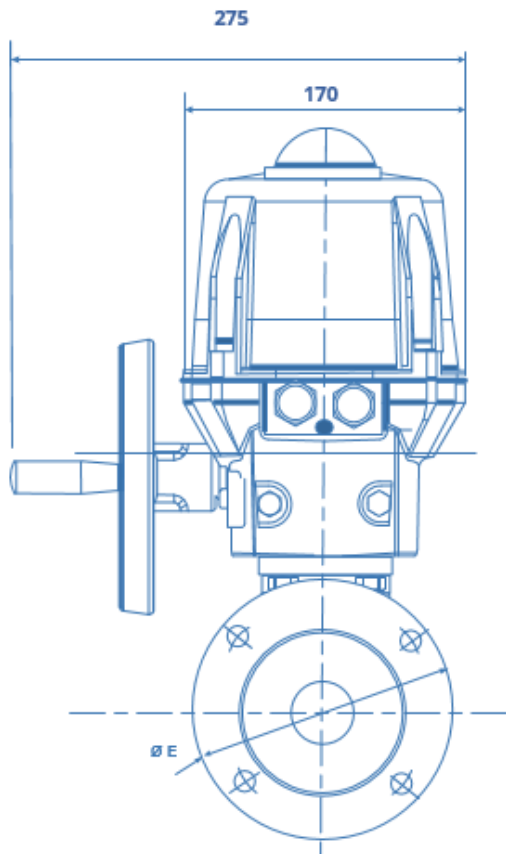
**Anti-Static Device**  
Stem to Ball and Stem to Body as standard

All information is sourced from our manufacturer's data and is intended for guidance only - Valves Online can accept no liability for changes, omissions or errors.



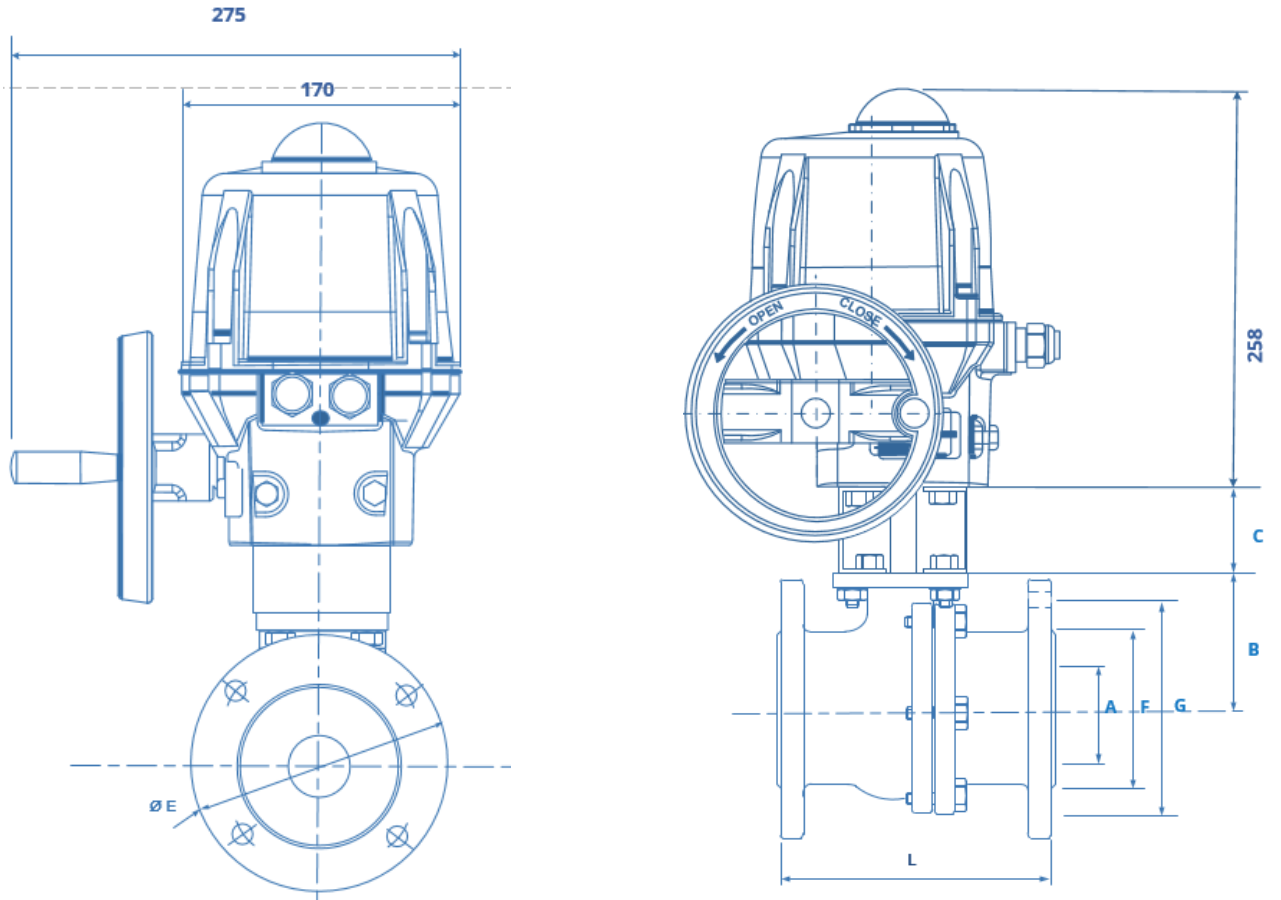
## BU3004 - VR25/45/75 1/2" - 2 1/2" without Kit

Size Full Bore	Electric Actuator Full Bore	L ANSI 300	B	C	A	F	G	E	MTG KIT Req
1/2"	BU3004-VR25	139.7	48.7		15	35.1	66.5	95.3	No
3/4"	BU3004-VR25	152.4	63.5		20	42.9	82.6	117.3	No
1"	BU3004-VR25	165.1	63.5		25	50.8	88.9	124	No
1 1/4"	BU3004-VR45	165.1	72.6		32	63.5	89	117	No
1 1/2"	BU3004-VR45	190.5	89.1		40	73.2	114.3	155.4	No
2"	BU3004-VR75	215.9	96.6		50	91.9	127	165.1	No
2 1/2"	BU3004-VR75	241.3	116		65	104.6	149.4	190.5	No



## BU3004 - VS100/300 3" - 6" without Kit

Size Full Bore	Electric Actuator Full Bore	L ANSI 300	B	C	A	F	G	E	MTG KIT Req
3"	BU3004-VR150	282.4	132.5		80	127	168.2	209.6	No
4"	BU3004-VR300	304.8	157		100	157.2	200.2	254	No
5"	BU3004-VS300	355.6	192.7	80	125	185.7	215.9	254	Yes
6"	BU3004-VS300	403.2	210.2	80	150	215.9	269.7	317.5	Yes



## BU3004 – VS300 5" and 6" with Kit

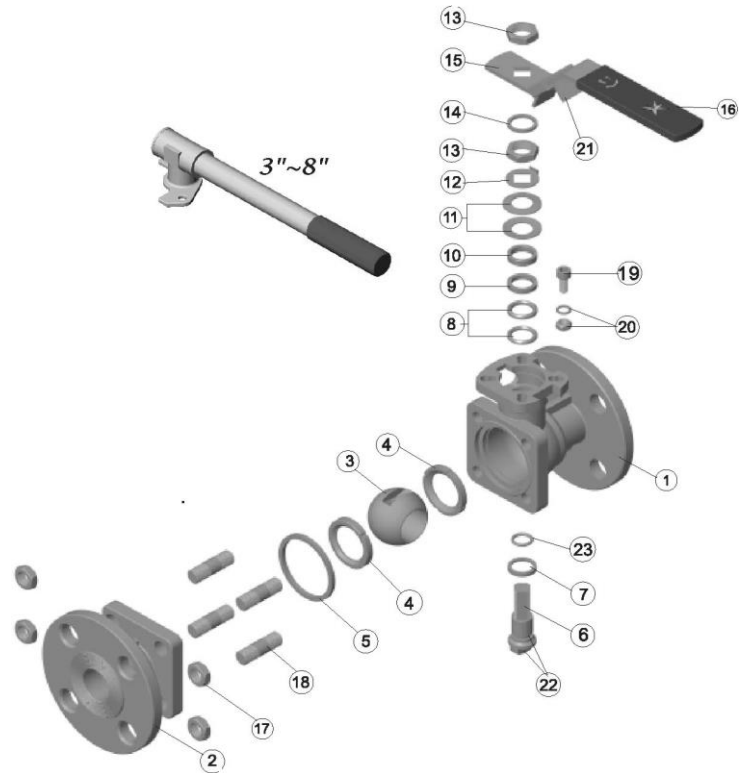
Size Full Bore	Electric Actuator Full Bore	L ANSI 300	B	C	A	F	G	E	MTG KIT Req
3"	BU3004-VR150	282.4	132.5		80	127	168.2	209.6	No
4"	BU3004-VR300	304.8	157		100	157.2	200.2	254	No
5"	BU3004-VS300	355.6	192.7	80	125	185.7	215.9	254	Yes
6"	BU3004-VS300	403.2	210.2	80	150	215.9	269.7	317.5	Yes

## Valve Specification

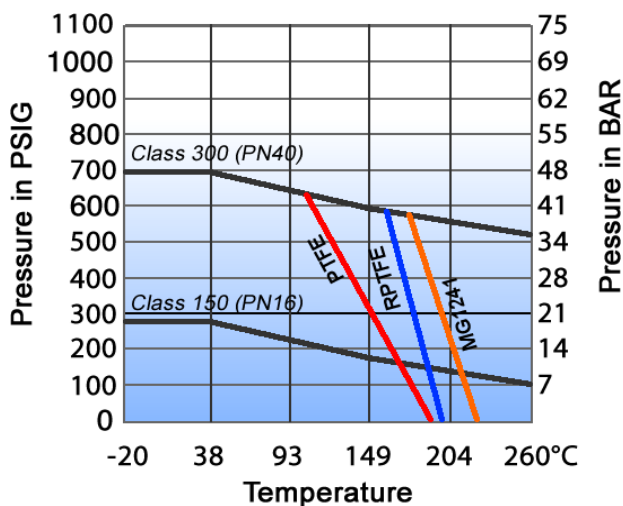
Pressure Rating	Fig 90D-10 ANSI 300#
Size	1/2" to 6" Full Bore
Temperature range	minus 20° to + 200° (see graph)
Movement	90 deg turn
Cycle life	1,000,000 operations
<b>Approvals</b>	<b>CE Marked 0035 PED/97/23/EC,</b> <b>TA-Luft</b> <b>ATEX 94/9/EC II 2 GD</b> <b>Fire-Safe Certified to API 607 4th Edition</b> <b>API 6D</b>

## Valve Materials

No	Part Name	Material	Qty
1	Body	CF8M / WCB	1
2	Cap	CF8M / WCB	1
3	Ball	SUS316	1
4	Seat	RPTFE	1
5	Joint Gasket	PTFE	2
6	O-Ring	Viton	2
7	Stem	SUS304	1
8	Stem Seal	RPTFE	2
9	O-Ring	SUS304	1
10	Stem Packing	GRAPHITE	2
11	Gland Packing	RPTFE	1
12	Gland Bush	SUS304	1
13	Belleville washer	PTFE	1
14	Stop Washer	SUS304	*
15	Stem Nut	SUS304	1
16	Stem Washer	Vinyl	1
17	Handle	25% RTFE	1
18	Stop Pin	SUS304	1
19	Locking Device	SUS304	1
20	Handle Sleeve	SUS304	1
21	Pin Nut	SS304	1
22	Anti-static Device	SS 316	1



## Temperature v Pressure Chart



Firesafe Tested  
API 607 Rev. 4

**atex**



All information is sourced from our manufacturer's data and is intended for guidance only - Valves Online can accept no liability for changes, omissions or errors.

Actuator	Actuator Specification for VR/VS
Enclosure	Waterproof IP67
Power Supply	110/240V 50/60 Hz or 24 VAC/VDC
Operating Time	see chart
Limit Switches	4 x SPDT, 250V AC 5A
Space Heater	self regulated Anti Condensation Heater
Manual Override	25, 45, 75 NM outgoing axis Handwheel 100,150, 300Nm
Duty Cycle (on/off duty)	At max. torque 50% of the time
Travel Angle	90°
Conduit Entries	2 x cable glands ISO 20
Ambient Temperature	-20°C to + 70°C
Power consumption	45W-85W (see chart)

The electrical rotary actuator type 3004 is a compact, powerful and explosion proofed actuator system which provides a long service life. Materials and components have been chosen for a maintenance-free operation and ensure low thermal loading on the actuator. The modular design offers many options such as extra limit switches or potentiometers, to be added to the basic unit.

- Direct mounting for quarter-turn valves
- Manual override
- Corrosion resistant
- Adjustable limit switches

**ATEX II 2 GD Ex d II B T6**

## Actuator Specification

Type (model)	Max Output Torque	Operating Time 50/60Hz 90	Motor Class	Power Consumption W				Weight W (kg)
				24VAC	110VAC	220 VAC	24 VDC	
VR25	25NM	7 secs		45	45	45	45	4
VR45	45NM	15 Secs	103/103	45	45	45	45	4
VR75	75NM	20 Secs	185/166	45	45	45	45	4
VS100	100NM	15 Secs	185/166	45	45	45	45	6
VS150	150NM	30 Secs		45	45	45	45	6
VS300	300NM	50 Secs		85	85	85	85	6



All information is sourced from our manufacturer's data and is intended for guidance only - Valves Online can accept no liability for changes, omissions or errors.