



Electric Motorised Brass Ball Valve 1/2", 3/4" & 1"

WRAS APPROVED BALL VALVE

- 1/2" - 1" Screwed BSPP
- 24VDC, 110 & 230 Volt AC
- IP67 Aluminium housing
- Optical and electrical indication including LED lamps to show either open or closed
- Manual Emergency Lever
- 4 off limit switches
- Anti condensation heater
- 3m Flying lead – no need for the cover to be removed during installation

Description

A low cost electric driven Wras Approved ball valve fitted to our mini electric actuator. Specifically designed for on/off operation. The unit comprises of a compact and lightweight electric actuator that's fitted to a 2 way screwed full bore brass ball valve that is suitable and approved for isolation of drinking water and similar applications. The HQ003 electric actuator is specially designed for easy installation having pre wired flying leads, IP67 protected with manual override and limit switches. This High Quality unit provides optical position indication and electrical components and alloy gearing ensure reliability and extended life span.

Design Advantages

Valve WRAS Approved

Blow - out proof stem

Prevents stem blowing out for maximum safety.

Easy in line Installation

Pre Wired Actuator



Description

1/2" - 1" Direct mount ball valve with mini electric actuator. Flying leads provide easy wiring giving power to open and power to close. The compact actuator has the addition of limit switches, optical indication and manual override.



Beschreibung

1/2" - 1" Direkt montierter Kugelhahn mit elektrisch betätigtem elektrischen Mini-Stellantrieb. Die fliegenden Leitungen ermöglichen eine einfache Verdrahtung und ermöglichen das Öffnen und Schließen. Der kompakte Stellantrieb verfügt zusätzlich über Endschalter, optische Anzeige und manuelle Übersteuerung.



Descripción

Válvula de bola de montaje directo de 1/2" - 1" con mini actuador eléctrico accionado eléctricamente. Los cables de vuelo proporcionan un cableado fácil que permite la apertura y el cierre de potencia. El actuador compacto tiene interruptores de fin de carrera, indicación óptica y anulación manual.



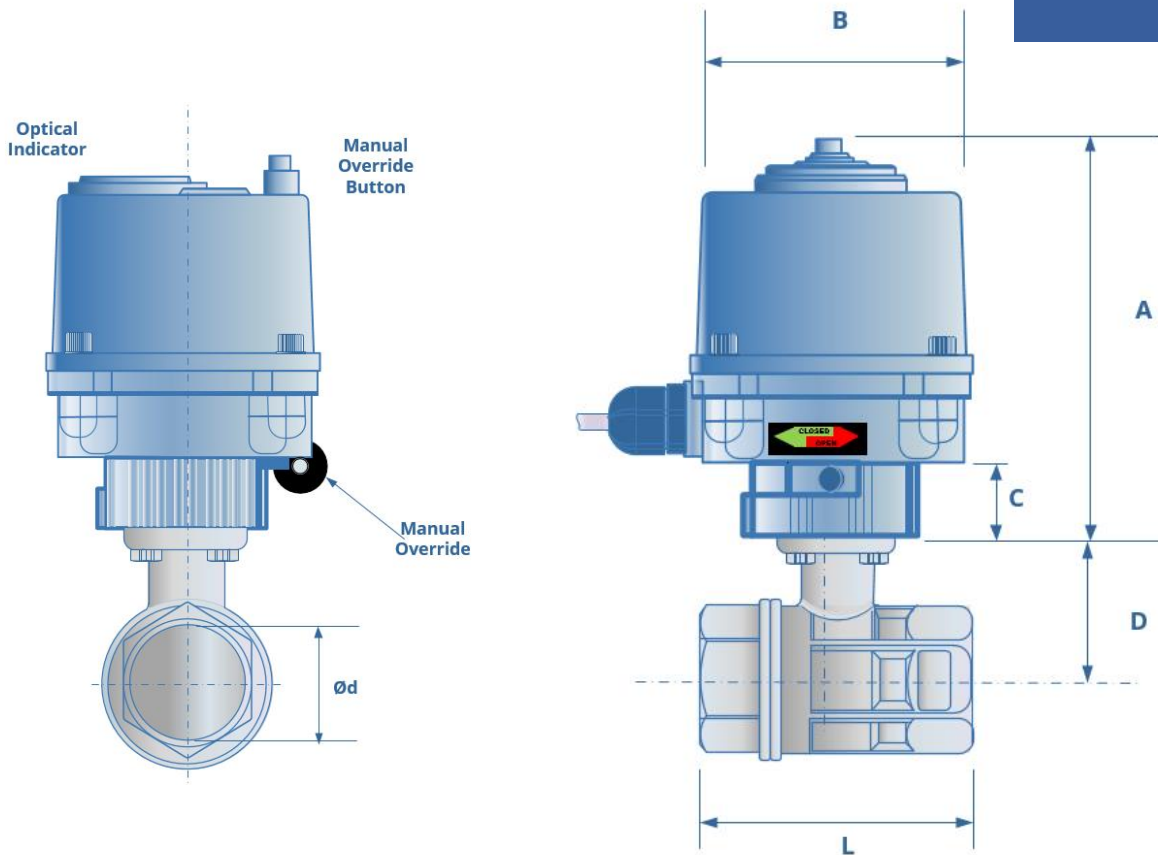
la description

Robinet à boisseau sphérique à montage direct de 1/2" - 1" avec mini actionneur électrique à commande électrique. Les câbles volants facilitent le câblage et permettent d'ouvrir et de fermer l'alimentation électrique. et commande manuelle.



STOCKED PRODUCT

All information is sourced from our manufacturer's data and is intended for guidance only - ValvesOnline can accept no liability for changes, omissions or errors.



The electric actuator is specially designed for quarter turn applications such as this small ball valve. Small, light and compact design, superior in operation and long life than other mini electric actuators.

Supplied with 4 switches, Anti Condensation Heater and fitted with LED lamp indicators for Open & Close positions.

The lever manual override is activated by pressing the declutch push button located on the top of the housing. This must remain pressed during operation of the lever.

High quality electrical components and alloy gearing ensure reliability and extended life span.

Supplied with a 3m flying lead so removal of the cover is not required during installation.

The Actuator housing is hard anodised inside and out prior to painting for increased corrosion resistance.

Dimensions mm

Port Connection	Actuator Type	A	B	C	D	Ød	L	Weight kg	KV
Size	Model								
1/2"	V003	124.3	88.6	22	31	15	59	1.5	16.3
3/4"	V003	124.3	88.6	22	37	20	69	1.6	29.5
1"	V003	124.3	88.6	22	41	25	86	1.9	43

Maximum Output Torque	Operating Time 50/60Hz	Rated Current (A)		
		AC 1PH 50/60Hz	DC	
30Nm	12 Secs	110V	220V	24V
		0.1/0.1	0.1/0.1	0.5

Actuator Specification

Enclosure	Weatherproof IP67
Power Supply	85-265v 50/60Hz, 24v DC
Duty Cycle (on/off Duty)	S4 50%
Motor	Reversible Motor
Limit Switches	2 x SPDT, 250V AC 3A
Additional Switches	2 x SPDT, 250V AC 3A
Space Heater	0.5 W
Manual Override	Push Button Lever Operated
Movement Angle	90° ±5 (0° to 90°)
Ambient Temperature	20°C to 70°C
External Coating	Dry Powder, Polyester

Valve Specification

Body	Brass CW 617 N
Ball	Brass CW 617 N
Setas	PTFE (Teflon)
Stem	Brass CW 614 N
O-Ring	NBR Rubber
Pressure	PN40, 580 PSI
Temperature	20°C to 95°C
Ends	Screwed BSPP

All information is sourced from our manufacturer's data and is intended for guidance only - ValvesOnline can accept no liability for changes, omissions or errors.

V003 WIRING DIAGRAM

