



Explosion Proof Electric Actuated Stainless FSAS Ball Valve - On/Off

- ATEX-II 2 G D-Exd IIB T6
- Fire-Safe and Antistatic Valve
- Power Closed / Open
- 2000 PSI Rated
- Full Bore



Description

A Heavy Duty Full bore high performance ball valve in stainless steel, fitted with a powerful IP65 ATEX approved electric actuator. Suitably designed for slightly aggressive media and explosive atmospheres make this combination a reliable and compact unit.
1/4" to 1" - 2000 psi.
1 1/4" to 2" - 1500 psi.
2 1/2" to 4" - 1000 psi.



Beschreibung

Ein Hochleistungs-Hochleistungs-Kugelhahn aus rostfreiem Stahl, der mit einem leistungsstarken IP65 ATEX zugelassenen elektrischen Stellantrieb ausgestattet ist. Geeignet für leicht aggressive Medien und explosionsgefährdete Atmosphären sorgen diese Kombination zu einer zuverlässigen und kompakten Einheit.
1/4 "bis 1" - 2000 psi .
1 1/4 "bis 2" - 1500 psi .
2 1/2 "bis 4" - 1000 psi .



Descripción

Una válvula de bola de alto rendimiento de alto rendimiento de servicio pesado en acero inoxidable, equipada con un potente accionador eléctrico aprobado por IP65 ATEX. Convenientemente diseñados para medios ligeramente agresivos y atmósferas explosivas, hacen de esta combinación una unidad confiable y compacta. 1/4 "a 1" - 2000 psi.
1 1/4 "a 2" - 1500 psi.
2 1/2 "a 4" - 1000 psi.



Descripción

Une robinet à boisseau sphérique haute performance à haute perforation en acier inoxydable, équipé d'un puissant actionneur électrique homologué IP65 ATEX. Conçu de manière appropriée pour des milieux légèrement agressifs et des atmosphères explosives, cette combinaison est une unité fiable et compacte.
1/4 "à 1" - 2000 psi .
1 1/4 "à 2" - 1500 psi.
2 1/2 "à 4" - 1000 psi.

Description

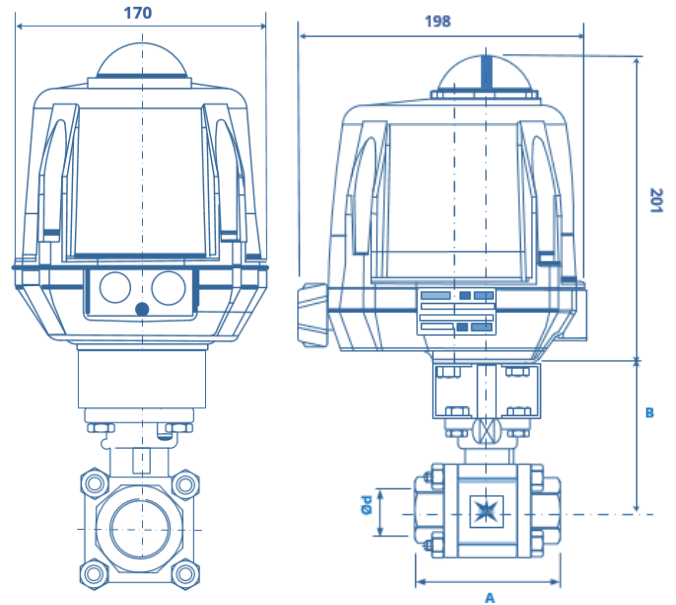
In addition to corrosive atmospheres, the EX4109 has the capabilities to bring to you adequate support on applications within ATEX explosive atmospheres: II 2 G D - Ex d IIB T6 Gb A perfect combination of series 88 heavy duty full bore, stainless steel 3 piece, fully maintainable ball valve with RPTFE seats Fire Safe to API 607 4th Edition. End connections are offered in BSPP, BSPT, NPT and Socket weld. The actuator can be supplied in a range of voltages and has limit switches, optical indicator manual override and torque limiter.

atex



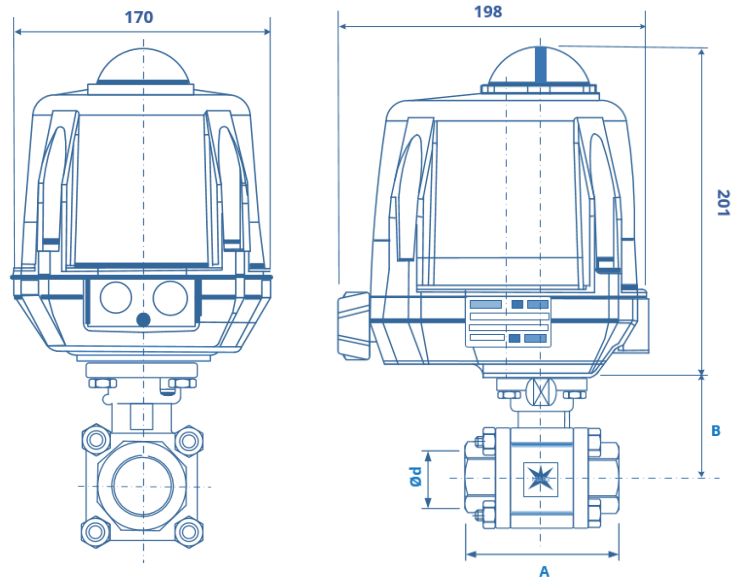
BU3004 Model
25,45.75

The rotary actuator type BU3004 is a compact, powerful and explosion proofed actuator system which provides a long service life. Materials and components have been chosen for maintenance-free operation and ensure low thermal loading on the actuator. The modular design offers many options such as extra limit switches or potentiometers, to be added to the basic unit.



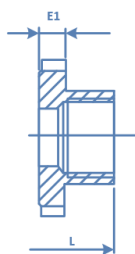
BU3004-VR25 1/4" - 3/4" with Kit

Size Full Bore	Electric Actuator Full Bore	A	B	W (kg)
1/4"	BU3004-VR25	75	92.6	4.89
3/8"	BU3004-VR25	75	92.6	4.89
1/2"	BU3004-VR25	72.5	92.6	4.82
3/4"	BU3004-VR25	85.4	96.8	5.29
1"	BU3004-VR25	105.3	59.3	6.01
1.1/4"	BU3004-VR45	111	62.6	6.76
1.1/2"	BU3004-VR45	127.3	79	8.21
2"	BU3004-VR75	142.8	87.7	9.83
2 1/2"	BU3004-VR75	185	108.7	16

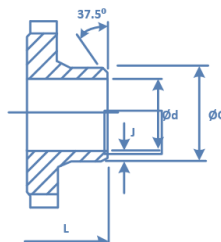


BU3004-VR25/45/75 1" - 2 1/2" without Kit

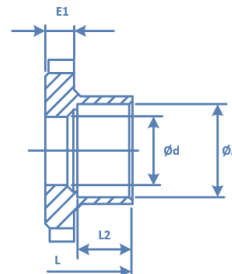
Dimensions		
VALVE	L	L2
1/4"	75	10
3/8"	75	10
1/2"	72.5	10
3/4"	85.4	13
1"	105.3	13
1 1/4"	111	13
1 1/2"	127.3	13
2"	142.8	16
2 1/2"	185	16



Threaded End
BSP, NPT



Socket Weld



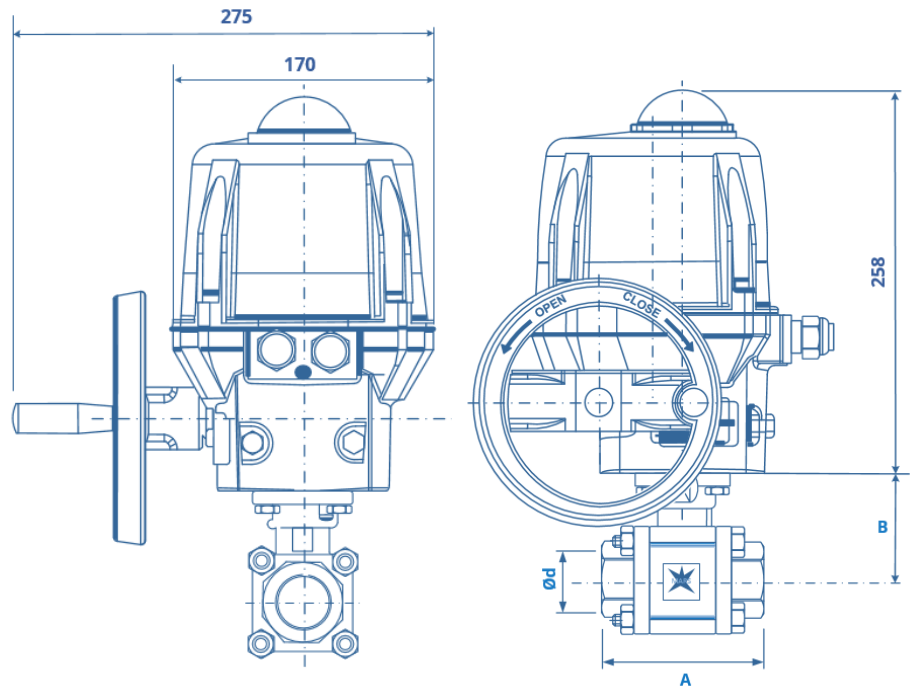
Butt Weld

Connection Options
BSPP
BSPT
NPT
Socket Weld

BU3004 Model
VS100

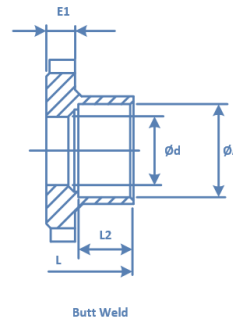
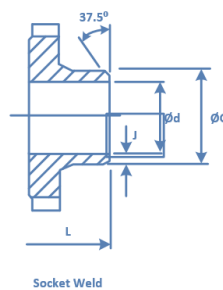
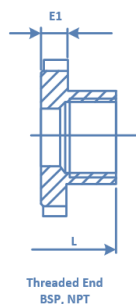
BU3004-VS100 3" - 4" without Mounting Kit

The rotary actuator type BU3004 is a compact, powerful and explosion proofed actuator system which provides a long service life. Materials and components have been chosen for maintenance-free operation and ensure low thermal loading on the actuator. The modular design offers many options such as extra limit switches or potentiometers, to be added to the basic unit.



Size Full Bore	Electric Actuator Full Bore	A	B	W (kg)
3"	BU3004-VS100	205	117.7	23.2
4"	BU3004-VS100	240	133.7	32.8

Dimensions		
VALVE	L	L2
3"	205	16
4"	240	20



Connection
Options
BSPP
BSPT
NPT
Socket Weld

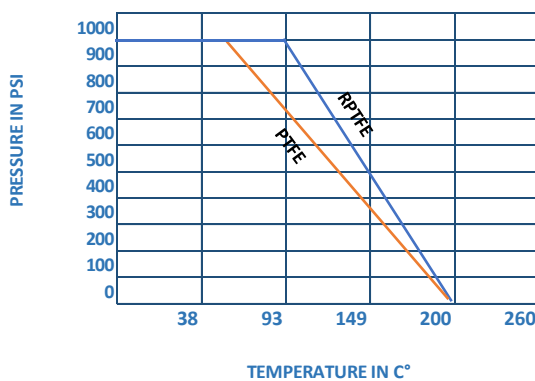
TECHNICAL SPECIFICATIONS

Actuator	Actuator Specification for VR/VS	Series 88 Technical Details	
		Part Name	Material
Enclosure	Weaterproof IP67	Body	CF8M
Power Supply	110/240V 50/60 Hz or 24 VAC/VDC	End Cap	CF8M
Operating Time	see chart	Ball	SUS316
Limit Switches	4 x SPDT, 250V AC 5A	Stem	SUS316
Space Heater	self regulated Anti Condensation Heater	Stem Nut	SUS304
Manual Override	25, 45, 75 NM outgoing axis Handwheel 100,150, 300Nm	Thrust Washer	SUS304
Duty Cycle (on/off duty)	At max. torque 50% of the time	Seat	Reinforced PTFE
Travel Angle	90°	Gland Ring	SUS304
Conduit Entries	2 x cable glands ISO 20	Stem Packing	RPTFE
Ambient Temperature	-20° C to + 70° C	Belleville washer	SUS301
Power consumption	45W-85W (see chart)	Nut	SUS304
		Specification	
		Pressure range	1/4" - 1" - 138 Bar, 1 1/4" - 2" - 103 Bar, 2 1/2" - 4" - 69 Bar
		Size	1/4" to 4" Full Bore
		Temperature range	minus 20° to + 200° (see graph)
		Movement	90 deg turn
		Cycle life	1,000,000 operations
		Approvals	
		API 607 4th Edition, CE -PED/97/23/EC, ATEX 94/9/EC II 2 GD, SIL Certified	

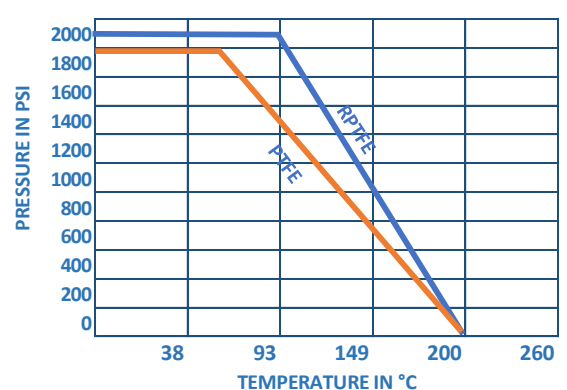
Actuator Specification

Type (model)	Max Output Torque	Operating Time 50/60Hz	Motor Class	Power Consumption W				Weight W (kg)
				24VAC	110VAC	220 VAC	24 VDC	
VR25	25NM	7 secs		45	45	45	45	4
VR45	45NM	15 Secs	103/103	45	45	45	45	4
VR75	75NM	20 Secs	185/166	45	45	45	45	4
VS100	100NM	15 Secs	185/166	45	45	45	45	6

PRESSURE v TEMPERATURE CHART



PRESSURE v TEMPERATURE CHART



Firesafe Tested
API 607 Rev. 4



atex