



Gauge Assembly Set for Steam

- Heavy Duty 100mm Pressure Gauge
- Dual Scale in both Bar and PSI
- Options for both Steel and Stainless Syphon
- Gauge Isolating Valve
- BSP Connections
- Gauge Stainless Steel Body, Blow Out Back
- Available Online



Description

A robust easily readable dual scaled pressure gauge, offered in a 4" case. The gauge is supplied with a choice of male/female BSP connection 'U' syphon or 'ring' syphon, with the addition of a heavy duty isolation valve.

Recommended



Beschreibung

Ein robustes, leicht ablesbares, doppelt skaliertes Druckmessgerät, das in einem 4"-Gehäuse angeboten wird. Das Messgerät wird mit einem BSP-Anschluss mit "U"-Siphon oder "Ring"-Siphon geliefert, zusätzlich mit einem robusten Absperrventil.

Empfohlen



Descripción

Un medidor de presión de doble escala robusto y fácil de leer, ofrecido en una caja de 4". El medidor se suministra con una opción de sifón 'U' de conexión BSP macho o hembra o sifón de 'anillo', con la adición de una válvula de aislamiento de alta resistencia.

Recomendado



Description

Un manomètre à double échelle robuste et facilement lisible, offert dans un boîtier de 4". Le manomètre est fourni avec un choix de connexion BSP mâle / femelle, un siphon en U ou un siphon à anneau, avec en plus une vanne d'isolement robuste.

Conseillé

It is recommended that gauges should be fitted on to a syphon when used on steam or hot gases. We have compiled an easy to install, Bourdon tube pressure gauge set, manufactured to DIN design, comprising of a heavy duty stainless steel cased pressure gauge size 100mm face. The gauge is dual scale in both Bar and PSI, It has fitted an industrial isolating valve onto your choice of 'U' or 'pigtail ring' syphon.

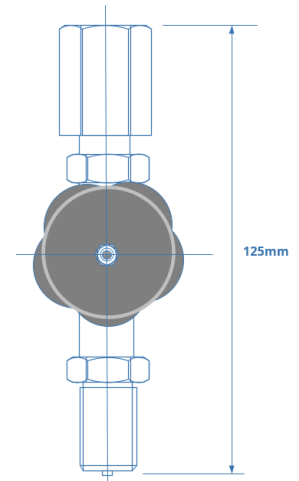
Standard Ranges

- 0/15 psi & 1 bar
- 0/30 psi & 2 bar
- 0/60 psi & 4 bar
- 0/100 psi & 7 bar
- 0/160 psi & 11 bar
- 0/200 psi & 14 bar

Isolation Valves provide a simple way to shut off the flow to a pressure instrument. Gauge Valves allow the instrument to be isolated from the pressure media or removed from service.

Specification:

- Thread Sizes: 1/2" BSP
- Connection: Male to Female
- Construction: Stainless Steel or Brass
- Pressure Rating:
Stainless Steel 400 bar
Brass 250 bar
- Temperature Rating: 120°C Max



The range of 'Ring' and 'U' type Syphons have been developed for use in the protection of pressure gauges. A syphon is often used in conjunction with a gauge cock or isolation valve. This helps reduce the temperature of the medium. Condensation forms and accumulates within the loop or bend, providing the gauge protection before it reaches the gauge head. It can also help the gauge with stand rapid pressure surges.

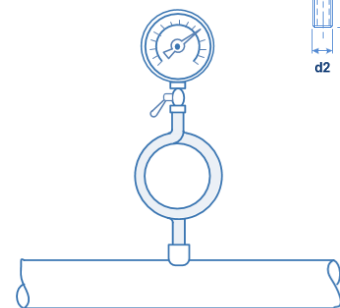
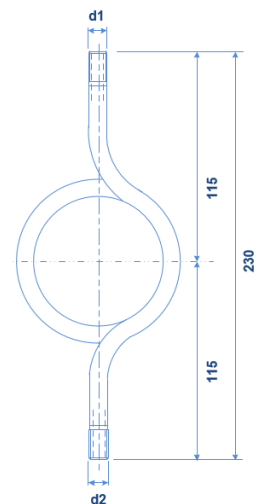
Specification:

- Style: 'Ring'(Pigtail) or 'U'
- Materials:
316 Stainless Steel
304 Stainless Steel
Mild Steel
Brass
- Thread Sizes: 1/4", 3/8" & 1/2" BSP
- Connection Male to Male
- Pressure Rating: 160 bar (subject to material)
- Max Temperature: 400°C (subject to material)



Ring or Pigtail Syphon

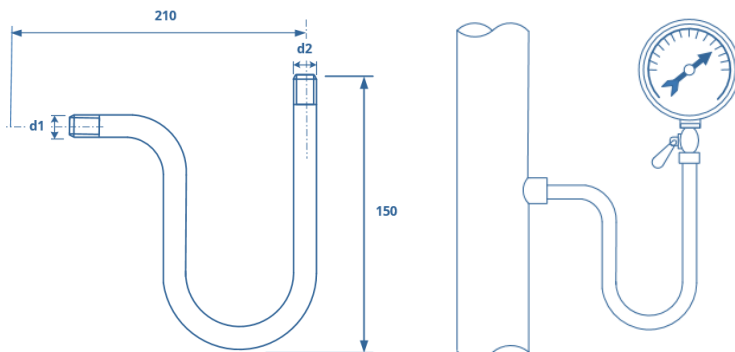
Fitted mostly on Horizontal pipework and on top of vessels (height permitting)



We would recommend as with all instrumentation that care must be taken when installing this delicate device. In addition it is also recommended that the syphon should be primed with water prior to fitting the gauge/operation.

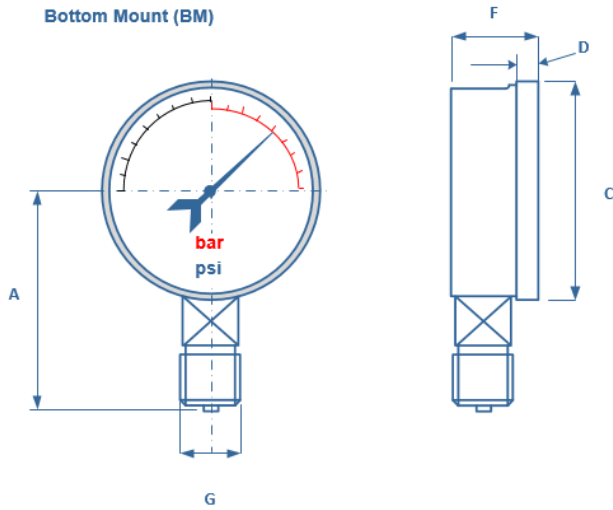
U Syphon

Generally used on Vertical pipework and on sides of vessels



All information is sourced from our manufacturer's data and is intended for guidance only - ValvesOnline can accept no liability for changes, omissions or errors.

Bottom Mount (BM)



Attribute	Value
Nominal Size	100mm
Accuracy	100mm at +/-1.6% at +/- 1%
Series	PG2004
Scales	PSI Outer (Black) & BAR Inner (Red) - Pressure 'HG Outer (Black) & BAR Inner (Red) - Vacuum HG+PSI Outer (black) & BAR Inner (red) - Compound
Ranges	-30/0"HG Vacuum to 0/4000 PSI Pressure -30"HG/+30 PSI Compound
Mounting Options	Bottom
Operating Temperatures	Ambient: -20/+60°C Medium: +60°C maximum
Temperature Effect	Variation in indication caused by temperature ± 0.04 x (t2 - t1)% of the span t1 is the reference ambient temperature in °C t2 is the ambient temperature in °C
Ingress Protection	IP 40 as per EN 60529
Case	304 Stainless Steel
Window	100mm: Polycarbonate - Crystal Clear
Pressure Element	CU Alloy - Sealed Bourdon tube C-type < 100 BAR Coiled Type > 100 BAR
Joints	Soldered with tin alloy
Movement	High Precision Brass
Process Connection Block	40mm 1/8" BSPT male, 11mm Hex Block 100/160mm 3/8"BSP, 1/2"BSP, 22mm Hex Block
Pointer	Aluminium - Black
Dial	Aluminium - White



Standard Ranges

- 0/15 psi & 1 bar
- 0/30 psi & 2 bar
- 0/60 psi & 4 bar
- 0/100 psi & 7 bar
- 0/160 psi & 11 bar
- 0/200 psi & 14 bar
- Other Ranges Available

Dimensions in mm

Size	A	B	C	D	E	F	G	Weight g
100	82	95	108	7	80	35	1/2, 3/8 P	450

All information is sourced from our manufacturer's data and is intended for guidance only - Valves Online can accept no liability for changes, omissions or errors.