



Brass Screwed (NPT) Gate Valve, 1/4" - 4" Class 150

- Cast Brass Body
- Handwheel Operated
- Ideal For Isolation
- Robust and Rugged Construction
- 1/4" up to 4"
- Non Rising Stem

> Description

The GV5009 Gate Valve is a rugged, cast brass valve suitable for isolation of fluids up to a temperature not exceeding 120°C. Offered with threaded end connections, in sizes ranging from 1/4" - 4" in NPT threads to BS 5154. Easy to install and is operated via an aluminium handwheel. This gate valve is used on isolation and not to be used for throttling, where we would recommend a globe valve. Suitable for pressures rated class 150. Maintenance free, which makes this an excellent choice of valve.

Options in this range include GV5000 BSPT PN20.

> Key Features

- Maximum working pressure Class 150
- Working temperature -20°C to +120°C
- NPT Threads 1/4" - 4"



Description

A Cast brass, screwed gate valve, that is suitable for many isolating applications. Handwheel operated and offered in sizes ranging from 1/4" up to 4".
Temperatures of -20 to +120°C
Rated pressure Class 150.



Beschreibung

Ein verschraubter Absperrschieber aus Messingguss, der für viele Absperranwendungen geeignet ist. Handradbetrieben und in Größen von 1/4" bis 4" erhältlich. Temperaturen von -20 bis +120°C Nenndruck Class 150.



Descripción

Una válvula de compuerta atornillada de latón fundido, adecuada para muchas aplicaciones de aislamiento. Se opera con volante y se ofrece en tamaños que van desde 1/4" hasta 4". Temperaturas de -20 a +120°C Presión nominal Class 150.



Description

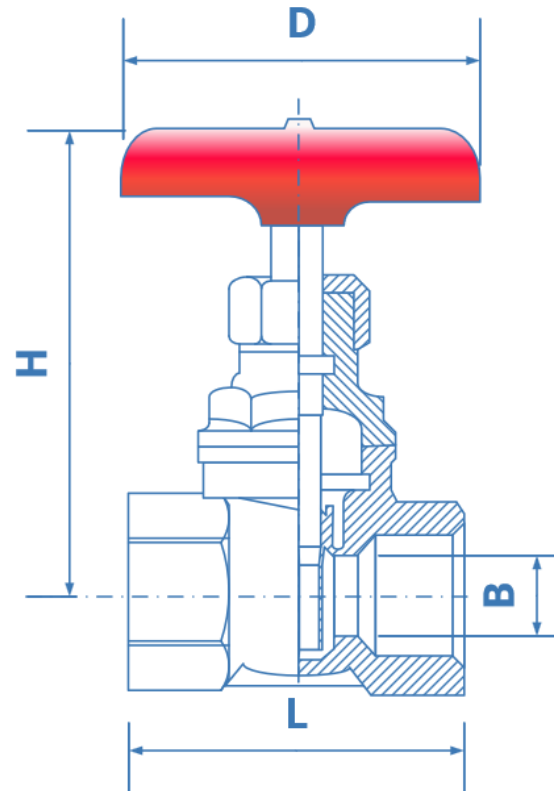
Un robinet-vanne en laiton coulé, vissé, qui convient à de nombreuses applications d'isolement. Actionné par volant et offert dans des tailles allant de 1/4" à 4".
Températures de -20 à +120°C Pression nominale Class 150.

> Brass Screwed Gate Valve

- Maximum working pressure Class 150
- Working temperature -20°C to +120°C
- NPT Threads 1/4" - 4"

Dimensions					
SIZE	L	H	D	B	Kg
1/4"	35	61.5	55	13	0.18
3/8"	36	61.5	55	13	0.18
1/2"	42	63	55	13	0.2
3/4"	45	77	55	17	0.32
1"	51	85	65	21	0.42
1 1/4"	55	102	70	27	0.66
1 1/2"	58	117	70	33	0.86
2"	64	131	85	44.5	1.28
2 1/2"	77	175	100	60	2.5
3"	90	197	110	69	3.5
4"	100	240	125	87	5.5

Material Specification	
Body	Brass
Wedge	Brass
Stem	Brass
Bonnet	Brass
Gasket	PTFE
Packing	PTFE
Handwheel	Die Cast Aluminium



All information is sourced from our manufacturer's data and is intended for guidance only - Valves Online can accept no liability for changes, omissions or errors.

