

Hygienic Sight Glass



Our Hygienic (Sanitary) Sight Glass is used in food processing, pharmaceutical and process applications to view the contents, liquid flow and levels of media in the pipeline. It is easy to assemble and disassemble.

Features a 316 Stainless Steel body, Pyrex Borosilicate high pressure clear glass and EPDM seal.

- 1" - 4" OD weld
- RJT and Clamp ends available
- Grade 316 stainless steel body.
- Heat resistant glass
- Up to 10 Bar
- Easy to assemble and disassemble



Description

Designed with ease of assembly and disassembly. Supplied in sizes from 1" OD - 4" OD weld ends, alternative ends can be supplied on request RJT / Clamp.

Grade 316 stainless steel body.
Glass: Clean, High pressure glass PYREX - Borosilicate
Max working pressure: 1" - 10 Bar, 4" - 7 Bar
Temperature: see graph
Glass seals: EPDM



Beschreibung

Entworfen mit Einfachheit der Montage und Demontage .
Kommt in den Größen von 1" - OD Schweißenden OD 4"

Spare Enden können auf Anfrage RJT / Klemme versehen werden.
Stufe 316 Gehäuse aus Edelstahl .
Glass : Clean, Hochdruck Pyrex - Borosilikatglas
Maximaler Betriebsdruck: 1 " - 10 Bar, 4 " - 7 Bar
Temperatur: siehe Tabelle
Glass Dichtungen: EPDM



Descripción

Diseñado con la facilidad de montaje y desmontaje. Se suministra en tamaños de 1" - extremos de soldadura OD 4"

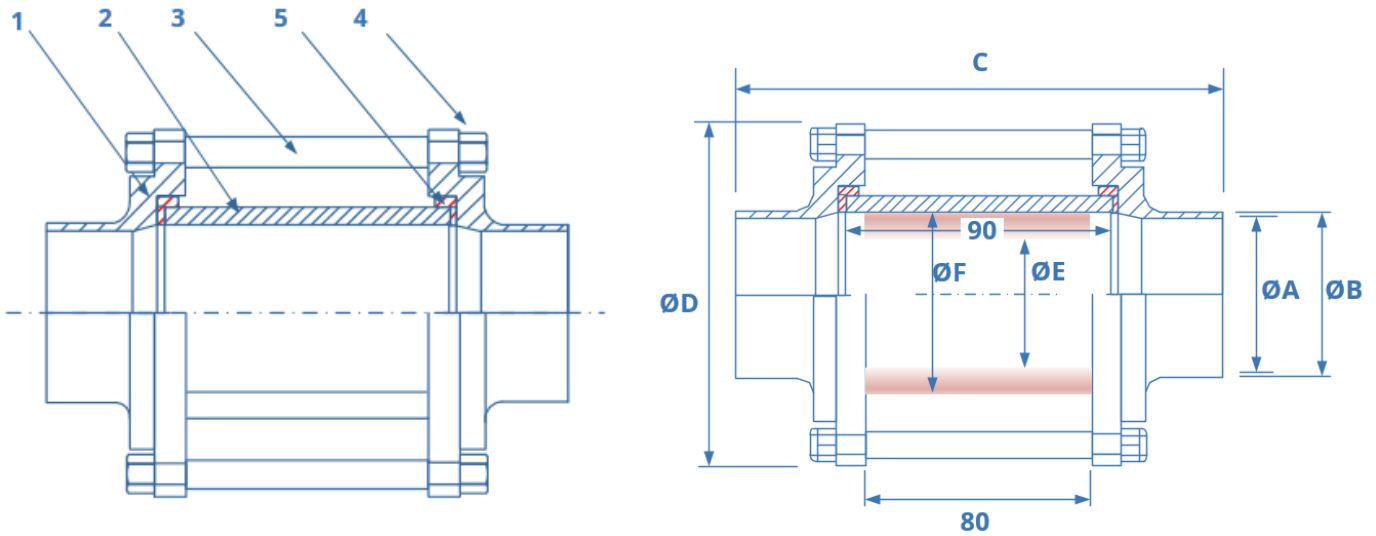
finés alternativos pueden ser suministrados bajo pedido RJT / Pinza .
316 Cuerpo de acero inoxidable de grado .
Vidrio: Limpio, vidrio Pyrex de alta presión - borosilicato
Presión máxima de trabajo : 1 " - 10 Bar, 4 " - 7 Bar
Temperatura: ver gráfico
Sellos de vidrio: EPDM



Description

Conçu avec la facilité de montage et de démontage. Livré dans les tailles de 1 - OD extrémités de soudure " OD 4 "

extrémités de rechange peuvent être fournis sur demande RJT / Clamp
Niveau 316 corps en acier inoxydable .
Verre: Nettoyer , pyrex haute pression - borosilicate
Pression maximum de travail : 1 " - 10 Bar , 4 " - 7 Bar
Température : voir le graphique
Joints en verre: EPDM



DIMENSIONS

| SIZE | A | B | C | D | E | F | MAX. PRESS. BAR |
|------|------|-------|-----|-----|-----|-----|-----------------|
| 1 | 22.1 | 25.4 | 148 | 79 | 26 | 32 | 10 |
| 1.5 | 34.5 | 38.1 | 156 | 85 | 34 | 40 | 10 |
| 2 | 47.5 | 50.8 | 160 | 105 | 50 | 60 | 10 |
| 2.5 | 60.2 | 63.5 | 160 | 112 | 65 | 75 | 9 |
| 3 | 72.9 | 76.2 | 162 | 125 | 76 | 85 | 7 |
| 4 | 97.6 | 101.6 | 167 | 157 | 100 | 110 | 7 |

MATERIAL

| | |
|---|------------------------------|
| 1 | LOCK NUT NYLON |
| 2 | SEAL - EPDM |
| 3 | BOLT 316 ST ST |
| 4 | HIGH PRESSURE CLEAN GLASS |
| 5 | BODY 316 ST ST |

- Grade 316 Stainless steel Body
- Glass Clear High Pressure (Pyrex Borosilicate)
- Max Working Pressure see table
- Glass Seal EPDM
- Alternative ends can be welded