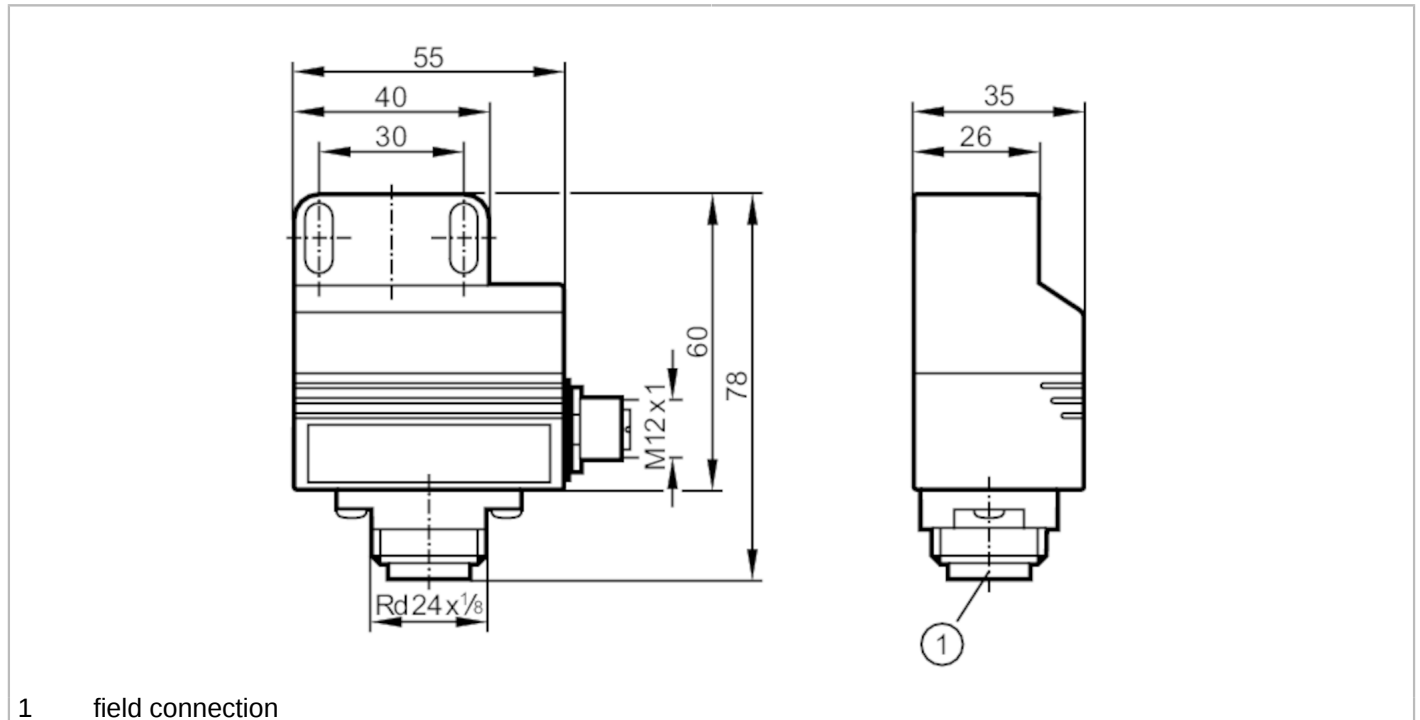


# IN5334



## Inductive dual sensor for valve actuators

IND3004DBPKG/T2



1 field connection



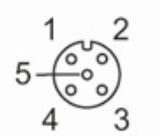
| Application  |   |
|--|---|
| Application  | for actuators using standard ISO 5211 (VDI/VDE ) mounting |
| Electrical data                                      |   |
| Operating voltage [V]                                | 10...36 DC  |
| Current consumption [mA]                             | 20; (36 V)  |
| Protection class                                     | III   |
| Reverse polarity protection                          | yes   |
| Outputs  |   |
| Electrical design                                    | PNP   |
| Output function                                      | 2 x normally open   |
| Max. voltage drop switching output DC [V]            | 2.5   |
| Permanent current rating of switching output DC [mA] | 250   |
| Switching frequency DC [Hz]                          | 1300  |
| Short-circuit protection                             | yes   |
| Type of short-circuit protection                     | pulsed  |
| Overload protection                                  | yes   |
| Detection zone                                       |   |
| Sensing range [mm]                                   | 4   |
| Real sensing range Sr [mm]                           | 4 ± 10 %  |
| Operating distance [mm]                              | 0...3.25  |

# IN5334



## Inductive dual sensor for valve actuators

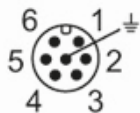
IND3004DBPKG/T2

| Accuracy / deviations   |   |                   |
|---|---|-------------------|
| Correction factor   | steel: 1 / stainless steel: 0.7 / brass: 0.5 / aluminium: 0.4 / copper: 0.3 |                   |
| Hysteresis [% of Sr]  | 3...15  |                   |
| Switch point drift [% of Sr]  | -10...10  |                   |
| Operating conditions  |   |                   |
| Ambient temperature [°C]  | -25...80  |                   |
| Protection  | IP 67   |                   |
| Tests / approvals   |   |                   |
| EMC   | EN 60947-5-2  |                   |
|   | EN 55011  | class B           |
| MTTF [years]  | 1296  |                   |
| UL approval   | Ta  | 0...40 °C         |
|   | Enclosure type  | Type 1            |
|   | voltage supply  | Hazardous voltage |
|   | File number UL  | E174191           |
| Mechanical data   |   |                   |
| Weight [g]  | 171   |                   |
| Housing   | rectangular   |                   |
| Mounting  | non-flush mountable   |                   |
| Dimensions [mm]   | 40 x 26 x 60  |                   |
| Materials   | PBT; PC   |                   |
| Displays / operating elements   |   |                   |
| Display   | switching status  | 2 x LED, yellow   |
| Accessories   |   |                   |
| Accessories (supplied)  | Reinforcement bracket   |                   |
|   | socket head screws: 2 x M5 x 35   |                   |
|   | washers: 2  |                   |
| Remarks   |   |                   |
| Remarks   | Suitable valves: valves according to NAMUR interface up to max. 20 W        |                   |
| Pack quantity   | 1 pcs.  |                   |
| Electrical connection - socket  |   |                   |
| Connector: 1 x M12  |   |                   |
|  |   |                   |
| Electrical connection - plug  |   |                   |
| Connector: 1 x Rd24   |   |                   |

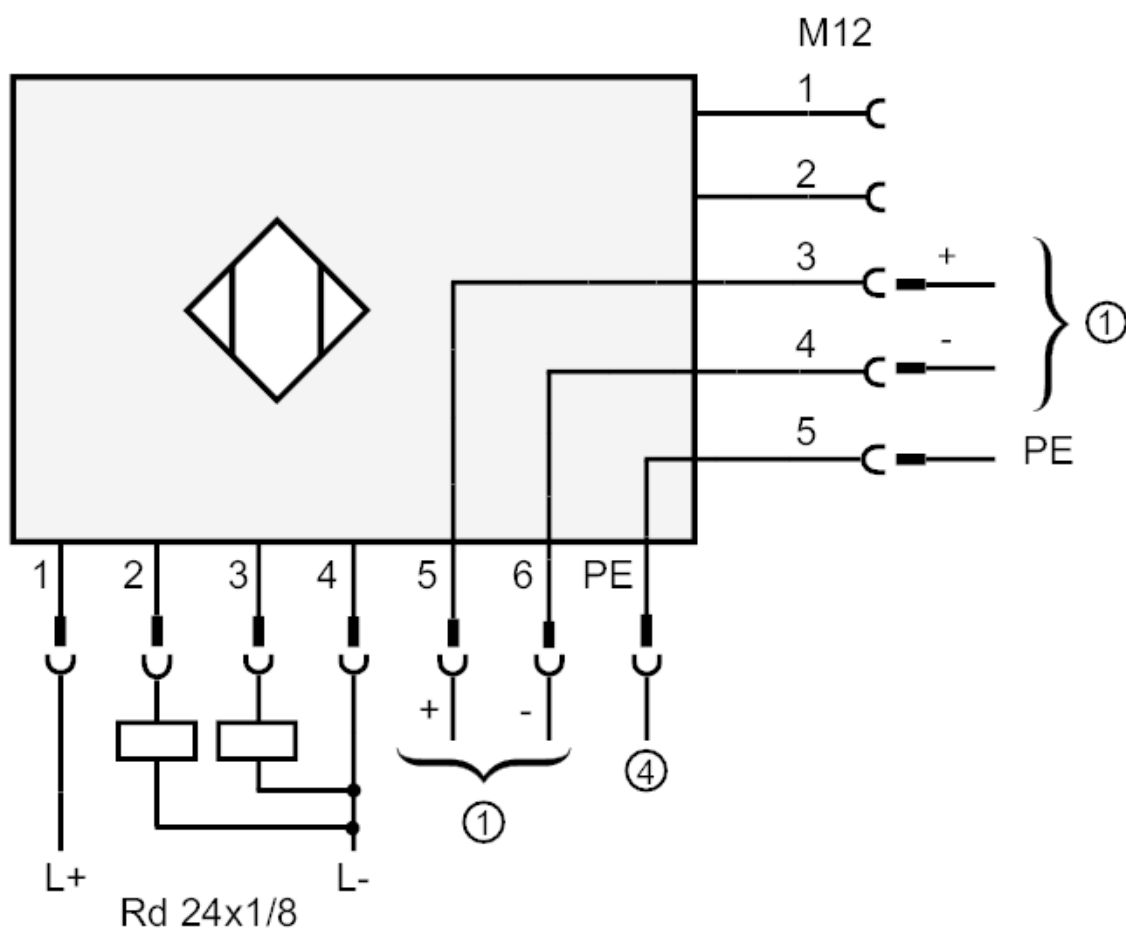
# IN5334

## Inductive dual sensor for valve actuators

IND3004DBPKG/T2



### Connection



1 = solenoid valve 24 V DC / 20 W